

Low Pressure Fittings





P050



BSP Female 60° cone - UniLock

146

P150



BSP 90° Swept elbow 60° cone - UniLock

146



BA



Steel ferrule

147



0345B



BSP Male - Flat Seat

148

0350B



BSP Male Parallel 60° cone

149



0051B



BSP Female 60° Cone

150

0151B



BSP 90° Swept Elbow 60° Cone

151

0251B



BSP 45° Swept Elbow 60° Cone

152



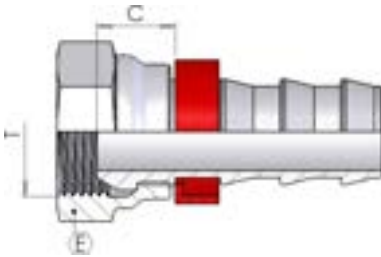
1350B



Metric Banjo

153

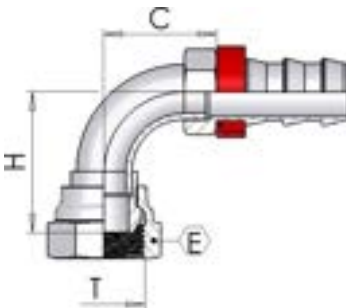
P050



BSP Female 60° cone - UniLock

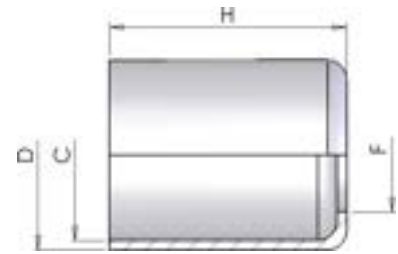
Product number	hose I.D.		Dimension			
	in	mm	dash size	T	E	Cut-off C
P050-04-04	1/4	6.4	04	1/4-19	17	10
P050-06-06	3/8	9.5	06	3/8-19	19	10
P050-08-08	1/2	12.7	08	1/2-14	27	13
P050-12-12	3/4	19	12	3/4-14	32	16
P050-16-16	1	25.4	16	1-11	38	15

P150



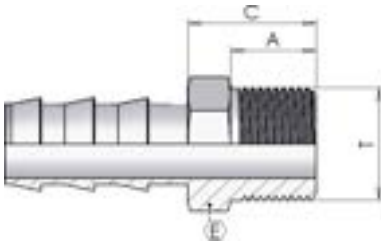
BSP 90° Swept elbow 60° cone - UniLock

Product number	hose I.D.		Dimension				
	in	mm	dash size	T	E	drop H	Cut-off C
P150-04-04	1/4	6.4	04	1/4-19	17	23	21
P150-06-06	3/8	9.5	06	3/8-19	19	29	31
P150-08-08	1/2	12.7	08	1/2-14	27	36	38
P150-12-12	3/4	19	12	3/4-14	32	65	54
P150-16-16	1	25.4	16	1-11	38	55	44

BA**Steel ferrule**

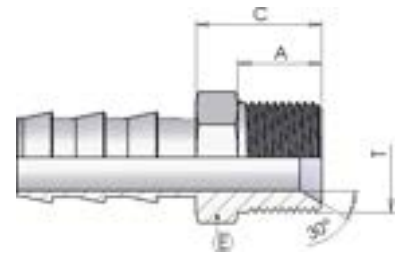
Product number	Dimension			
	D	C	F	H
BA-021-024	24	21	16	31
BA-024-027	27	24	18	31
BA-027-030	30	27	20	34
BA-029-032	32	29	21	35
BA-035-038	38	35	27	36
BA-037-040	40	37	28	38
BA-039-042	42	39	29	40
BA-046-050	50	46	34	46
BA-085-090	90	85	68	63
BA-095-100	100	95	78	68

0345B



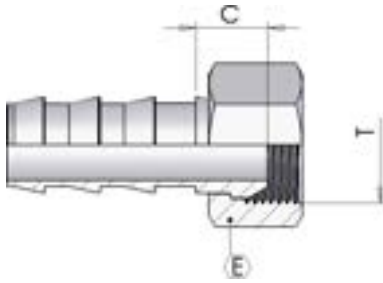
BSP Male - Flat Seat

Product number	hose I.D.		Dimension				
	in	mm	DN	T	A	E	Cut-off C
0345B04-02	1/4	6.4	06	1/8-18	10	14	16
0345B04-04	1/4	6.4	06	1/4-19	10	14	16
0345B05-04	5/16	7.9	08	1/4-19	10	14	16
0345B05-06	5/16	7.9	08	3/8-19	12	17	19
0345B06-04	3/8	9.5	10	1/4-19	10	17	16
0345B06-06	3/8	9.5	10	3/8-19	12	17	19
0345B06-08	3/8	9.5	10	1/2-14	13	22	21
0345B08-06	1/2	12.7	13	3/8-19	12	19	19
0345B08-08	1/2	12.7	13	1/2-14	13	22	21
0345B10-06	5/8	15.9	16	3/8-19	12	19	19
0345B10-08	5/8	15.9	16	1/2-14	13	22	21
0345B10-12	5/8	15.9	16	3/4-14	15	27	21
0345B12-08	3/4	19	19	1/2-14	13	24	21
0345B12-12	3/4	19	19	3/4-14	15	27	23
0345B12-16	3/4	19	19	1-11	16	34	25
0345B16-12	1	25.4	25	3/4-14	15	30	23
0345B16-16	1	25.4	25	1-11	16	34	25
0345B20-12	1.1/4	31.8	32	3/4-14	15	34	23
0345B20-16	1.1/4	31.8	32	1-11	16	36	26
0345B20-20	1.1/4	31.8	32	1.1/4-11	17	42	27
0345B24-20	1.1/2	38.1	38	1.1/4-11	17	42	27
0345B24-24	1.1/2	38.1	38	1.1/2-11	18	50	29
0345B32-32	2	50.8	50	2-11	19	60	31
0345B40-40	2.1/2	63.5	70	2.1/2-11	23	75	36

0350B**BSP Male Parallel 60° cone**

Product number	hose I.D.		Dimension				
	in	mm	DN	T	A	E	Cut-off C
0350B04-02	1/4	6.4	06	1/8-28	9	14	14
0350B04-04	1/4	6.4	06	1/4-19	10	19	16
0350B05-04	5/16	7.9	08	1/4-19	10	19	16
0350B06-04	3/8	9.5	10	1/4-19	10	19	16
0350B06-06	3/8	9.5	10	3/8-19	12	22	18

0051B

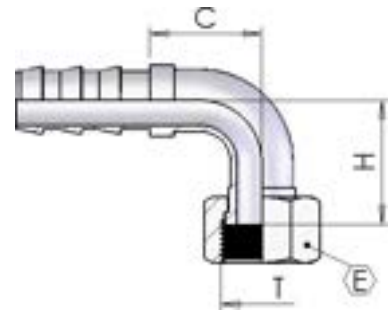


BSP Female 60° Cone

Product number	hose I.D.		Dimension			
	in	mm	DN	T	E	Cut-off C
0051B03-02	3/16	4.8	05	1/8-28	14	9
0051B04-02	1/4	6.4	06	1/8-28	14	9
0051B04-04	1/4	6.4	06	1/4-19	17	10
0051B05-04	5/16	7.9	08	1/4-19	17	10
0051B05-06	5/16	7.9	08	3/8-19	19	11
0051B06-06	3/8	9.5	10	3/8-19	19	11
0051B06-08	3/8	9.5	10	1/2-14	24	12
0051B08-06	1/2	12.7	13	3/8-19	19	11
0051B08-08	1/2	12.7	13	1/2-14	24	12
0051B10-08	5/8	15.9	16	1/2-14	24	12
0051B10-12	5/8	15.9	16	3/4-14	30	14
0051B12-12	3/4	19	19	3/4-14	30	14
0051B12-16	3/4	19	19	1-11	38	15
0051B16-16	1	25.4	25	1-11	38	16
0051B20-20	1.1/4	31.8	32	1.1/4-11	46	16
0051B20-24	1.1/4	31.8	32	1.1/2-11	55	18
0051B24-24	1.1/2	38.1	38	1.1/2-11	55	18
0051B32-32	2	50.8	50	2-11	65	19
0051B40-40	2.1/2	63.5	60	2.1/2-11	85	24
0051B48-48	3	76.2	70	3-11	100	26

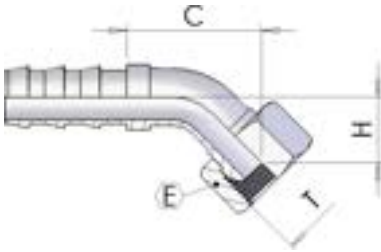
0151B

BSP 90° Swept Elbow 60° Cone



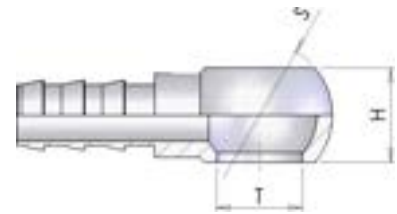
Product number	hose I.D.		Dimension				
	in	mm	DN	T	E	drop H	Cut-off C
0151B04-04	1/4	6.4	06	1/4-19	17	25	28
0151B05-04	5/16	7.9	08	1/4-19	17	25	28
0151B05-06	5/16	7.9	08	3/8-19	19	32	32
0151B06-06	3/8	9.5	10	3/8-19	19	33	33
0151B06-08	3/8	9.5	10	1/2-14	24	35	38
0151B08-06	1/2	12.7	13	3/8-19	19	35	38
0151B08-08	1/2	12.7	13	1/2-14	24	41	43
0151B08-12	1/2	12.7	13	3/4-14	30	45	40
0151B10-08	5/8	15.9	16	1/2-14	24	41	44
0151B10-12	5/8	15.9	16	3/4-14	30	45	40
0151B12-12	3/4	19	19	3/4-14	30	49	51
0151B12-16	3/4	19	19	1-11	38	49	45
0151B16-12	1	25.4	25	3/4-14	32	57	45
0151B16-16	1	25.4	25	1-11	38	58	60
0151B16-20	1	25.4	25	1.1/4-11	46	64	56
0151B20-20	1.1/4	31.8	32	1.1/4-11	46	66	70
0151B24-24	1.1/2	38.1	38	1.1/2-11	55	75	70
0151B32-32	2	50.8	50	2-11	65	70	66
0151B40-40	2.1/2	63.5	60	2.1/2-11	85	85	82

0251B



BSP 45° Swept Elbow 60° Cone

Product number	hose I.D.		Dimension				
	in	mm	DN	T	E	drop H	Cut-off C
0251B04-04	1/4	6.4	06	1/4-19	17	17	44
0251B05-06	5/16	7.9	08	3/8-19	19	19	50
0251B06-06	3/8	9.5	10	3/8-19	19	20	52
0251B06-08	3/8	9.5	10	1/2-14	24	23	54
0251B08-06	1/2	12.7	13	3/8-19	19	23	54
0251B08-08	1/2	12.7	13	1/2-14	24	25	60
0251B10-12	5/8	15.9	16	3/4-14	30	28	65
0251B12-12	3/4	19	19	3/4-14	30	28	65
0251B12-16	3/4	19	19	1-11	38	30	55
0251B16-16	1	25.4	25	1-11	38	30	74
0251B20-20	1.1/4	31.8	32	1.1/4-11	46	35	72
0251B24-24	1.1/2	38.1	38	1.1/2-11	55	35	72
0251B32-32	2	50.8	50	2-11	65	50	90

1350B**Metric Banjo**

Product number	hose I.D.		Dimension			
	in	mm	DN	hole T	H	S
1350B04-10	1/4	6.4	06	M10-1	11	17
1350B04-12	1/4	6.4	06	M12-1,5	12	20
1350B04-14	1/4	6.4	06	M14-1,5	14	24
1350B05-12	5/16	7.9	08	M12-1,5	12	20
1350B05-14	5/16	7.9	08	M14-1,5	14	24
1350B05-16	5/16	7.9	08	M16-1,5	19	28
1350B06-16	3/8	9.5	10	M16-1,5	19	28
1350B06-18	3/8	9.5	10	M18-1,5	20	32
1350B08-18	1/2	12.7	13	M18-1,5	20	32
1350B08-22	1/2	12.7	13	M22-1,5	23	36
1350B10-18	5/8	15.9	16	M18-1,5	20	32