



INTERPUMP

FLUID SOLUTIONS 

Powered by I.M.M. Hydraulics

**Premium
adaptors &
tube
connectors**

2023



Summary

HowToOrder.....	1
Traceability.....	2
Introduction.....	3
Metrica Adaptors.....	4
ORFS Adaptors.....	5
JIC Adaptors.....	6
BSP Adaptors.....	7
NPT/NPTF Adaptors.....	8
Surface treatments.....	9
Port and studs ends dimension.....	11
Tube size definition.....	19
Assembly Instructions.....	22
Adjustable fittings without reaitining ring.....	25
DKO Fittings.....	26
Weld on nipple.....	27
Assembly design and installation.....	30
Recommendations.....	31
Elastomeric Seal.....	34
Assembly Torque.....	36
Port end assembly.....	40
Appendix	44
Reference Standard.....	48



HOW TO ORDER

Code: 1700-12-12

Description: BSP Niple – Junction ¾"



Code: 1700-12-12NI

Description: BSP Niple – Junction ¾"
Zinc-Nickel Surface Treated



Code: X1700-12-12

Description: BSP Niple Junction ¾" Stainless
Steel (AISI 316L)



Codice: 7430-16SR-1NI

Description: DIN male stud coupling 16 S- G ½
(Form B ISO 1179-4) - BODY ONLY - (ZINC-NICKEL)



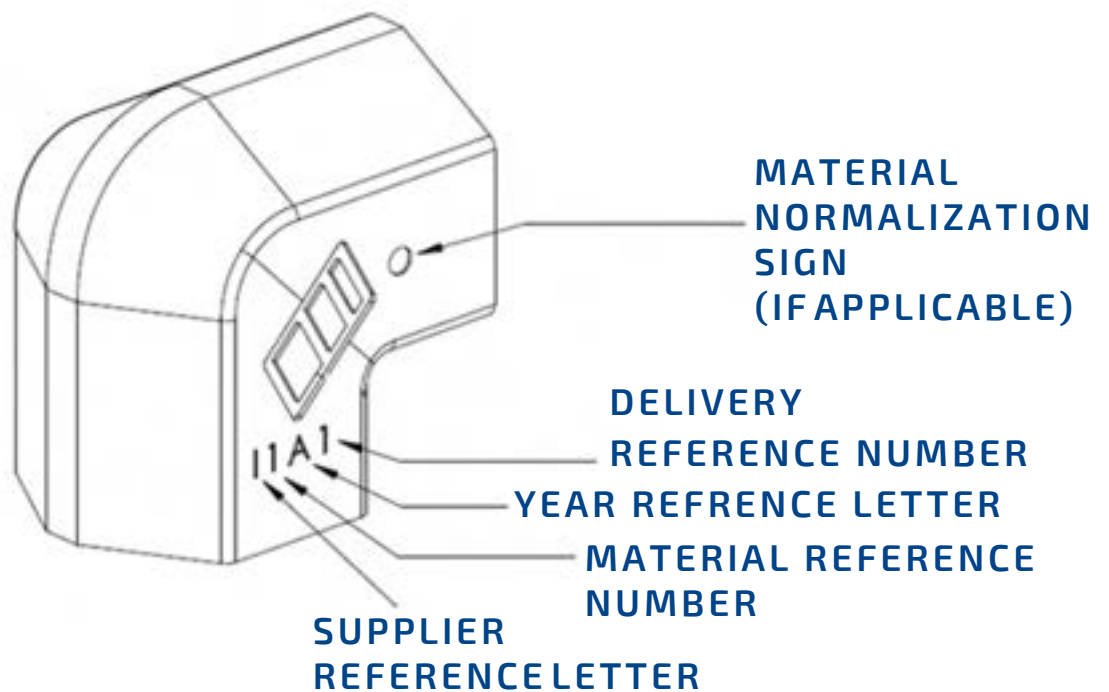
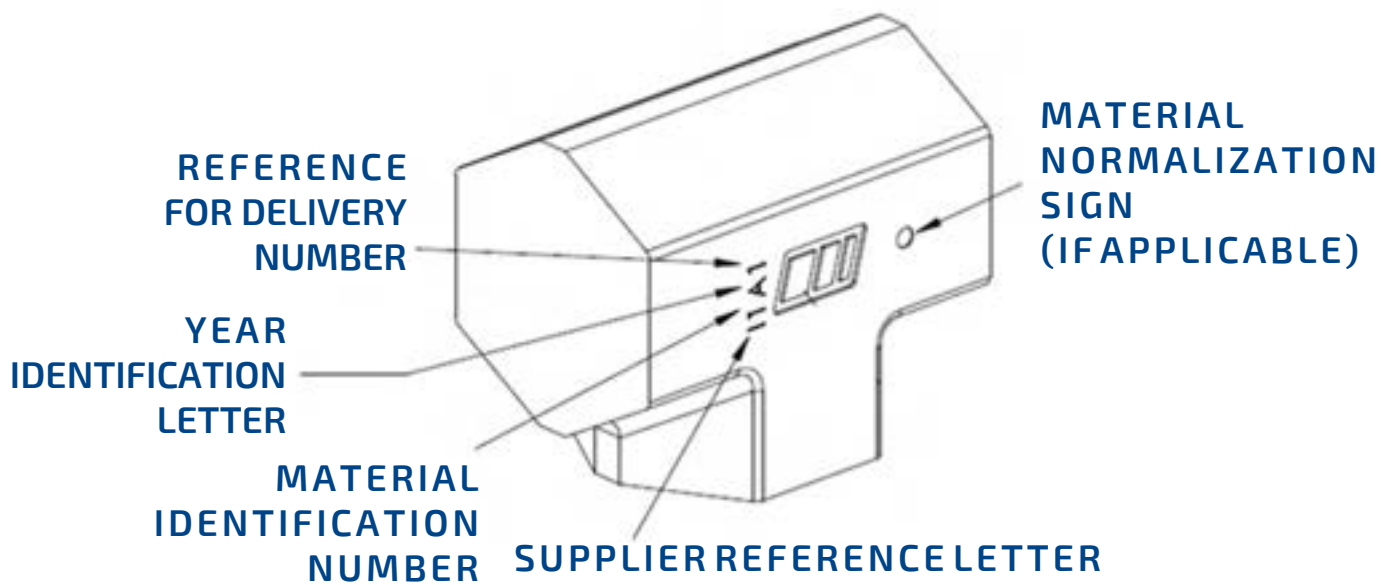
Codice: 7430-16SRNI

Description: DIN male stud coupling 16 S- G ½
(Form B ISO 1179-4) - (ZINC-NICKEL)

Note: with nut (cod. 7400) and cutting Ring (cod. 7410)

TRACEABILITY

Product Traceability is guaranteed by a dedicated stamping process developed by I.M.M Hydraulics Spa in order to trace material, supplier and batch number. This is a value-added feature in line with the company total quality management approach.



INTRODUCTION

Hydraulic Systems need adaptors installation to close and have an integrated and finished circuit.

Adaptors are used mainly to:

- Adjust the thread dimensions (by increasing or reducing them);
- Change the thread: connection type change to have an easier flexible hoses connection or rigid pipe installation;
- Adjust tubes end: tube-to-fittings connection, tube – to – tube connection.
- Plug-in the circuit.

Adaptors can have the following thread configuration: metric, BSPP, BSPT, SAE, UN/UNF, NPT/NPTF

Thread	Reference Standard
Metric	ISO 261, ANSI B1.13M
BSPP	BS 2779, ISO 228/1
BSPT	BS21, ISO 7/1
NPT	ANSI B1.21.1
NPTF	SAE J476, ANSI B1.20.3
NPSM	ANSI B1.20.1
UN/UNF	ANSI B1.1

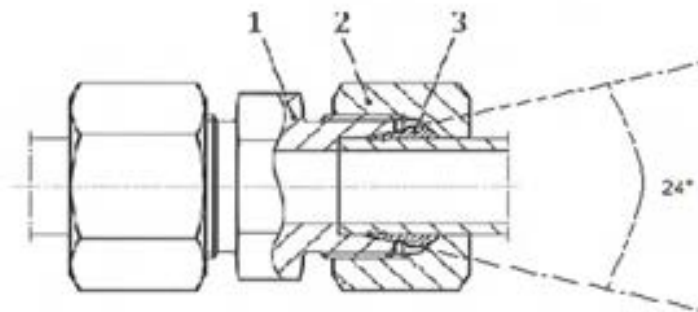
Connection Type and Reference Standard

METRIC ADAPTORS

Usually called as DIN, metric adaptors comply with DIN 2353, DIN 3861 e DIN 3859 - ISO 8434-1 reference std.

Leakage resistance guaranteed by sealing angled faces at 24°, con o senza o-ring (metal-to-metal sealing). Thread type is metric.

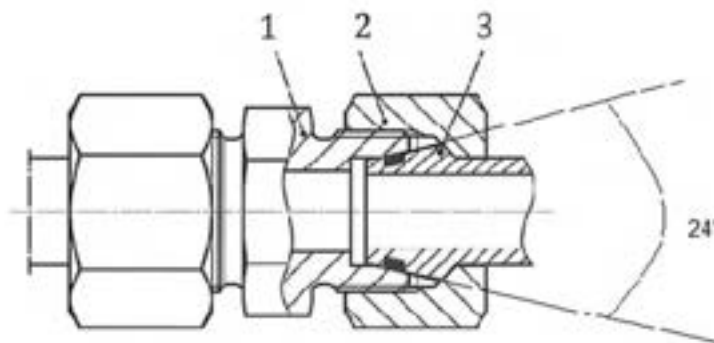
cross section typical 24° cone connector with cutting ring



KEY

- 1 - body
- 2 - nut
- 3 - cutting ring

cross section of typical 24° cone connector with O-Ring seal cone (DKO) end



KEY

- 1 - corpo
- 2 - dado
- 3 - terminale DKO (con o-ring)

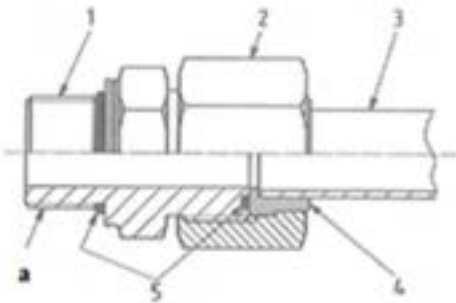
Metric adaptors are largely used by OEM in agriculture and industrial field. The related sealing system provides high pressure performance level, high leakage resistance, good high torque value resistance and the possibility to perform repetitive assembly and disassembly provided that O-ring is replaced.

ORFS ADAPTERS

ORFS adaptors comply with ISO 8434-2 and SAE J1453. This connection type is designed to provide the best sealing at the higher pressure. Sealing is guaranteed by the male O-ring compression on the flat female surface.

The mechanical joint is assured by the UN/UNF thread.

Cross section and components of typical O -Ring face seal connector body



KEY

- 1 - straight stud connector body
- 2 - tube nut
- 3 - tube
- 4 - braze-on sleeve
- 5 - o-ring

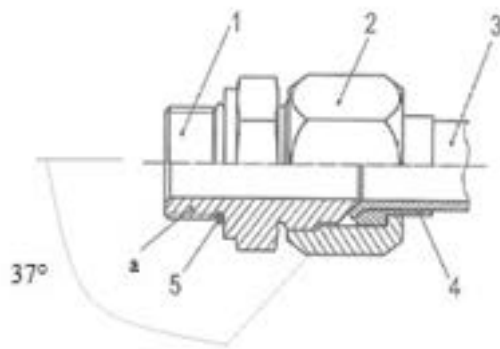
a - Stud end in accordance with ISO 6149-2

ORFS adaptors are mainly used in US and UE market and they are widely used by ground movement machines OEM. Sealing system assures excellent performances in high pressure and vibration condition, leakage resistance, good high torque value resistance and provides the possibility to perform repetitive assembly and disassembly if O-Ring replaced.

JIC ADAPTERS

Usually called as JIC these adaptors comply with ISO 8434-2 and SAE J514. Sealing guaranteed by metal-to-metal joint with a flared angle of 37° without components deformation. Thread are straight UN/UNF type.

cross section of typical 37° flared connection



KEY

- 1 - straight stud connection body
- 2 - tube nut
- 3 - tube
- 4 - sleeve
- 5 - o-ring

a - Stud end in accordance with ISO 1179-3, ISO 6149, ISO 9974-2 or ISO 11926-3

JIC adaptors are mainly used in US market for industrial field. Sealing type assured good performance at high pressure condition.

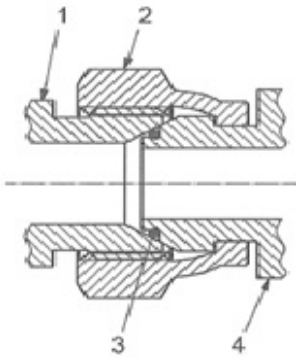
BSP ADAPTERS

The related reference standards are BS5200 and ISO 8434-6. On BSPP connection the sealing is guaranteed by metal to metal surface contact with a surface angle of 60°.

On BSPT connection the sealing is guaranteed by the thread and for this reason it is necessary to add a sealing material.

La forma della filettatura ha un semiangolo dei fianchi di 55 gradi.

Sezione di una tipica connessione 60° con O-Ring



KEY

- 1 - male
- 2 - nut
- 3 - o-ring
- 4 - female connector

BSP connection is widely used in Europe, Japan and Commonwealth area for industrial applications.

NPT/NPTF ADAPTERS

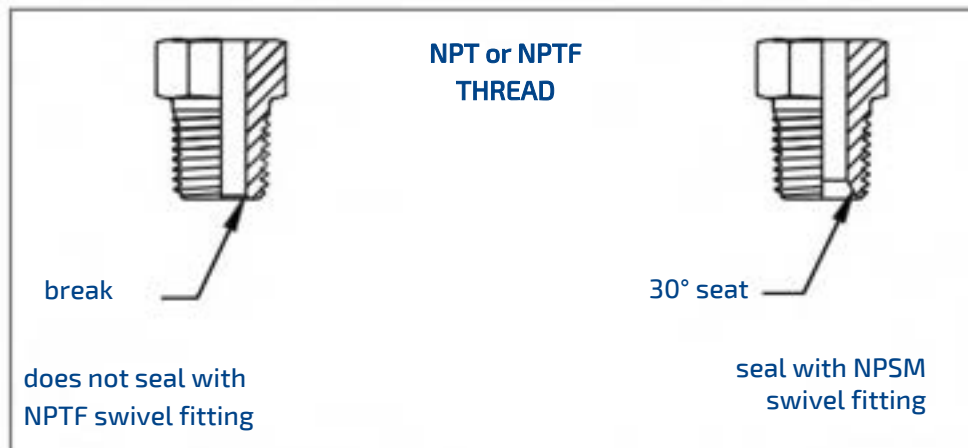
Adapters NPT/NPTF conform to ANSI B1.21.1 e SAE J476, ANSI B1.20.3. Sono caratterizzati da filettature coniche, con semiangolo dei fianchi di 60 gradi.

In the NPT / NPTF connection, the seal is carried out on the thread with the aid of appropriate sealing materials.

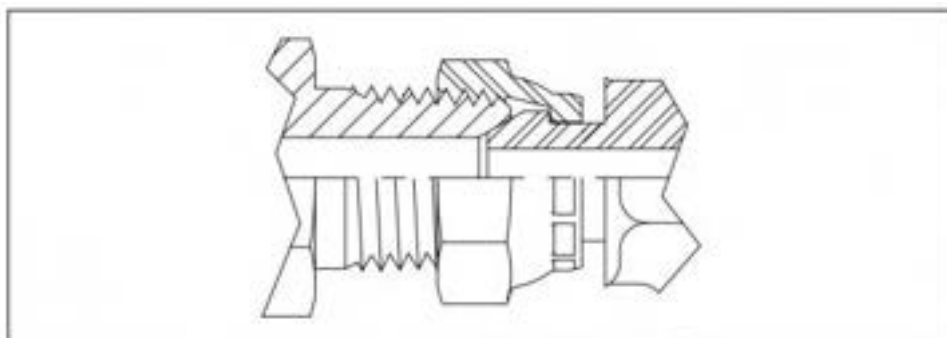
If a 30 ° half-angle is made on the nipple, the seal can be carried out in conjunction with a NPSM swivel female.

The NPT/NPTF connection is mostly used in the USA, where it is mainly used in the industrial sector for the transfer of fluids under pressure.

The sealing system guarantees good performance with medium-high pressures in static conditions, for dynamic applications, especially for sizes greater than 1" it is advisable to use other types of connections.



The illustration shows the 30 ° seat on the NPT / NPTF threads necessary for the NPSM swivel fitting to seal.



The illustration shows how the NPSM swivel adapters seal onto the corresponding groove in the male NPT thread.

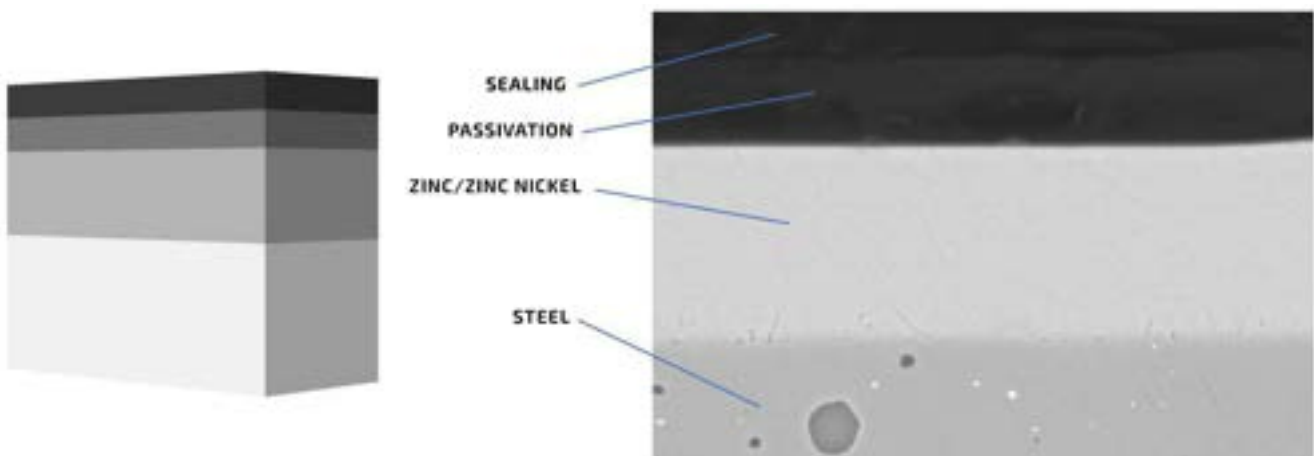
SURFACE TREATMENTS

Interpump Fluid Solutions makes use of its own plants for the realization of surface treatments such as «standard» zinc and nickel zinc, ensuring the high quality and performance standards required by the market.



Our systems ensure a low environmental impact by complying with the most stringent standards in terms of environment and safety.

The hexavalent chromium-free passivation ensures a low environmental impact. In addition to increasing the performance of the product, the sealing is designed to ensure low coefficient of friction values.



The available solutions ensure high reliability in all work environments:

«Standard» zinc treatment in accordance with ISO 2081 Fe / Zn8 / C / T2 specification

The standard zinc treatment, with a minimum thickness of pure zinc of 8µm and white passivation, ensures a corrosion resistance higher than the market standard.

The appearance is matte metallic.



FINISHING	THICKNESS	MINIMUM RESISTANCE RED RUST
White zinc-plating without Cr VI No Seal	>8	>400 h

Zn-Ni treatment in accordance with the ISO 19598 specification Fe // ZnNi8 // An // T2

The zinc nickel treatment (Zn-Ni alloy coating (Ni 12% -16%, thickness 8-12 microns) has a gray-blue color with slight iridescence.

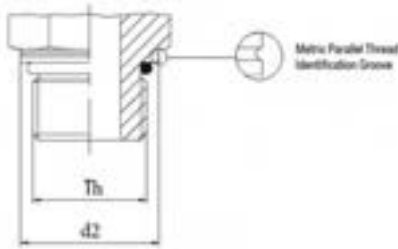
It is indicated when a high resistance to corrosion is required in severe exposure conditions.

Zinc nickel treatment is offered std for DIN 2353 - ISO 8434-1 adapters



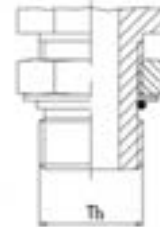
FINISHING	THICKNESS	MINIMUM RESISTANCE RED RUST
Trasparent-blue (colorless), passivation based on trivalent chromium (chromium VI free)	>8	>720 h

PORT AND STUD ENDS DIMENSION



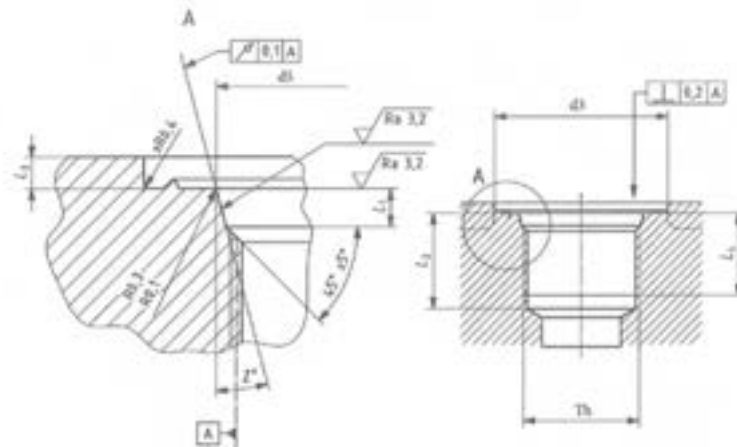
Non- Adjustable

**Metric Parallel Thread
ISO 6149-2/-3**



Adjustable

**Metric Parallel Thread
ISO 6149-2/-3**



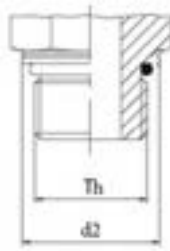
Port (Parallel Thread)

Male Stud Metric Thread ISO 6149-1

Dimensions	[mm]								[degree]
Th	d ₂	d ₃ wide min.	d ₃ narrow min.	d ₅ +0,1	L ₃ max.	L ₁ +0,4	L ₂ min.	L ₄ min.	Z° +/-1°
M8x1	11,8	17	14	9,1	1	1,6	11,5	10	12
M10x1	13,8	20	16	11,1	1	1,6	11,5	10	12
M12x1,5	16,8	23	19	13,8	1,5	2,4	14	11,5	15
M14x1,5	18,8	25	21	15,8	1,5	2,4	14	11,5	15
M16x1,5	21,8	28	24	17,8	1,5	2,4	15,5	13	15
M18x1,5	23,8	30	26	19,8	2	2,4	17	14,5	15
M22x1,5	26,8	33	29	23,8	2	2,4	18	14,5	15
M27x1,5	31,8	40	34	29,4	2	3,1	22	19	15
M30x2	35,8	44	38	32,4	2	3,1	22	19	15
M33x1,5	40,8	49	43	35,4	2,5	3,1	22	19	15
M42x2	49,8	58	52	44,4	2,5	3,1	22,5	19,5	15

**Sealing with O-Ring for non-adjustable and O-ring with washer for adjustable.
For all new designs ISO Technical Committee recommends ISO 6149 connection type.**

PORT AND STUD ENDS DIMENSION



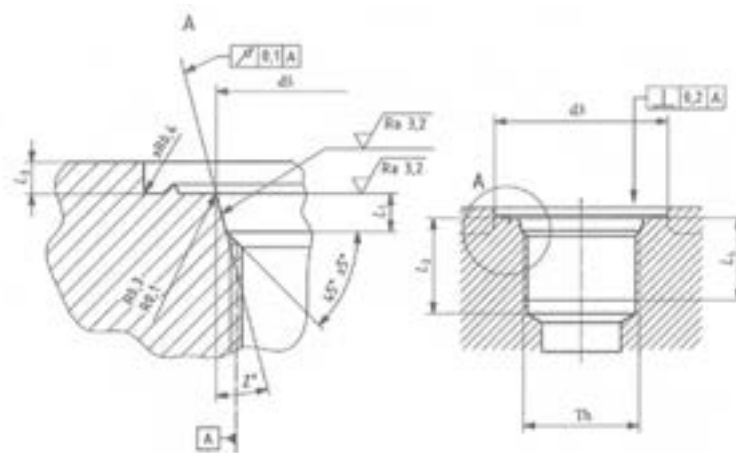
Non- Adjustable

**Thread UN/UNF
ISO 11926-2/-3**



Adjustable

**Thread UN/UNF
ISO 11926-2/-3**

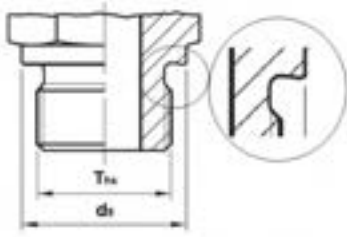


Port (Parallel Thread)

Male Stud UN/UNF Thread ISO 11926-1 (SAE J1926-1)

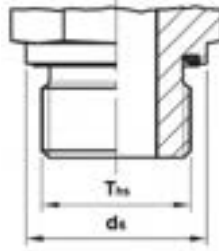
Dimensions	[mm]							[degree]
Th	d ₂	d ₃ min.	d ₅ +/-0,05	L ₃ max.	L ₁ +0,4	L ₂ min.	L ₄ min.	Z° +/-1°
3/8-24 UNF-2A	11,8	19	10,75	1,6	1,9	12	10	12
7/16-20 UNF-2A	13,8	21	12,45	1,6	2,4	14	11,5	12
1/2-20 UNF-2A	16,8	23	14,05	1,6	2,4	14	11,5	12
9/16-18 UNF-2A	16,8	25	15,7	1,6	2,5	15,5	12,7	12
3/4-16 UNF-2A	21,8	30	20,65	2,4	2,5	17,5	14,3	15
7/8-14 UNF-2A	26,8	34	23,9	2,4	2,5	20	16,7	15
11/16-12 UN-2A	26,8	41	29,2	2,4	3,3	23	19	15
13/16-12 UN-2A	31,8	45	32,4	2,4	3,3	23	19	15
15/16-12 UN-2A	40,8	49	35,55	3,2	3,3	23	19	15
15/8-12 UN-2A	49,8	58	43,55	3,2	3,3	23	19	15
17/8-12 UN-2A	54,8	65	49,9	3,2	3,3	23	19	15

**Sealing with O-Ring for non-adjustable and O-ring with washer for adjustable.
For all new designs ISO Technical Committee recommends ISO 6149 connection type.
Male stud conforming to ISO 11926-3 and 11926-2 are identical to those conforming to SAE J514 and SAE J1453 respectively.**



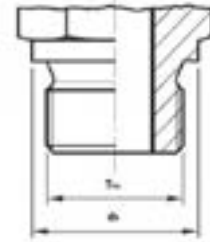
Metallic Sealing Edge

Metric Parallel Thread
ISO 9974-3 (Type B)



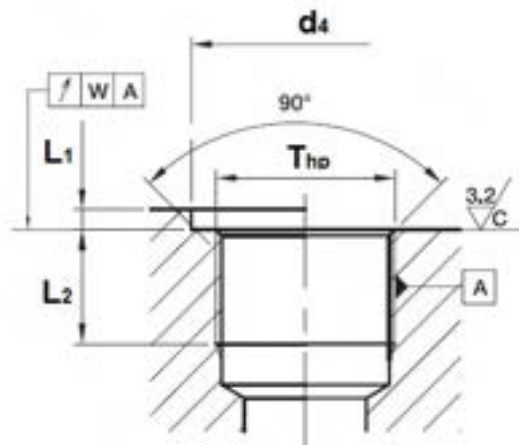
Sealing Ring

Metric Parallel Thread
ISO 9974-2 (Type E)



**Sealing: Sealing washer DIN 7603
(e.g. copper)**

Metric Parallel Thread: DIN 3852-1
(Form A)

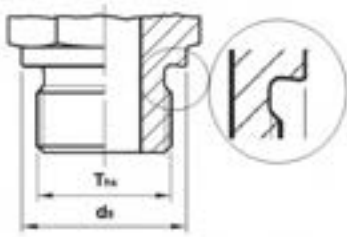


Port (Parallel Thread)

For Male Stud Metric Thread ISO 9974-1

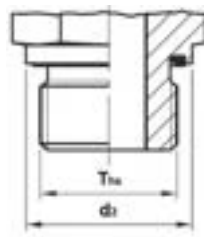
Dimensions	[mm]					
T_{hp} / T_{hs}	d_s	d_e	$d_{4 \text{ min.}}$	$L_{1 \text{ max.}}$	$L_{2 \text{ min.}}$	W
M8 x 1	12	-	13	1	8	0,1
M10 x 1	14	13,9	15	1	8	
M12 x 1,5	17	16,9	18	1,5	12	
M14 x 1,5	19	18,9	20	1,5	12	
M16 x 1,5	21	21,9	23	1,5	12	
M18 x 1,5	23	23,9	25	2	12	
M20 x 1,5	25	25,9	27	2	14	
M22 x 1,5	27	26,9	28	2,5	14	
M26 x 1,5	31	31,9	33	2,5	16	0,2
M27 x 2	32	31,9	33	2,5	16	
M33 x 2	39	39,9	41	2,5	18	
M42 x 2	49	49,9	51	2,5	20	
M48 x 2	55	54,9	56	2,5	22	

Sealing with O-Ring for Type E and with metal-to-metal joint for Type B.



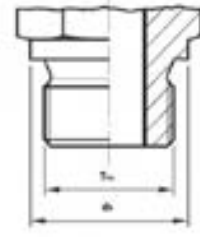
Metallic Sealing Edge

BSPP Thread ISO 1179-4
(Type B)



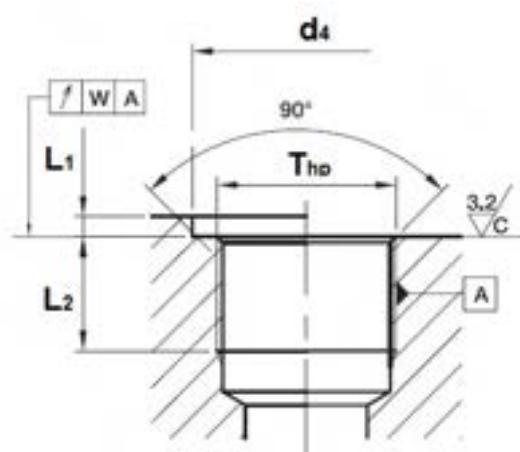
Sealing Ring

BSPP Thread ISO 1179-2
(Type E)



Sealing: Sealing washer DIN 7603,
(e.g. copper)

Filettatura BSPP: DIN 3852-1 (Form
A)

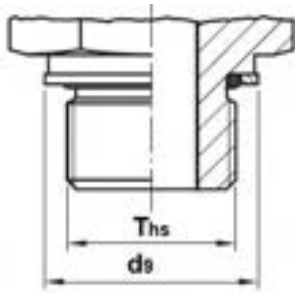


Port (Parallel Thread)

For Male Stud BSPP Thread ISO 1179-1

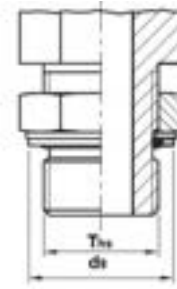
Dimensions	[mm]						
T_h	d_s	d_2	$d_{4 \text{ min.}}$	$d_{4 \text{ min. wide}}$	$L_{1 \text{ max.}}$	$L_{2 \text{ min.}}$	W
G 1/8 A	14	13,9	15	17,2	1	8,5	0,1
G 1/4 A	18	18,9	20	20,7	1,5	12,5	0,1
G 3/8 A	22	21,9	23	24,5	2	12,5	0,1
G 1/2 A	26	26,9	28	29,6	2,5	15	0,1
G 3/4 A	32	31,9	33	36,9	2,5	16,5	0,2
G 1 A	39	39,9	41	46,1	2,5	19	0,2
G 1 1/4 A	49	49,9	51	54	2,5	21,5	0,2
G 1 1/2 A	55	54,9	56	60,5	2,5	22,5	0,2

Sealing with O-Ring for Type E and with metal-to-metal joint for Type B.



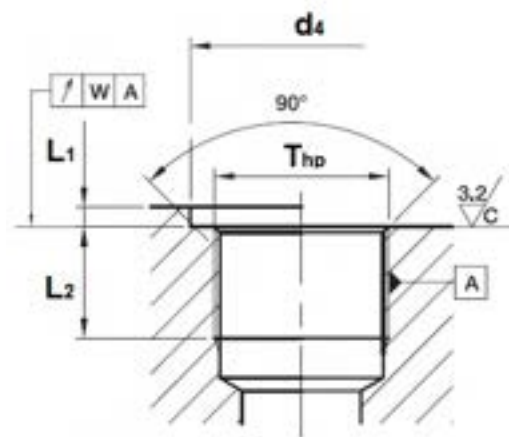
Male stud Type G
(non-adjustable with retaining ring)

BSPP Thread ISO 1179-3



Male stud Type H
(adjustable with retaining ring)

BSPP Thread ISO 1179-3

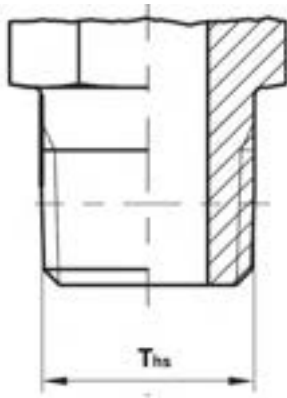


Port (Parallel Thread)

For Male Stud GAS Thread ISO 1179-1

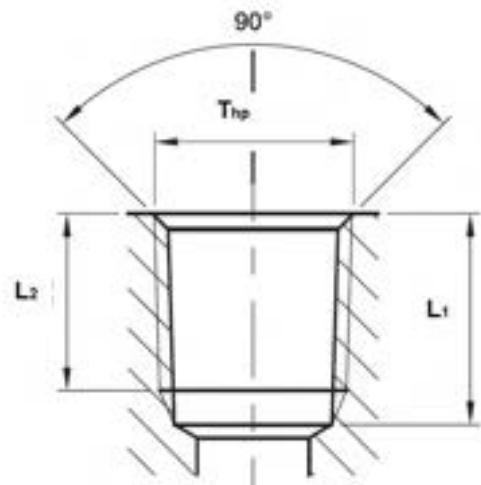
Dimensions	[mm]					
T_h / T_{hs}	$d_9 \pm 0.1$	d_4 min. narrow	d_4 min. wide	L_1 max.	L_2 min	W
G 1/8 A	15	15	17,2	1	8,5	0,1
G 1/4 A	19,8	20	20,7	1,5	12,5	0,1
G 3/8 A	23,5	23	24,5	2	12,5	0,1
G 1/2 A	28,5	28	29,6	2,5	15	0,1
G 3/4 A	34,5	33	36,9	2,5	16,5	0,2
G 1 A	43,5	41	46,1	2,5	19	0,2
G 1 1/4 A	52,5	51	54	2,5	21,5	0,2
G 1 1/2 A	60	56	60,5	2,5	22,5	0,2

Sealing with O-Ring and retaining ring.



non-adjustable male stud NPT/NPTF Tapered Thread

SAE J476 - ANSI/
ASME B1.20.1 /
ANSI /ASME B 1.20.3



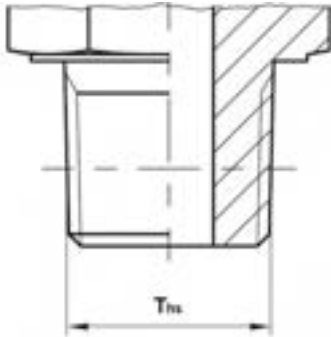
Port (Parallel Thread)

For Male Stud NPT /F Parallel

Dimensions	[mm]	
$T_{hs} - T_{hp}$	L_{1min}	L_{2min}
1/8-27 NPT/F	11,6	6,9
1/4-18 NPT/F	16,4	10,0
3/8-18 NPT/F	17,4	10,3
1/2-14 NPT/F	22,6	13,6
3/4-14 NPT/F	23,1	14,1
1-11 1/2 NPT/F	27,8	16,8
1.1/4"-11 1/2 NPT/F	28,3	17,3
1.1/2-11 1/2 NPT/F	28,3	17,3

Sealing with thread. It is necessary to use a sealing material. Repetitive assembly is not recommended.

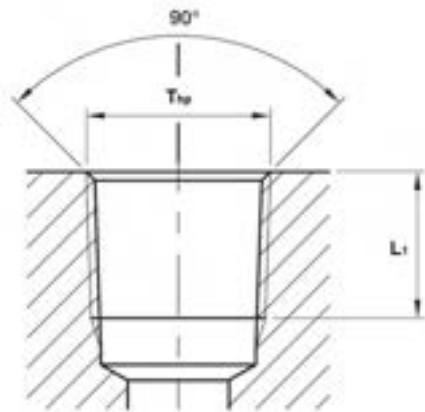
It is not recommended to use a tapered male thread in a parallel female thread.



BSPT Tapered Thread

ISO 7/1 – BS 21

DIN 3852-2 (standard)

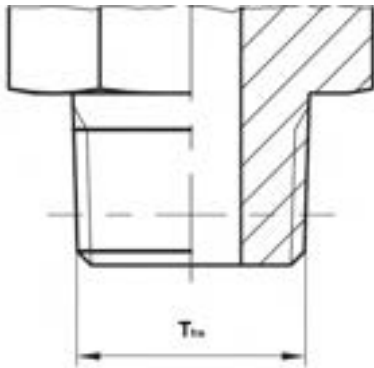


Port (Tapered Thread

For Male Stud with BSPT Thread

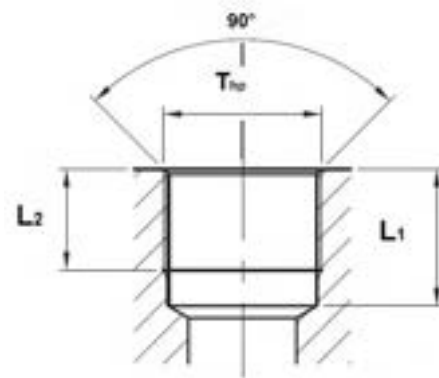
Dimensions	[mm]	
T_{hs}	T_{hp}	L_{tmin}
R 1/8-28	R 1/8	7,4
R 1/4-19	R 1/4	11,0
R 3/8-19	R 3/8	11,4
R 1/2-14	R 1/2	15,0
R 3/4-14	R 3/4	16,3
R 1-11	R 1	19,0
R 1 1/4-11	R 1 1/4	21,4
R 1 1/2 -11	R 1 1/2	21,4

Sealing with thread. Repetitive assembly is not recommended.



Tapered Thread

Metric DIN 3852-1



Port (Parallel Thread)

For Male Stud with Metric Tapered Thread

Dimensions		[mm]	
T_{hs}	T_{hp}	$L_{1 \text{ min}}$	$L_{2 \text{ min}}$
M8 x 1 t.	M8 x 1	10,0	5,5
M10 x 1 t.	M10 x 1	10,0	5,5
M12 x 1,5 t.	M12 x 1,5	13,5	8,5
M14 x 1,5 t.	M14 x 1,5	13,5	8,5
M16 x 1,5 t.	M16 x 1,5	13,5	8,5
M18 x 1,5 t.	M18 x 1,5	13,5	8,5
M20 x 1,5 t.	M20 x 1,5	15,5	10,5
M22 x 1,5 t.	M22 x 1,5	15,5	10,5

Sealing with thread short. Repetitive assembly is not recommended. Necessary sealing materials.

TUBE SIZE DIFINITION

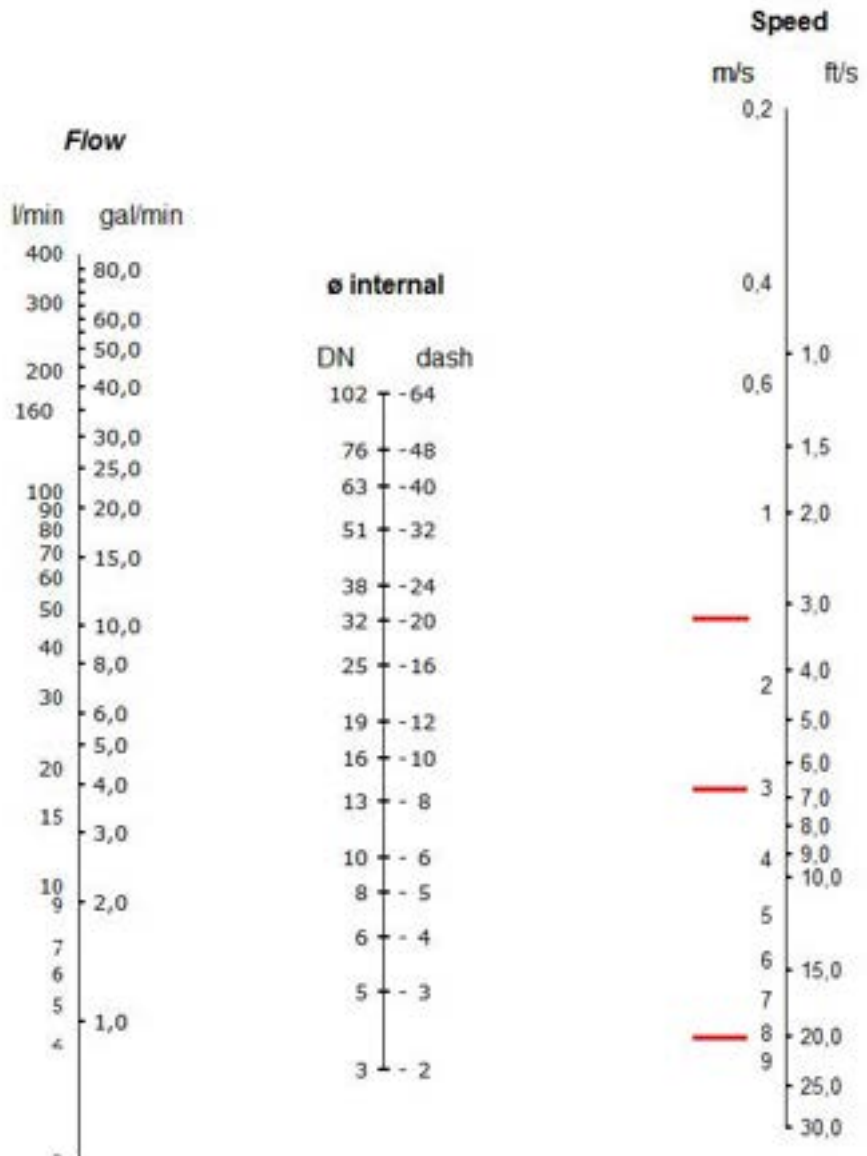
In tube design and definition it is necessary to consider the following aspects:

- Internal Diameter definition;
- Wall thickness definition.

Here below a normogram and DIN 2413 / ISO 10763 pressure reference table are reported.

Recommended line speed:

Pressure lines: 3 - 8 m/s
 return line: 1,5 - 3 m/s
 Suction lines 0,5 - 1,5 m/s
 Pilot lines: max 5 m/s



CALCULATED TUBE WORKING/BURST PRESSURE

Tube OD [mm]	TUBE ID [mm]	Wall thk [mm]	Working pressure calculated [bar] iaw DIN 2413 – Load configuration I (static loads up to 120°C)		Working pressure calculated [bar] iaw DIN 2413 – Load configuration III (dynamic loads up to 120°C)		Burst pressure [bar] iaw ISO 10763	
			Material E235+N	Material E355	Material E235+N	Material E355	Material E235+N	Material E355
6	4,5	0,75	338	491	303	310	1116	1525
6	4	1	450	655	391	400	1573	2149
6	3	1,5	675	983	551	563	2689	3674
6*	2	2	900	1310	692	708	4263	5823
6*	1,5	2,25	1013	1474	757	774	5379	7347
8	6	1	338	491	303	310	1116	1525
8	5	1,5	506	737	433	443	1824	2491
8	4	2	675	983	551	563	2689	3674
8*	3	2,5	844	1228	659	673	3806	5198
10	8	1	270	393	248	253	866	1183
10	7	1,5	405	590	357	365	1384	1890
10	6	2	540	786	458	468	1982	2707
10	5	2,5	675	983	551	563	2689	3674
10*	4	3	810	1179	638	652	3555	4856
12	10	1	225	328	209	214	707	966
12	9	1,5	338	491	303	310	1116	1525
12	8	2	450	655	391	400	1573	2149
12	7	2,5	563	819	474	484	2091	2857
12	6	3	675	983	551	563	2689	3674
12*	5	3,5	823	1180	624	638	3397	4640
12*	4	4	940	1348	692	708	4263	5823
14	12	1	193	281	181	185	598	817
14	11	1,5	289	421	264	270	936	1278
14	10	2	386	561	342	349	1306	1783
14	9	2,5	482	702	415	425	1714	2342
14	8	3	579	842	485	496	2171	2966
14	7	3,5	705	1011	551	563	2689	3674
15	13	1	180	262	170	174	555	758
15	12	1,5	270	393	248	253	866	1183
15	11	2	360	524	321	329	1203	1644
15	10	2,5	450	655	391	400	1573	2149
15	9	3	540	786	458	468	1982	2707
16	14	1	169	246	160	163	518	708
16	13	1,5	253	368	233	239	806	1100
16	12	2	338	491	303	310	1116	1525
16	11	2,5	422	614	370	378	1454	1986
16	10	3	506	737	433	443	1824	2491
16	8	4	705	1011	551	563	2689	3674
18	16	1	150	218	143	146	457	624
18	15	1,5	225	328	209	214	707	966
18	14	2	300	437	273	279	975	1332
18	13	2,5	375	546	333	341	1263	1725
18	12	3	450	655	391	400	1573	2149
18	10	4	627	899	500	511	2281	3115
20	17	1,5	203	295	190	194	631	861
20	16	2	270	393	248	253	866	1183
20	15	2,5	338	491	303	310	1116	1525
20	14	3	405	590	357	365	1384	1890
20	13	3,5	494	708	408	417	1671	2283
20	12	4	564	809	458	468	1982	2707
20	10	5	705	1011	551	563	2689	3674

CALCULATED TUBE WORKING/BURST PRESSURE

Tube OD [mm]	TUBE ID [mm]	Wall thk [mm]	Working pressure calculated [bar] iaw DIN 2413 – Load configuration I (static loads up to 120°C)		Working pressure calculated [bar] iaw DIN 2413 – Load configuration III (dynamic loads up to 120°C)		Burst pressure [bar] iaw ISO 10763	
			Material E235+N	Material E355	Material E235+N	Material E355	Material E235+N	Material E355
22	20	1	123	179	118	121	370	505
22	19	1,5	184	268	173	177	569	777
22	18	2	245	357	227	232	779	1064
22	17	2,5	307	447	278	285	1000	1366
22	16	3	368	536	328	335	1236	1688
22	15	3,5	449	643	376	384	1486	2030
22	14	4	513	735	422	431	1754	2396
25	22	1,5	162	236	154	157	496	678
25	21	2	216	314	201	206	676	924
25	20	2,5	270	393	248	253	866	1183
25	19	3	324	472	292	299	1065	1455
25	18	3,5	395	566	336	343	1275	1741
25	17	4	451	647	378	386	1496	2044
25	16	4,5	508	728	418	428	1732	2365
25	15	5	564	809	458	468	1982	2707
28	25	1,5	145	211	138	141	440	601
28	24	2	193	281	181	185	598	817
28	23	2,5	241	351	223	228	763	1043
28	22	3	289	421	264	270	936	1278
28	21	3,5	353	506	303	310	1116	1525
28	20	4	403	578	342	349	1306	1783
30	26	2	180	262	170	174	555	758
30	25	2,5	225	328	209	214	707	966
30	24	3	270	393	248	253	866	1183
30	23	3,5	329	472	285	291	1031	1408
30	22	4	376	539	321	329	1203	1644
30	20	5	470	674	391	400	1573	2149
30	18	6	564	809	458	468	1982	2707
35	32	1,5	121	173	111	114	348	475
35	31	2	161	231	147	150	471	643
35	30	2,5	201	289	181	185	598	817
35	29	3	242	347	215	220	730	997
35	27	4	322	462	280	286	1007	1375
35	25	5	403	578	342	349	1306	1783
38	34	2	148	213	136	139	432	589
38	33	2,5	186	266	168	171	547	748
38	32	3	223	319	199	203	667	911
38	30	4	297	426	260	265	917	1253
38	28	5	371	532	318	325	1185	1619
38	26	6	445	639	373	382	1472	2011
38	24	7	519	745	427	436	1783	2436
38	22	8	594	851	478	488	2121	2897
42	39	1,5	101	144	93	96	288	393
42	38	2	134	193	123	126	388	530
42	37	2,5	168	241	153	156	492	672
42	36	3	201	289	181	185	598	817
42	34	4	269	385	237	242	820	1120
42	32	5	336	481	290	297	1041	1441

ASSEMBLY INSTRUCTIONS

ISO 8434-1/DIN2353 – Assembly Instructions

1.Preparation of tube

- Cut tube off at a right angle. A maximum angular deviation of $0,5^\circ$ relative to the tube axis is permissible.

NOTE

Do not use pipe cutters or cutting off wheels as they cause severe burring and angular cuts. Use of a precision cut-off machine or device is recommended.

- Lightly deburr tube ends inside and out (maximum $0.2 \times 45^\circ$) and clean them.

NOTE

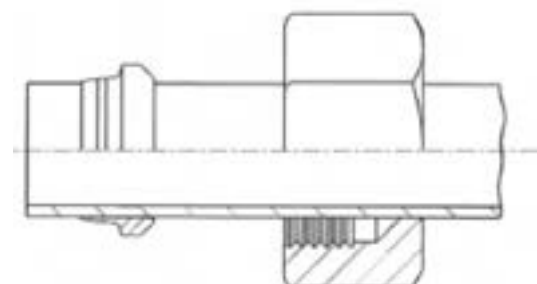
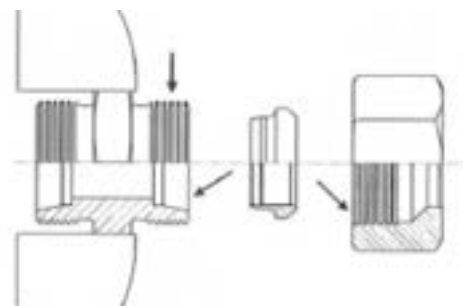
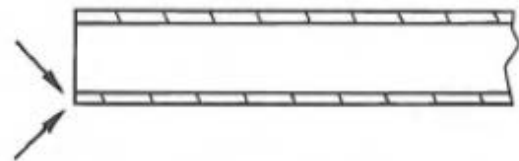
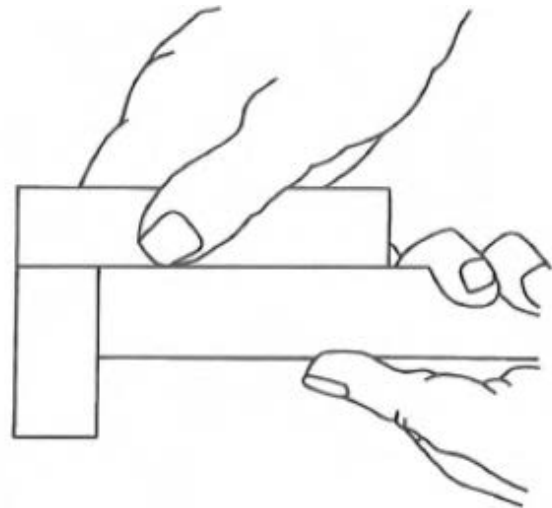
Thin-walled tubes may require supportive inserts. Any deformation or irregularity such as inclined sawed-off tubes or excessively deburred tubes reduce the integrity, life expectancy and the sealing of the connection.

2.Lubrication and orientation

- Lubricate thread and 24° cone of the body and the thread of the nut

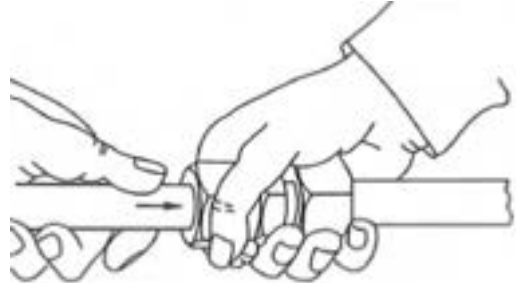
- Place nut and cutting ring on the tube with the cutting edge towards the tube end.

NOTA: Ensure that the cutting ring is facing the correct direction to prevent assembly error.



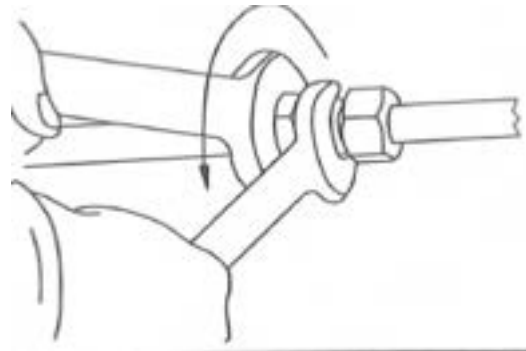
3. Initial Assembly

- Assemble the but by hand until contact of the body, cutting ring and nut becomes noticeable
- Insert the tube into the connector body so the tube bottoms out on the tube stop. The tube shall touch the tube stop to ensure that the cutting ring bites into the tube correctly.



4. Tightening Pre-Assembly:

- After inserting the tube inside the connector body Tighten the nut with a wrench by hand until the cutting ring stays stopped.
- Tighten the nut with a wrench until cutting ring contact with tube. In this configuration the cutting ring avoid tube rotation.
- Tighten the nut up to 1 turn maximum by holding the tube against rotation



For a more reliable connection use the HF3-DIN machine



5. Check

- Disassemble the tube connection.
- Check penetration of cutting edge. If the connector was assembled correctly a ring of materials distributed equally will be visible and should completely cover the front cutting edge.

NOTE

The cutting ring may turn on tube freely but should not be capable of axial displacement

6. Final Assembly

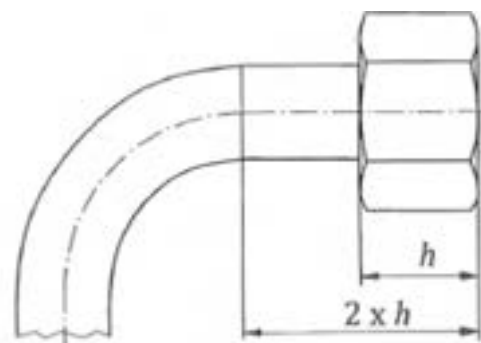
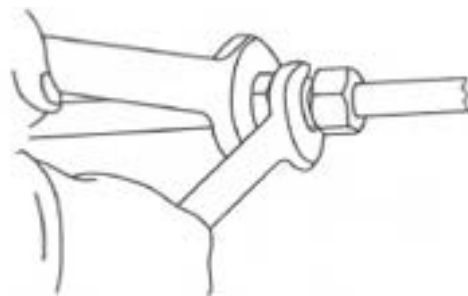
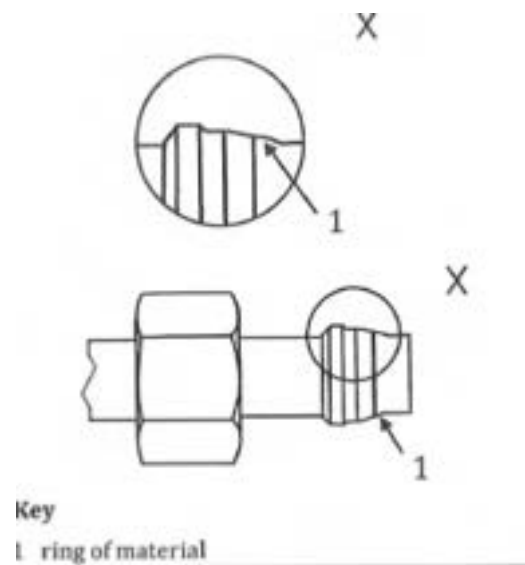
- In the final assembly the nut shall be re-tightened firmly using the same torque as required for initial assembly.
- Hold the connector body firmly with one wrench and turn the nut with another wrench.
- Tighten the nut until resistance to torque is noticeable.
- For all pre-assembly the nut shall be tightened with a $\frac{1}{4}$ further turn once a minimum resistance to torque is noticeable (up to a maximum of $\frac{1}{2}$ turn)
-

8. Minimum length of straight tube end for tube bends

- The length of undeformed straight tube ($2 \times h$) shall be at least twice the length of the nut (h).

NOTE

The straight tube end may not exceed any deviation of roundness or straightness which exceeds the dimensional tolerances of the tube.



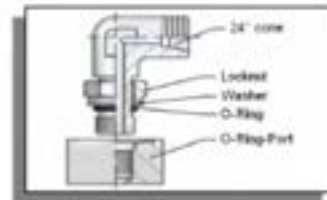
ADJUSTABLE FITTINGS WITHOUT REAITINING RING

Assembly Instructions

ISO 6149, ISO 11926

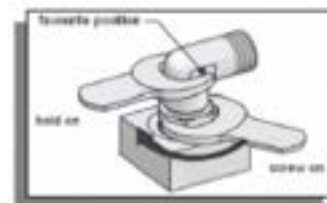
1. Assembly

- Pre-assembly with locknut, washer and o-ring.
- Lubricate the o-ring.
- Tighten the locknut until the thread groove has been discovered.
- Tighten the fittings into the port;
- Check contact between washer and port surface.



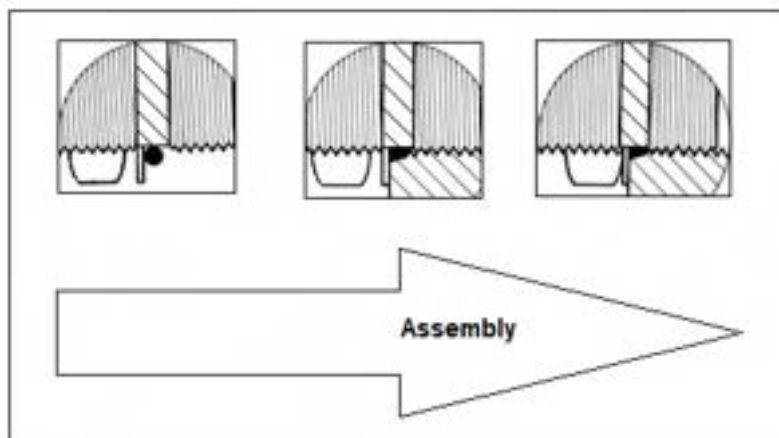
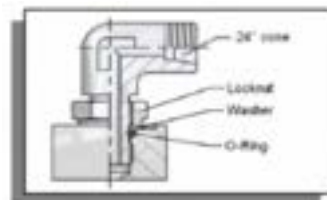
2. Adjustment

- Loosen the fittings up to 1 turn maximum until the right position has been reached.



4. Final Assembly

- Hold the fitting with a wrench and with a second wrench tighten the locknut.



DKO FITTINGS

Assembly Instructions

ISO 8434-1

1. Assembly

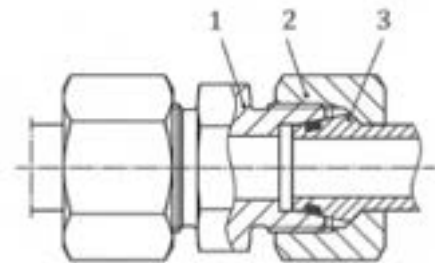
- Check the O-ring for any sign of damage and for the correct position in the groove.
- Lubricate lightly the O-Ring, the cone and the thread.
- Keep the taper aligned and insert it into the cone by pressing it firmly.
- Tighten manually the union nut.
- Turn the nut about $\frac{1}{4}$ - $\frac{1}{3}$ of turn to complete the installation.

NOTE

- Assembly and disassembly shall be performed by turning the union nut and not the counter connection fitting.

Key

- 1 body
- 2 nut
- 3 DKO-end (including O-ring)



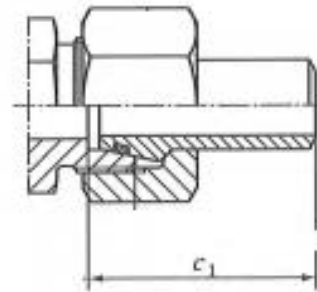
WELD ON NIPPLE Assembly Instructions

ISO 8434-1

1. General notes

- Reference standard ISO 8434-1.
- The final user is responsible for welding procedure.
- Reference tube length are shown below:

Series	OD Tube [mm]	C1 [mm] [+/-1 mm]
L	6	32
	8	32
	10	33,5
	12	33,5
	15	35
	18	37
	22	39,5
	28	42,5
	35	49,5
	42	50
S	6	32
	8	32
	10	33,5
	12	33,5
	14	37
	16	40,5
	20	47
	25	53,5
	30	57,5
	38	64,5



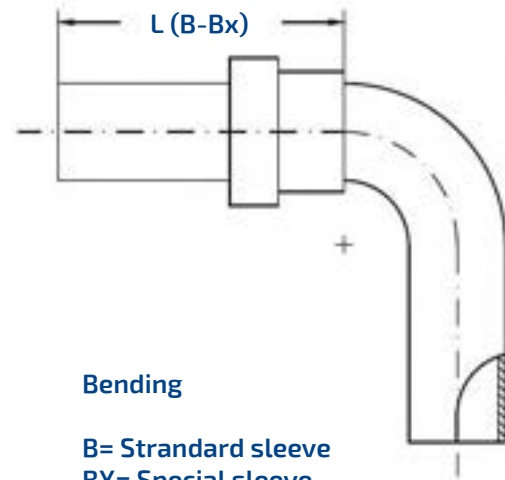
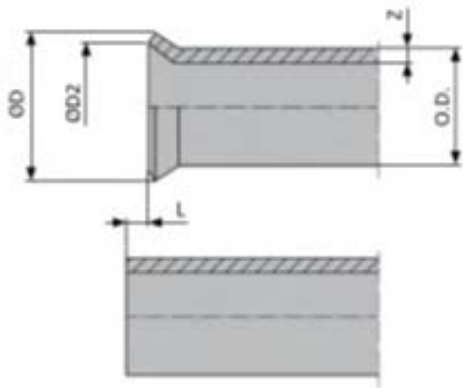
2. Assembly

- Check the O-ring for any sign of damage and for the correct position in the groove.
- Lubricate lightly the O-Ring, the cone and the thread.
- Keep the taper aligned and insert it into the cone by pressing it firmly.
- Tighten manually the union nut.
- Turn the nut about $\frac{1}{4}$ to complete the installation.

NOTE

- Assembly and disassembly shall be performed by turning the union nut and not the counter connection fitting.

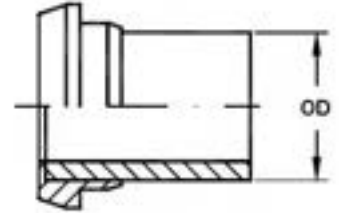
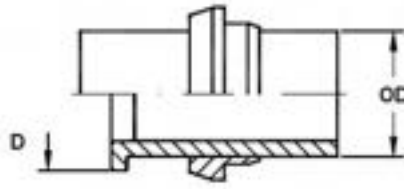
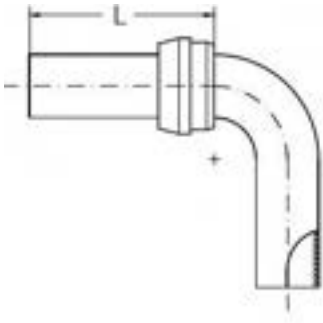
PIPE DIMENSIONS FOR JIC FITTINGS



Tube OD		Flaring D max [mm]	Flaring D2 min. [mm]	Max. tube wall thickness Z [mm]	Length decrease L [mm]	L [mm]	
[mm]	[inch]					B	Bx
6	1/4	9,7	8,0	1,5	2,5	22	19
8	5/16	11,3	10,0	1,5	2,5	25	-
10	3/8	12,7	11,7	1,5	2,5	27	24
12	1/2	17,3	14,7	2,0	3,0	30	26
15	-	20,2	16,5	2,0	3,0	34	30
16	5/8	20,2	16,5	2,5	3,0	39	34
20	3/4	24,6	21,0	2,5	3,5	48	-
25	1	31,0	25,1	3,0	4,0	48	-
30	-	38,9	31,8	3,0	5,0	59	-
35	1 1/4'	38,9	31,8	3,0	5,0	64	-
38	1 1/2'	42,3	38,5	3,0	5,0	64	-
						70	-



PIPE DIMENSIONS FOR ORFS FITTINGS



Pipe Bending

Mechanical Flaring

Brazing

Tube OD		D min [mm]	D max. [mm]	L min [mm]
[mm]	[inch]			
6	1/4	12,0	12,7	38,0
8	5/16	15,0	15,7	38,0
10	3/8	15,0	15,7	38,0
12	1/2	18,0	18,9	38,0
14	-	22,5	23,4	48,0
16	5/8	22,5	23,4	48,0
18	-	26,5	27,8	48,0
20	3/4	26,5	27,8	48,0
25	1	32,5	34,2	48,0
30	-	39,5	40,5	
35	1 1/4'	39,5	40,5	
38	1 1/2'	47,5	48,5	

ASSEMBLY DESIGN AND INSTALLATION

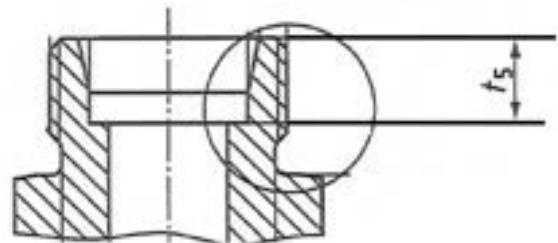
The following factors shall be considered when dimensioning a piping system and calculating tube length for an assembly length:

- Minimum length of straight and elbow parts;
- Additional dimensions related to couplings;
- Additional tube sections (flaring, bend radii, elbows, straight parts).

As guideline in piping system design it is recommended to consider an extra length for tubes ends in order to be able to adjust the assemblies before pre-assembly and final assembly.

As reference ISO 8434-1 dimension inside coupling is reported:

Tube OD	T5 [mm]
L 6	7
L 8	7
L 10	7
L 12	7
L 15	7
L 18	7,5
L 22	7,5
L 28	7,5
L 35	10,5
L 42	11
S 6	7
S 8	7
S 10	7,5
S 12	7,5
S 14	8
S 16	8,5
S 20	10,5
S 25	12
S 30	13,5
S 38	16



RECOMMENDATIONS

Hydraulic Systems efficiency shall be guaranteed by tubes and fittings correct design and installation.

It is necessary to avoid any kind of leakage or failure during operation.

After tubes dimensioning and lines definition here below recommendations to follow during installation and routings:

Joints accessibility: it is suggested to keep tubes away from components requiring periodical inspection and to have an easy access to connection points where inspections are required.

Routing: It is recommended to have a routing providing an easy trouble shooting for maintenance and repair actions. Right angled, parallel and clear lines are the recommended configuration.

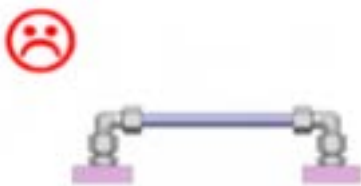
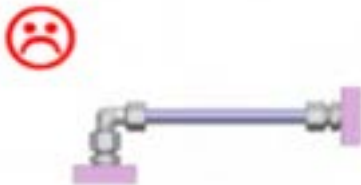
Fixing: Do not use tubes to support external loads. Tube shall be fixed properly with proper tube clamps.



Length: it is recommended to avoid short tubes that can be affected by fatigue failures. If possible, swivel connectors are the preferable solutions.



Installation: excessive stresses on joints have to be avoided.



Clamps – Installation instructions

WELDING PLATE MOUNTING

- Adjust weld plates and position with locating magnets or clips.
- Weld the plate on.
- Press the lower half-clamps.
- Lay the tube, put on second the upper half-clamp and tighten screws.

Don't weld the plate with the plastic-clamps

Long weld plates can be screwed directly to the surface. It is advised against contact between brackets.

RAIL MOUNTING

Mounting rails are supplied in 2 m length. Rails can be installed on the related support by welding or screws.

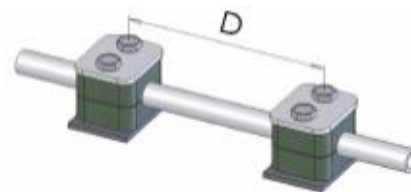
In case of screw install the nut in the rail and turn it until it stops.

Insert the lower half-clamp, put the hose in the final position, insert the upper half-clamp and tighten the screws.

It is important to pay attention to tubes interaxle spacing. It is advised against contact between brackets.

Ø esterno tubo - Ø tube (mm)	D (mt)
from 6 to 12,7	0,9
from 15 to 22	1,2
from 23 to 28	1,5
from 30 to 38,1	2
from 40 to 48,3	2,5
from 50 to 57	3
from 60 to 70	3,4
from 76,1 to 88,9	3,7
from 101,6 to 108	4
from 114,3 to 133	4,3
from 139,7 to 165,1	5
from 168,3 to 324	5,5

Distanza suggerita tra collari dello stesso tipo



Si consiglia di posizionare le staffe prima e dopo una curva a 90.



ELASTOMERIC SEAL

O-Ring normally provided is made in NBR 90 Shore A hardness.

NBR O-Ring is suitable for a temperature range within -35 °C to +100 °C / -31 °F to +212 °F.

In case of aggressive environment FKM (Viton[®] - temperature range within 25 °C to +200 °C / -13 °F to +392 °F) or EPDM O-Ring is available.

About storage it is recommended to follow ISO 2230/ DIN 7716 "Rubber products — Guidelines for storage".

- Store seals in a dry place, at temperatures not exceeding +25 °C / +77 °F.
- Protect seals from sunlight, ozone, strong artificial lightning and heat sources during storage.

THE PRINCIPLES OF CORRECT STORAGE

The O-Rings must be stored in such a way as to avoid external damage that can occur in the form of damage to the surface such as deformation due to traction, pressure or bending or from packaging components (e.g. staples).

The O-Rings must also be stored in a cool and dry environment, preferably at temperatures between 15 °C and 25 °C with humidity below 65%.

The O-rings must not be exposed for too long to sunlights and artificial light with a high UV content and must be kept away from ozone sources.

The storage rooms must not contain ozone which can be produced by devices such as electric motors, high voltage devices and must also not contain combustion and organic gases.

Point of contacts between rubber products of different components must be avoided. As well as contact between chemicals or hazardous materials (eg copper, manganese) are to be avoided.

The best solution is to keep the O-Rings in airtight packaging, especially plastic bags protected from UV rays.

The O-Rings retain their properties only if stored correctly.

If the above recommendations are respected, the gasket can be stored without losing their characteristics for a period of 5 years for NBR and 10 years for FKM.

Unsaturated elastomers such as Nitrile Rubber (NBR) can have a much shorter age under improper storage conditions than for example saturated elastomers, Fluoroelastomers (FKM).

To ensure their sealing function, storage, cleaning and maintenance must comply with the directives of DIN 7716.

The result is a longer functional life and avoid premature aging, hardening or embrittlement.

FLUID COMPATIBILITY TABLE

Legend		Materials Guide		
excellent	↑	NBR	Nitrile rubber	
good (OK for static seals)	↗	EPDM	Ethylene-Propylene	
questionable (sometimes OK for static seals)	→	FKM	Fluoroelastomer (Viton)	
rare	↓			
Fluids		NBR	FKM	EPDM
Sea water (salty)		↑	↑	↗
Drinking water		↑	↑	↑
Air 0-90 ° C		↗	↑	↑
Air 150-200 ° C		↓	↑	↓
Air 200-260 ° C		↓	→	↓
Air 90-150 °C		→	↑	↗
ASTM oil, n. 1		↑	↑	↓
ASTM oil, n. 2		↑	↑	↓
ASTM oil, n. 3		↑	↑	↓
ASTM oil, n. 4		↗	↑	↓
ASTM oil, n. 5		↑	↑	↓
Nitrogen		↑	↑	↑
Benzene		↓	↑	↓
Kerosene (similar to RP-1 e JP-1)		↑	↑	↓
Ethanol		→	→	↑
Aether		↓	↓	→
Brake Fluid DOT3 (glycol type)		→	↓	↑
Biodegradable hydraulic fluid HEES (Synthetic ester base)		↗	↑	↓
HETG Biodegradable Hydraulic Fluid (Triglycerides)		↗	↑	↓
Biodegradable hydraulic fluid HEPG (Polyalkyleneglycol base)		↗	↓	↓
Biodegradable hydraulic fluid HEPR (Other Base Liquid - primarily Polyalphaolefins)		↗	↑	↓
Natural gas		↑	↑	↓
Gas oil		↑	↑	↓
Ethylene glycol		↑	↑	↑
Car brake fluid		→	↓	↑
Methane		↑	↑	↓
Methanol		↗	↓	↑
Hydraulic oils (synthetic base)		↗	↑	↓
Lubricating oils (petroleum based)		↑	↑	↓
Lubricating oils (synthetic based)			↑	
Lubricating oils (raw and refined)		↗	↑	↓
Mineral oils		↑	↑	↓
Motor oils		↑	↑	↓
Crude petroleum oil		↑	↑	↓
Hydraulic oil (petroleum based, industrial)		↑	↑	↓
Turbine oil		↑	↑	↓
Silicone oils		↑	↑	↑
Steam below 200 ° C		↓	↓	↑
Steam, 200-260 ° C		↓	↓	→

The table of compatible fluids cited above refers to literature data; for more information contact our technical department. For adapters and pressure fittings that have O-Rings in contact with the fluid, it is necessary to take into consideration the chemical compatibility with the passing fluid that will be used.

REPLACEMENT OF THE O-RING

To replace the O-Ring the following steps must be acquainted.

- Check the elastomers before assembly and verify that a) they are not damaged on the surface b) deformed c) they are not hardened d) that they have not lost their elasticity.
- Use assembly greases or oils (compatible with elastomers)
- Avoid twisting the O-Ring by winding
- There must be no acute / cutting passages, machining grooves, threads or holes
- The presence of dirt or residues in the O-Ring installation site is not allowed

ASSEMBLY TORQUE

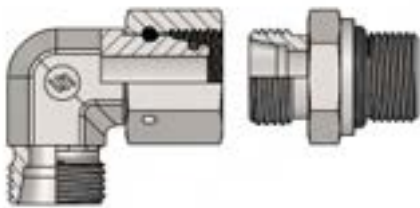
Nut on Pipe



OD	T _h Metric Light Series (L)	N/m ₀ +10%
6	M12x1,5	20
8	M14x1,5	30
10	M16x1,5	40
12	M18x1,5	50
15	M22x1,5	70
18	M26x1,5	90
22	M30x2	120
28	M36x2	160
35	M45x2	250
42	M52x2	380

OD	T _h Metric Heavy Series (S)	N/m ₀ +10%
6	M14x1,5	25
8	M16x1,5	40
10	M18x1,5	50
12	M20x1,5	60
14	M22x1,5	75
16	M24x1,5	85
20	M30x2	140
25	M36x2	190
30	M42x2	270
38	M52x2	400

Swivel Fitting

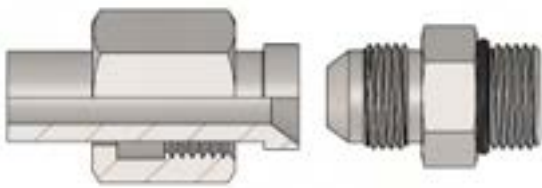


T _h Metric Light Series (L)	N/m ₀ +10%
M12x1,5	20
M14x1,5	30
M16x1,5	40
M18x1,5	50
M22x1,5	70
M26x1,5	90
M30x2	120
M36x2	160
M45x2	250
M52x2	380

T _h Metric Heavy Series (S)	N/m ₀ +10%
M14x1,5	25
M16x1,5	40
M18x1,5	50
M20x1,5	60
M22x1,5	75
M24x1,5	85
M30x2	140
M36x2	190
M42x2	270
M52x2	400

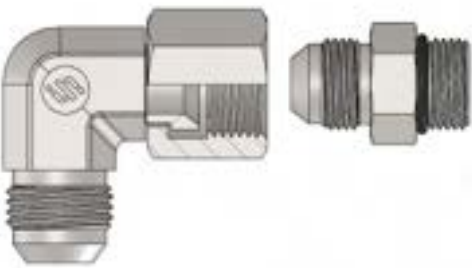
ASSEMBLY TORQUE

Nut on Pipe



OD	JIC	N/m Min - Max
6	7/16" - 20	13 - 15
8	1/2" - 20	17 - 24
10	9/16" - 18	24 - 31
12	3/4" - 16	45 - 50
14÷16	7/8" - 14	65 - 70
18 - 20	1.1/16" - 12	90 - 95
25	1.5/16" - 12	120 - 140
30 - 32	1.5/8" - 12	170 - 185
38	1.7/8" - 12	210 - 230

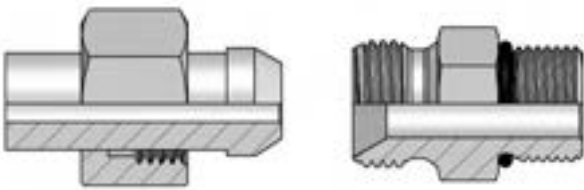
Swivel Fitting



OD	JIC	N/m Max
6	7/16" - 20	15
8	1/2" - 20	25
10	9/16" - 18	31
12	3/4" - 16	52
14÷16	7/8" - 14	72
18 - 20	1.1/16" - 12	100
25	1.5/16" - 12	145
30 - 32	1.5/8" - 12	190
38	1.7/8" - 12	240

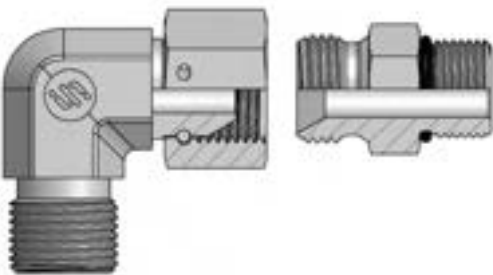
ASSEMBLY TORQUE

Nut on Pipeo



OD	BSP	N/m 0 +10%
6	1/8''	10
8	1/4''	20
10	3/8''	35
12	1/2''	60
16	5/8''	70
20	3/4''	115
25	1''	140
30	1 1/4''	210
38	1 1/2''	290

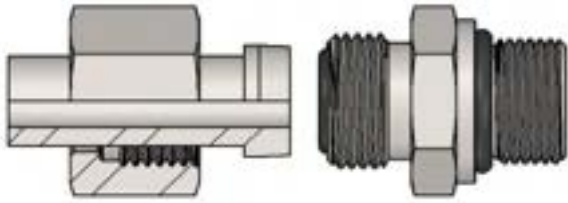
Swivel Fitting



BSP	N/m 0 +10%
1/8''	13
1/4''	25
3/8''	45
1/2''	75
5/8''	85
3/4''	130
1''	160
1 1/4''	250
1 1/2''	330

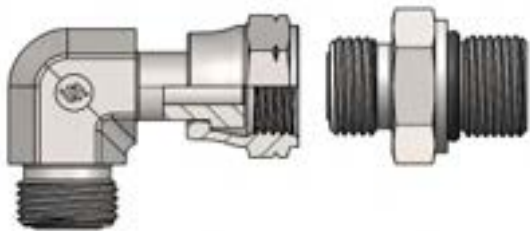
ASSEMBLY TORQUE

Nut on Pipe



OD	T _h ORFS	N/m (0 +10 %)
6	9/16" - 18	25
8-10	11/16" - 16	40
12	13/16" - 16	55
14÷16	1" - 14	60
18-20	1.3/16" - 12	90
25	1.7/16" - 12	125
30-32	1.11/16" - 12	170
38	2" - 12	200

Swivel Fitting



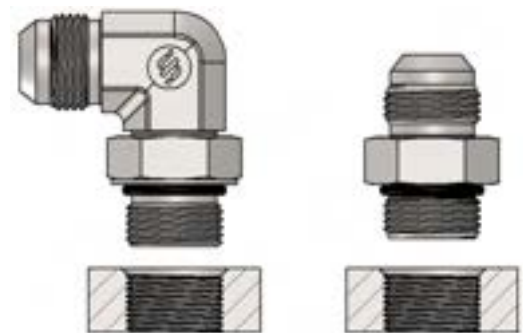
OD	T _h ORFS	N/m (0 +10 %)
6	9/16" - 18	28
8-10	11/16" - 16	45
12	13/16" - 16	60
14÷16	1" - 14	65
18-20	1.3/16" - 12	95
25	1.7/16" - 12	130
30-32	1.11/16" - 12	180
38	2" - 12	215

PORT END ASSEMBLY

Adjustable Non- Adjustable Fitting

ISO 11926 Non Adjustable			
Heavy Duty (S Series) ISO 11926-2		Light Duty (L Series) ISO 11926-3	
Thread Size UN / UNF	Torque N m (+10 % -0)	Thread Size UN / UNF	Torque N m (+10 % -0)
3/8-24	10	3/8-24	10
7/16-20	20	7/16-20	18
1/2-20	25	1/2-20	25
9/16-18	35	9/16-18	30
3/4-16	70	3/4-16	60
7/8-14	100	7/8-14	95
1 1/16-12	170	1 1/16-12	125
1 3/16-12	215	1 3/16-12	150
1 5/16-12	270	1 5/16-12	200
1 5/8-12	285	1 5/8-12	210
1 7/8-12	370	1 7/8-12	300

ISO 11926 Adjustable			
Heavy Duty (S Series) ISO 11926-2		Light Duty (L Series) ISO 11926-3	
Thread Size UN / UNF	Torque N m (+10 % -0)	Thread Size UN / UNF	Torque N m (+10 % -0)
3/8-24	10	3/8-24	10
7/16-20	20	7/16-20	18
1/2-20	25	1/2-20	25
9/16-18	35	9/16-18	30
3/4-16	70	3/4-16	60
7/8-14	100	7/8-14	95
1 1/16-12	170	1 1/16-12	125
1 3/16-12	215	1 3/16-12	150
1 5/16-12	270	1 5/16-12	200
1 5/8-12	285	1 5/8-12	210
1 7/8-12	370	1 7/8-12	300

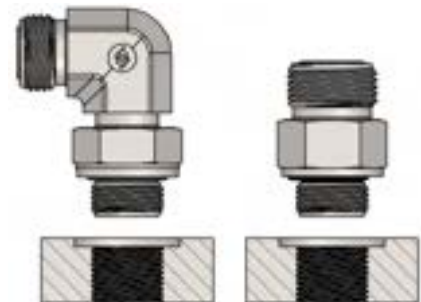


PORT END ASSEMBLY

ISO 1179					
Type E ISO 1179-2			Type B ISO 1179-4		
Series	BSPP Thread G Size	Torque N m (0 +10 %)	Series	BSPP Thread G Size	Torque N m (0 +10 %)
L	1/8	20	LL	1/8	15
	1/4	50	L	1/8	20
	3/8	80		1/4	40
	1/2	100		3/8	80
	3/4	200		1/2	150
	1	380		3/4	200
	1 1/4	500		1	380
	1 1/2	600		1 1/4	600
S	1/4	60		1 1/2	700
	3/8	90	S	1/4	60
	1/2	130		3/8	100
	3/4	200		1/2	170
	1	380		3/4	320
	1 1/4	500		1	380
	1 1/2	600		1 1/4	600
	2	650		1 1/2	800

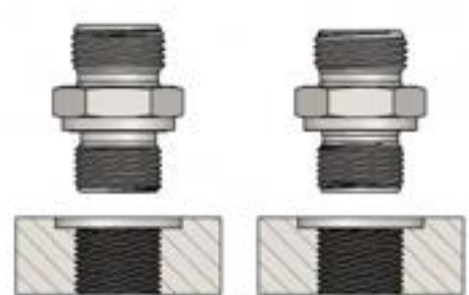


ISO 1179				
ISO 1179-3 Type H Adjustable			ISO 1179-3 Type G Non Adjustable	
Series	BSPP Thread H Size	Torque N m (0 +10 %)	BSPP Thread G Size	Torque N m (0 +10 %)
L	1/8	20	1/8	25
	1/4	50	1/4	50
	3/8	80	3/8	80
	1/2	100	1/2	105
	3/4	200	3/4	220
	1	370	1	370
	1 1/4	500	1 1/4	500
	1 1/2	600	1 1/2	600

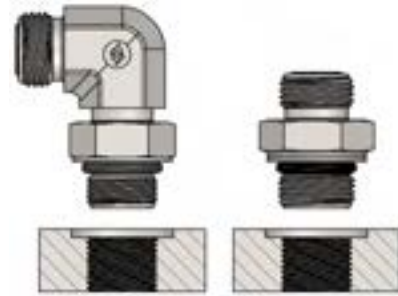
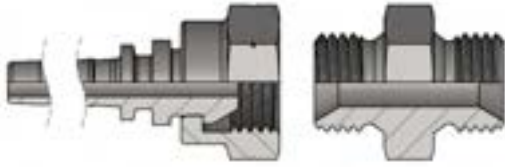


PORT END ASSEMBLY

Type E ISO 9974-2			Type B ISO 9974-3		
Series	BSPP Thread G Size	Torque N m (0 +10 %)	Series	Thread M Size	Torque N m (+10 % -0)
L	M10 x 1	20	LL	M8 x 1	10
	M12 x 1,5	30		M10 x 1	15
	M14 x 1,5	50	L	M10 x 1	20
	M16 x 1,5	60		M12 x 1,5	30
	M18 x 1,5	80		M14 x 1,5	50
	M22 x 1,5	140		M16 x 1,5	70
	M26 x 1,5	200		M18 x 1,5	90
	M33 x 2	380		M22 x 1,5	150
	M42 x 2	500		M26 x 1,5	210
	M48 x 2	600		M33 x 2	380
S	M12 x 1,5	45	M42 x 2	550	
	M14 x 1,5	60	M48 x 2	700	
	M16 x 1,5	80	S	M12 x 1,5	45
	M18 x 1,5	100		M14 x 1,5	60
	M20 x 1,5	140		M16 x 1,5	90
	M22 x 1,5	150		M18 x 1,5	120
	M27 x 2	200		M20 x 1,5	170
	M33 x 2	380		M22 x 1,5	190
	M42 x 2	500		M27 x 2	320
	M48 x 2	600		M33 x 2	450
			M42 x 2	600	
			M48 x 2	800	



PORT END ASSEMBLY



Type A DIN 3852-1		
Series	Thread M Size	Torque N m (+10 % -0)
L	M10 x 1	10
	M12 x 1,5	20
	M14 x 1,5	35
	M16 x 1,5	45
	M18 x 1,5	55
	M22 x 1,5	65
	M26 x 1,5	90
	M33 x 2	150
	M42 x 2	240
	M48 x 2	290
S	M12 x 1,5	20
	M14 x 1,5	35
	M16 x 1,5	45
	M18 x 1,5	55
	M20 x 1,5	60
	M22 x 1,5	65
	M27 x 2	90
	M33 x 2	150
	M42 x 2	240
	M48 x 2	290

ISO 6149		
ISO 6149-2 / -3		
Series	Thread M Size	Torque N m (0 +10 %)
L	M8 x 1	8
	M10 x 1	15
	M12 x 1,5	25
	M14 x 1,5	35
	M16 x 1,5	40
	M18 x 1,5	45
	M22 x 1,5	60
	M27 x 2	100
	M30 x 2	130
	M33 x 2	160
	M42 x 2	210
	M48 x 2	260
	M60 x 2	
	S	M8 x 1
M10 x 1		20
M12 x 1,5		35
M14 x 1,5		45
M16 x 1,5		55
M18 x 1,5		70
M22 x 1,5		100
M27 x 2		170
M30 x 2		215
M33 x 2		310
M42 x 2		330
M48 x 2		420
M60 x 2		500

Thread Dimensions

Type	thread	dash	male (mm)		female (mm)	
			size	max	min	max
BSP	1/8-28	02	9,7	9,5	8,8	8,6
Metric	M10x1	10	9,9	9,8	9,1	8,9
UNF	7/16-20	04	11,0	10,9	10,0	9,7
Metric	M12x1,5	12	11,9	11,7	10,6	10,4
UNF	1/2-20	05	12,6	12,5	11,6	11,3
BSP	1/4-19	04	13,1	12,9	11,8	11,4
Metric	M14x1,5	14	13,9	13,7	12,6	12,4
UNF	9/16-18	06	14,2	14,0	13,0	12,8
UNF	5/8-18	07	15,8	15,6	14,6	14,4
Metric	M16x1,5	16	15,9	15,7	14,6	14,4
BSP	3/8-19	06	16,6	16,4	15,3	15,0
UN	11/16-16	09	17,4	17,2	16,1	15,7
Metric	M18x1,5	18	17,9	17,7	16,6	16,4
UNF	3/4-16	08	19,0	18,8	17,6	17,3
Metric	M20x1,5	20	19,9	19,7	18,6	18,4
UN	13/16-16	11	20,5	20,4	19,2	18,9
BSP	1/2-14	08	20,9	20,7	19,1	18,6
Metric	M22x1,5	22	21,9	21,7	20,6	20,4
UNF	7/8-14	10	22,1	21,9	20,6	20,3
BSP	5/8-14	10	22,9	22,6	21,1	20,6
UNS	1-14	13	25,3	25,1	23,8	23,4
Metric	M26x1,5	26	25,9	25,7	24,6	24,4
BSP	3/4-14	12	26,4	26,2	24,6	24,1
UN	1.1/16-12	12	26,9	26,7	25,1	24,7
Metric	M30x1,5	30	29,9	29,7	28,6	28,4
Metric	M30x2	30	29,9	29,7	28,2	27,8
UN	1.3/16-12	14	30,1	29,8	28,3	27,9
UN	1.5/16-12	16	33,2	33,0	31,4	31,0
BSP	1-11	16	33,2	32,9	30,9	30,3
Metric	M36x2	36	35,9	35,7	34,2	33,8
UN	1.7/16-12	15	36,4	36,2	34,6	34,2
Metric	M38x1,5	38	37,9	37,7	36,6	36,4
UN	1.5/8-12	20	41,2	40,9	39,4	39,0
BSP	1.1/4-11	20	41,9	41,6	39,5	39,0
Metric	M42x2	42	41,9	41,7	40,2	39,8
UN	1.11/16-12	21	42,8	42,5	41,0	40,6
Metric	M45x1,5	45	44,9	44,7	43,6	43,4
Metric	M45x2	45	44,9	44,7	43,2	42,8
UN	1.7/8-12	24	47,5	47,3	48,7	45,3
BSP	1.1/2-11	24	47,8	47,4	45,4	44,8
UN	2-12	32	50,7	50,5	48,9	48,5
Metric	M52x2	52	51,9	51,7	50,2	49,8
BSP	2-11	32	59,6	59,3	57,2	56,7
UN	2.1/2-12	32	63,4	63,2	61,6	61,2

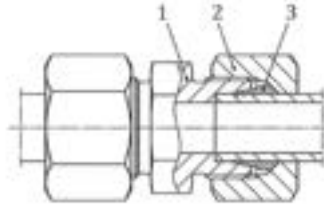
Reference construction standard

Description	Standards
Gas / BSP	BS 5200 ; ISO 8434-6 ;
Metric 24°	DIN 3861; DIN 3865 ; ISO 8434-1 ; ISO 8434-4 ;
Metric 60°	DIN 7631; DIN 3863
ORFS	SAE J1453 ; ISO 8434-3 ;
NPT / NPTF	SAE J514
Jic 37°	SAE J514 ; ISO 8434-2 ;

Conversion unit

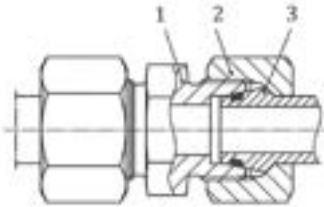
unit	da	a	FRH®
	from	to	
length	m metro meters	ft foot	3.281
length	mm millimetro millimeters	n inch	0.03934
area	m ² metro quadro square meter	in ² square inch	1550
volume	l litro liters	gal gallon (UK)	0.264
mass	kg kilogrammo kilogramme	lb pound	2.205
torque	N-m newton/metro newton/meters	lb/ft pound/foot	0.7374
speed	m/s metro/secondo meters/second	ft/s feet per second	3.281
SRUWDWDÀRZ-UDWH	l/min litro per minuto/liters per minute	gal/min gallon per minute	0.264
pressure	bar (105N/m ²)	psi pound/square inch	14.503
temperature	°C celsius	°F fahrenheit	°C(9/5)+32

ISO 8434-1



Key
 1 body
 2 nut
 3 cutting ring

Figure 1 — Cross-section of typical 24° cone connector with cutting ring



Key
 1 body
 2 nut
 3 DED-end (including O-ring)

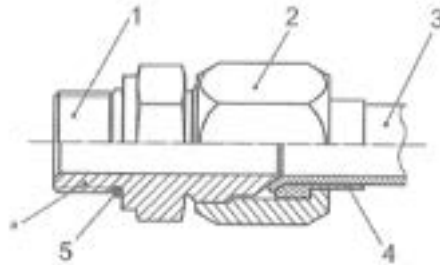
Figure 2 — Cross-section of typical 24° cone connector with O-ring seal cone (D80) end

24° cone extra light series (LL)		
OD	THREAD SIZE	MAX WP
4	M8X1	100
5	M10X1	100
6	M10X1	100
8	M12X1	100

24° cone light series (L)		
OD	THREAD SIZE	MAX WP
6	M12X1.5	415
8	M14X1.5	400
10	M16X1.5	350
12	M18X1.5	330
15	M22X1.5	275
18	M26X1.5	250
22	M30X2	215
28	M36X2	165
35	M45X2	125
42	M52X2	100

24° cone heavy series (S)		
OD	THREAD SIZE	MAX WP
6	M14X1.5	630
8	M16X1.5	630
10	M18X1.5	630
12	M20X1.5	630
14	M22X1.5	630
16	M24X1.5	420
20	M30X2	420
25	M36X2	420
30	M42X2	420
38	M52X2	420

ISO 8434-2



Key

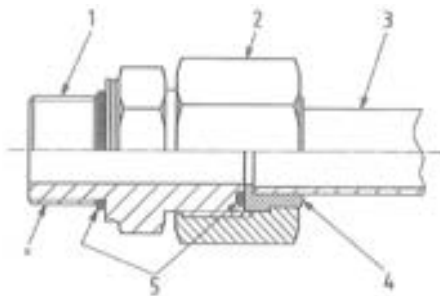
- 1 straight stud connector body
- 2 tube nut
- 3 tube
- 4 sleeve
- 5 O-ring

* Stud end in accordance with ISO 1179-3, ISO 6149-3, ISO 9974-2 or ISO 11926-3.

37° Flared JIC		
OD	THREAD SIZE	MAX WP
6	7/16-20 UNF	350
8	1/2-20 UNF	350
10	9/16-18 UNF	350
12	3/4-16 UNF	310
16	7/8-14 UNF	240
20	1.1/16-12 UN	240
25	1.5/16-12 UN	210
30-32	1.5/8-12 UN	170
38	1.7/8-12 UN	140
50	2.1/2-12 UN	105

Figure 1 — Cross-section of typical 37° flared connection

ISO 8434-3



Key

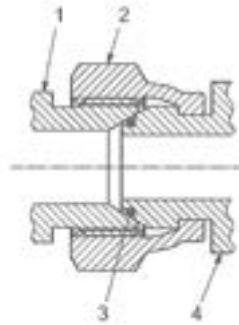
- 1 straight stud connector body
- 2 tube nut
- 3 tube
- 4 bevel on sleeve
- 5 O-ring

* Stud end in accordance with ISO 6149-2.

O-ring face seal (ORFS)		
OD	THREAD SIZE	MAX WP
6	9/16-18 UNF	630
8	5/8-18 UNF	630
10	11/16-16 UN	630
12	13/16-16 UN	630
16	1-14 UNS	400
20	1.3/16-12 UN	400
25	1.7/16-12 UN	400
30	1.11/16-12 UN	250
38	2-12 UN	250

Figure 1 — Cross-section and components of typical O-ring face seal connector body

ISO 8434-6



- Key
- 1 main body
 - 2 nut
 - 3 O-ring
 - 4 female connector

Figure 1 — Cross-section of typical 60° cone connector with O-ring

OD	THREAD SIZE	MAX WP	
		BSP 60° cone without o-ring	BSP 60° cone with o-ring
6	1/8"	350	-
8	1/4"	350	400
10	3/8"	350	400
12	1/2"	315	350
16	5/8"	315	350
20	3/4"	250	315
25	1"	200	250
32	1.1/4"	160	200
38	1.1/2"	125	160
50	2"	80	125

SAE J514

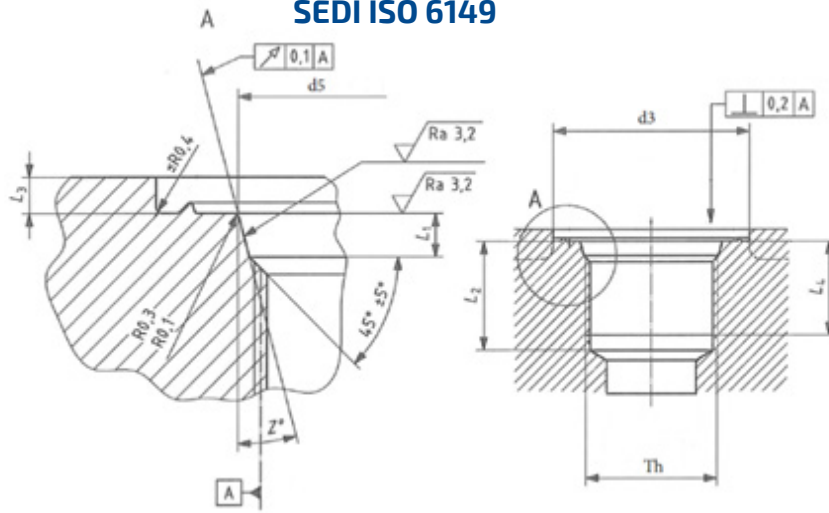
NPTF (dry seal pipe)	
THREAD SIZE	MAX WP
1/8"	345
1/4"	275
3/8"	275
1/2"	240
3/4"	210
1"	170
1.1/4"	150
1.1/2"	140

JIS B 8363

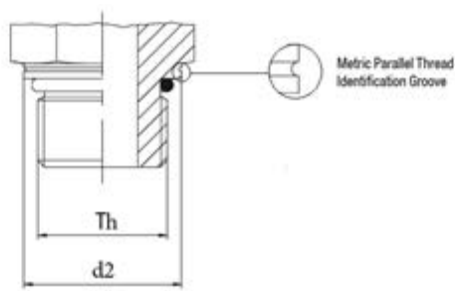
BSP 60° inverted cone (Toyota)	
THREAD SIZE	MAX WP
1/4"	345
3/8"	345
1/2"	345
3/4"	275
1"	205
1.1/4"	170
1.1/2"	105

BSP 60° inverted cone (Komatsu)	
THREAD SIZE	MAX WP
M14X1.5	345
M16X1.5	345
M18X1.5	345
M22X1.5	345
M30X1.5	280
M33X1.5	205
M36X1.5	170
M42X1.5	105

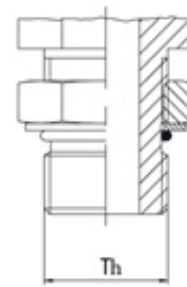
SEDI ISO 6149



Port (Parallel Thread)



Non-Adjustable stud end

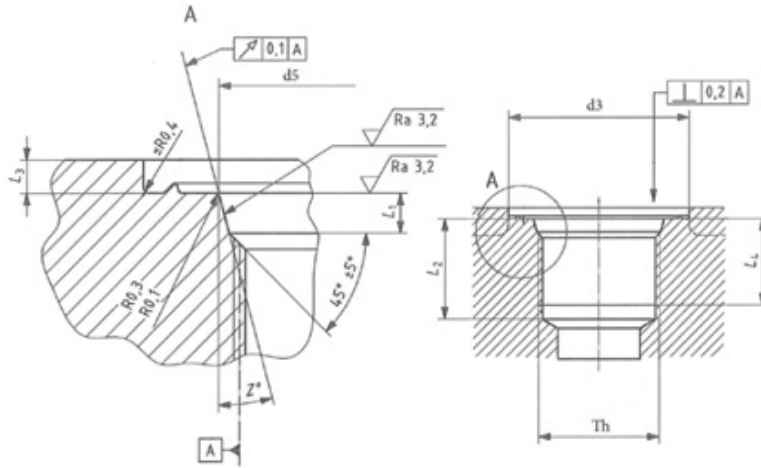


Adjustable stud end

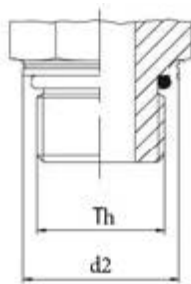
ISO 6149-2 (S series)		
THREAD SIZE	Max WP "No Adjustable"	Max WP "Adjustable"
M8X1	630	400
M10X1	630	400
M12X1.5	630	400
M14X1.5	630	400
M16X1.5	630	400
M18X1.5	630	400
M20X1.5	400	400
M22X1.5	630	400
M27X2	400	400
M30X2	400	350
M33X2	400	350
M42X2	250	250
M48X2	250	200
M60X2	250	160

ISO 6149-2 (L series)		
THREAD SIZE	Max WP "No Adjustable"	Max WP "Adjustable"
M8X1	400	315
M10X1	400	315
M12X1.5	400	315
M14X1.5	400	315
M16X1.5	315	250
M18X1.5	315	250
M22X1.5	315	250
M27X2	200	160
M30X2	200	160
M33X2	200	160
M42X2	200	160
M48X2	200	160
M60X2	160	100

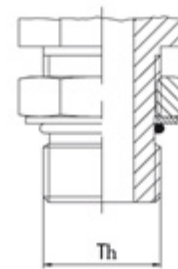
SEDI ISO 11926



Port (Parallel Thread)



Non-Adjustable stud end

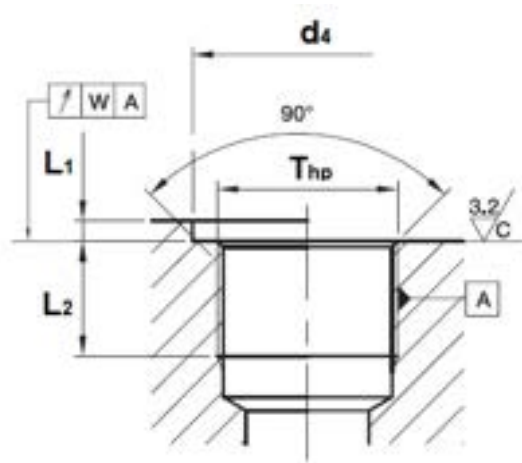


Adjustable stud end

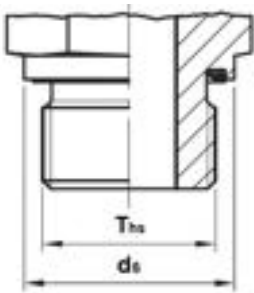
ISO 11926-2 (S series)		
THREAD SIZE	Max WP "No Adjustable"	Max WP "Adjustable"
3/8-24 UNF	630	400
7/16-20 UNF	630	400
1/2-20 UNF	630	400
9/16-18 UNF	630	400
3/4-16 UNF	630	400
7/8-14 UNF	630	400
1.1/16-12 UN	400	400
1.3/16-12 UN	400	400
1.5/16-12 UN	400	315
1.5/8-12 UN	250	250
1.7/8-12 UN	250	200

ISO 11926-3 (L series)		
THREAD SIZE	Max WP "No Adjustable"	Max WP "Adjustable"
3/8-24 UNF	315	315
7/16-20 UNF	315	315
1/2-20 UNF	315	315
9/16-18 UNF	315	250
3/4-16 UNF	315	250
7/8-14 UNF	250	200
1.1/16-12 UN	250	200
1.3/16-12 UN	200	160
1.5/16-12 UN	200	160
1.5/8-12 UN	160	125
1.7/8-12 UN	160	125
2.1/2-12 UN	125	100

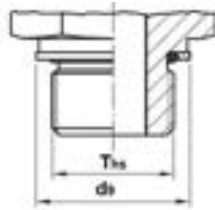
SEDI ISO 9974



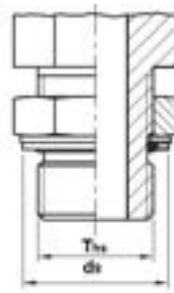
Port (Parallel Thread)



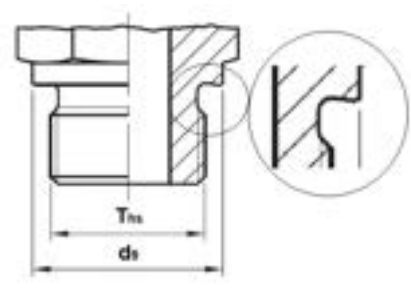
Stud end with elastomeric sealing Type E



Non-Adjustable stud end Type G



Adjustable stud end Type H



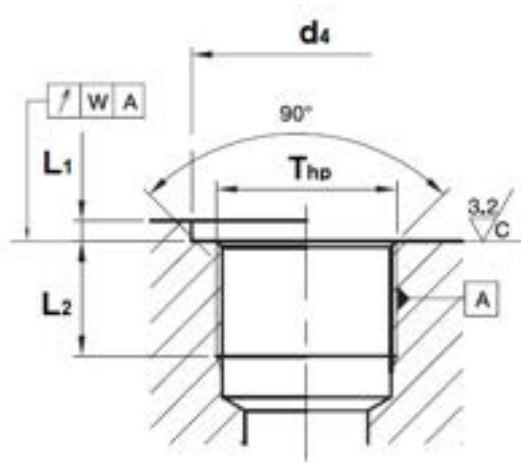
Stud end with metal-to-metal sealing Type B

ISO 9974-2 (Type E)		
THREAD SIZE	Max WP "L series"	Max WP "S series"
M10X1	250	-
M12X1.5	250	630
M14X1.5	250	630
M16X1.5	250	630
M18X1.5	250	630
M20X1.5	-	630
M22X1.5	160	400
M26X1.5	160	-
M27X2	-	400
M33X2	100	400
M42X2	100	250
M48X2	100	250

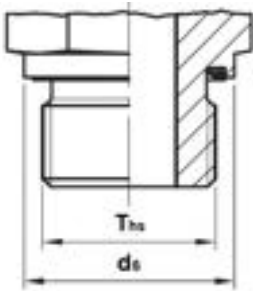
ISO 9974 (port)		
THREAD SIZE	Max WP "No Adjustable"	Max WP "Adjustable"
M10X1	315	200
M12X1.5	315	200
M14X1.5	315	200
M16X1.5	315	200
M18X1.5	315	200
M20X1.5	250	-
M22X1.5	250	200
M26X1.5	250	200
M27X2	250	200
M33X2	250	200
M42X2	160	160
M48X2	160	160

ISO 9974-3 (Type B)			
THREAD SIZE	Max WP "LL series"	Max WP "L series"	Max WP "S series"
M10X1	100	250	-
M12X1.5	-	250	400
M14X1.5	-	250	400
M16X1.5	-	250	400
M18X1.5	-	250	400
M20X1.5	-	-	400
M22X1.5	-	160	400
M26X1.5	-	160	-
M27X2	-	-	400
M33X2	-	100	250
M42X2	-	100	160
M48X2	-	100	160

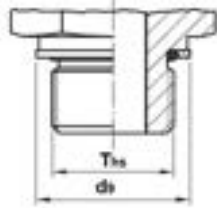
SEDI ISO 1179



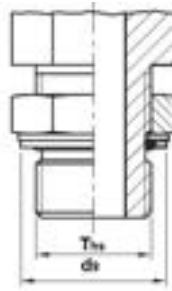
Port (Parallel Thread)



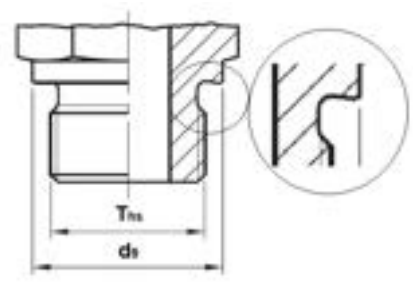
Stud end with elastomeric sealing Type E



Non-Adjustable stud end Type G



Adjustable stud end Type H



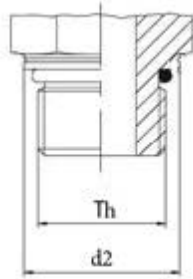
Stud end with metal-to-metal sealing Type B

ISO 1179-2 (Type E)		
THREAD SIZE	Max WP "L series"	Max WP "S series"
1/8	250	-
1/4	250	630
3/8	250	630
1/2	250	400
3/4	160	400
1	100	400
1.1/4	100	250
1.1/2	100	250
2	-	250

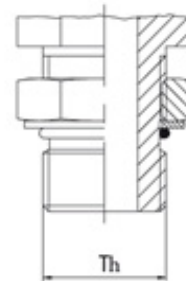
ISO 1179-3 (L Series)		
THREAD SIZE	Max WP "No Adjustable type G"	Max WP "Adjustable type H"
1/8	315	200
1/4	315	200
3/8	315	200
1/2	250	200
3/4	250	200
1	250	200
1.1/4	160	160
1.1/2	160	160

ISO 1179-4 (Type B)			
THREAD SIZE	Max WP "LL series"	Max WP "L series"	Max WP "S series"
1/8	100	250	-
1/4	-	250	400
3/8	-	250	400
1/2	-	250	400
3/4	-	160	400
1	-	100	250
1.1/4	-	100	160
1.1/2	-	100	160

SEDI JIS 2351



: Non-Adjustable stud end



Adjustable stud end

JIS 2351 (BSPP thread)		
THREAD SIZE	Max WP "No Adjustable type G"	Max WP "Adjustable type H"
1/8	315	200
1/4	315	200
3/8	315	200
1/2	250	200
3/4	250	200
1	250	200
1.1/4	160	160
1.1/2	160	160

REFERENCE STANDARD

ISO 8434-1 / -2 / -3 / -6
ISO 1179-1 / -2 / -3 / -4
ISO 6149-1 / -2 / -3 / -4
ISO 9974-1 / -2 / -3 / -4
ISO 11926-1 / -2 / -3
ISO 2230
DIN 3852-1/-2
DIN 2353
SAE J514
SAE J476
SAE J516
SAE J1926
ISO 261,
ISO 228/1
ISO 7/1
BS21
BS 2779
ANSI B1.20.3
ANSI B1.20.1
ANSI B1.1
ANSI B1.13M
ANSI B1.21.1

Premium adaptors & tube connectors

Adattatori BSP - A

Adattatori ORFS - B

Adattatori JIC - C

Adattatori DIN 2353 - D

Adattatori NPTF-METRICO - E

Adattatori BSP - A





1700



Male stud connector BSP (ISO 8434-6)

7

1800



Reducing BSP Niple (ISO 8434-6)

8

R605



Short Male-Female reducing (ISO 8434-6)

9

2000



Male-Female connector (ISO 8434-6)

10

2010



Male-Female reducing (ISO 8434-6)

11

2020



Male/Male extention BSP (ISO 8434-6)

12

A108



Bulkhead Union (ISO 8434-6)

12

A107



Bulkhead locknut

13

4520



90° Union elbow BSP (ISO 8434-6)

13

4530



45° Union Elbow BSP (ISO 8434-6)

14

4730



Union Tee BSP (ISO 8434-6)

14

4900



Union Cross BSP (ISO 8434-6)

15

4910



Unione a croce femmina BSP

15

4700



Swivel Run Tee (ISO 8434-6)

16

4710



Swivel Branch Tee (ISO 8434-6)

16

4800



Male Run Tee (ISO 8434-6)

17

4810



Male Branch Tee (ISO 8434-6)

17

4720



Swivel Female Union Tee BSP (ISO 8434-6)

18

2350



Reducing Female-Male BSP (ISO 8434-6)

19

4500



Swivel 90° Elbow (ISO 8434-6)

20

4510



Swivel 45° Elbow (ISO 8434-6)

20

3220



Swivel 90° Compact Elbow (ISO 8434-6)

21

3320



Swivel 45° Compact Elbow (ISO 8434-6)

21

2550



Swivel 90° Elbow (welded)

22

2650



Swivel 45° Elbow (welded)

22

2450



Straight swivel nut union BSP (ISO 8434-6)

23

4550



Swivel 90° Elbow BSP (ISO 8434-6)

23

2750



Swivel 90° Elbow (welded)

24

2850



Swivel 45° Elbow (welded)

24

4570



90° Female Union Elbow BSP

25

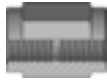
4820



Female Union Tee BSP

25

A105



Female Union (ISO 8434-6)

26

A608



Female plug BSP (ISO 8434-6)

27

A604



Female BSP plug (ISO 8434-6)

28

A605



Male plug BSP (ISO 8434-6)

29

MG



Braze-on straight connector

30

220C



Braze-on straight connector

31

2200



Braze-on stud

31

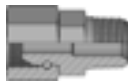
1865



Male stud connector BSP-BSPT

32

2360



Swivel Connector Female BSP/Male BSPT

33

4860



Terminale a T M BSP/ M BSPT centrale

34

4620



90° Male stud Elbow BSP-BSPT

34

4630



45° Male stud elbows BSP-BSPT

35

4600



Girevole a 90° F BSP-M BSPT

35

4610



Girevole a 45° F BSP-M BSPT

36

1875



Male stud connector BSP-NPTF

37

2365



Swivel Connector Female BSP/Male NPTF

38

4870



Terminale a T M BSP/ M
NPTF centrale

39

4670



90° Male stud Elbow
BSP-NPTF

39

4680



45° Male stud Elbow
BSP-NPTF

40

4650



Swivel 90° Elbow BSP-
NPTF

40

1700E



Male stud connector
BSP-BSPP (Form E ISO
1179-2)

41

3900



90° Adjustable stud
elbow BSP-BSP (ISO
1179)

42

3255



Adjustable 90° elbow
Swivel female BSP-BSP
(ISO 1179)

43

3950



45° Adjustable stud
elbow BSP-BSP (ISO
1179)

44

3600



Adjustable stud Run Tee
BSP-BSP (ISO 1179)

45

3605



Adjustable stud Branch
Tee BSP-BSP (ISO 1179)

46

1805



Male stud connector
BSP-Metric

47

3510



Male stud connector
BSP-Metric with O'ring
and retaining ring

48

3910



90° Adjustable stud
elbow BSP-Metric with
O'ring and retaining ring

49

3410



45° Adjustable stud
elbow BSP-Metric with
O'ring and retaining ring

50

3610



Adjustable stud Run Tee
BSP-Metric with O'ring
and retaining ring

51

3615



Adjustable stud Branch
Tee BSP-Metric with
O'ring and retaining ring

52

3520



Male stud connector
BSP-UNF (ISO 11926)

53

3920



90° Adjustable stud
elbow BSP-UNF (ISO
11926)

54

3420



45° Adjustable stud
elbow BSP-UNF (ISO
11926)

55

3620



Adjustable stud Run Tee
BSP-UNF (ISO 11926)

56

3625



Adjustable stud Branch
Tee BSP-UNF (ISO 11926)

57

1550



BSP threaded Banjo Eye

58

1560



BSP threaded Banjo Eye
with guide

58

1450



Weldable BSP Banjo Eye

59

1860



Male stud connector
BSPT

59

4626



90° Male stud Elbow
BSPT

60

4625



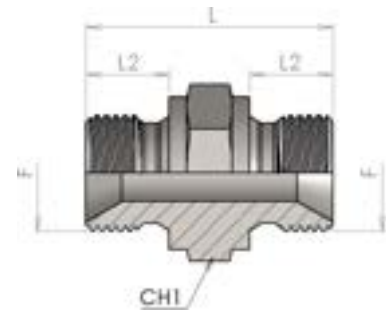
90° Male BSPT/Female
BSP Elbow

60

1700

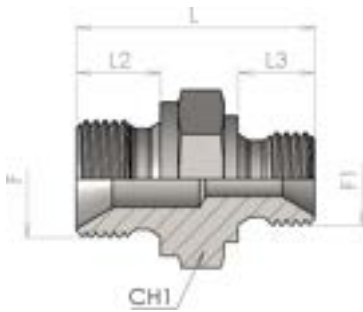
Male stud connector BSP (ISO 8434-6)

S



Product number	Ø tube		Thread	Dimension			Weight
	mm	inch	F	L	L2	CH1	kg/unit
1700-02-02	6	1/4"	G 1/8	24	8	14	0.015
1700-04-04	8	5/16"	G 1/4	32	11	19	0.032
1700-06-06	10	3/8"	G 3/8	35.5	12	22	0.051
1700-08-08	12	1/2"	G 1/2	41.5	14	27	0.089
1700-10-10	16	5/8"	G 5/8	46	16	30	0.115
1700-12-12	20	3/4"	G 3/4	47	16	32	0.136
1700-16-16	25	1"	G 1	53	19	41	0.23
1700-20-20	32	1.1/4"	G 1 1/4	57	20	50	0.365
1700-24-24	38	1.1/2"	G 1 1/2	62	22	55	0.456
1700-32-32	50	2"	G 2	71	25	70	0.783

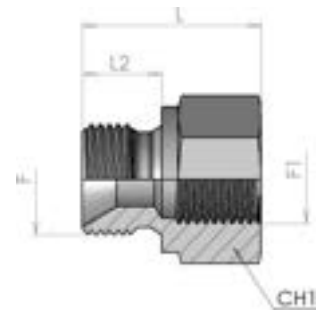
1800



Reducing BSP Niple (ISO 8434-6)

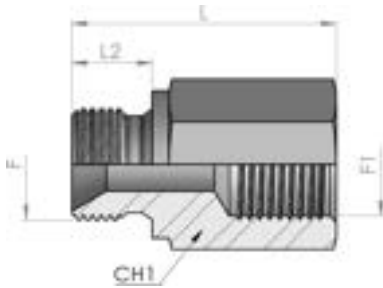
S

Product number	Ø tube		Thread		Dimension				Weight kg/unit
	mm	inch	F	F1	L	L2	L3	CH1	
1800-04-02	8-6	5/16"-1/4"	G 1/4	G 1/8	28.5	11	8	19	0.028
1800-06-02	10-6	3/8"-1/4"	G 3/8	G 1/8	31	12	8	22	0.041
1800-06-04	10-8	3/8"-5/16"	G 3/8	G 1/4	34	12	11	22	0.045
1800-08-04	12-8	1/2"-5/16"	G 1/2	G 1/4	37.5	14	11	27	0.072
1800-08-06	12-10	1/2"-3/8"	G 1/2	G 3/8	39.5	14	12	27	0.08
1800-10-08	16-12	5/8"-1/2"	G 5/8	G 1/2	41	16	14	30	0.097
1800-12-04	20-8	3/4"-5/16"	G 3/4	G 1/4	40	16	11	32	0.105
1800-12-06	20-10	3/4"-3/8"	G 3/4	G 3/8	43	16	12	32	0.118
1800-12-08	20-12	3/4"-1/2"	G 3/4	G 1/2	45	16	14	32	0.134
1800-12-10	20-16	3/4"-5/8"	G 3/4	G 5/8	46	16	16	32	0.126
1800-16-06	25-10	1"-3/8"	G 1	G 3/8	45.5	19	12	41	0.174
1800-16-08	25-12	1"-1/2"	G 1	G 1/2	48	19	14	41	0.185
1800-16-10	25-16	1"-5/8"	G 1	G 5/8	49	19	16	41	0.192
1800-16-12	25-20	1"-3/4"	G 1	G 3/4	49	19	16	41	0.19
1800-20-12	32-20	1.1/4"-3/4"	G 1 1/4	G 3/4	54	20	16	50	0.32
1800-20-16	32-25	1.1/4"-1"	G 1 1/4	G 1	55	20	19	50	0.323
1800-24-12	38-20	1.1/2"-3/4"	G 1 1/2	G 3/4	54	22	16	55	0.41
1800-24-16	38-25	1.1/2"-1"	G 1 1/2	G 1	59	22	19	55	0.414
1800-24-20	38-32	1.1/2"-1.1/4"	G 1 1/2	G 1 1/4	60	22	20	55	0.6
1800-32-16	50-25	2"-1"	G 2	G 1	64	22	19	70	0.612
1800-32-20	50-32	2"-1.1/4"	G 2	G 1 1/4	65.5	25	20	70	0.72
1800-32-24	50-38	2"-1.1/2"	G 2	G 1 1/2	67.5	25	22	70	0.735

R605**Short Male-Female reducing (ISO 8434-6)****S**

Product number	Ø tube		Thread		Dimension			Weight
	mm	inch	F	F1	L	L2	CH1	kg/unit
R605-04-02	8-6	5/16"-1/4"	G 1/4	G 1/8	23	11	19	0.03
R605-06-02	10-6	3/8"-1/4"	G 3/8	G 1/8	21.5	12	22	0.036
R605-06-04	10-8	3/8"-5/16"	G 3/8	G 1/4	27	12	22	0.046
R605-08-04	12-8	1/2"-5/16"	G 1/2	G 1/4	25	14	27	0.061
R605-08-06	12-10	1/2"-3/8"	G 1/2	G 3/8	28.5	14	27	0.065
R605-12-04	20-8	3/4"-5/16"	G 3/4	G 1/4	27	16	32	0.098
R605-12-06	20-10	3/4"-3/8"	G 3/4	G 3/8	27	16	32	0.089
R605-12-08	20-12	3/4"-1/2"	G 3/4	G 1/2	33	16	32	0.072
R605-16-06	25-10	1"-3/8"	G 1	G 3/8	30	19	41	0.164
R605-16-08	25-12	1"-1/2"	G 1	G 1/2	31	19	41	0.161
R605-16-12	25-20	1"-3/4"	G 1	G 3/4	38	19	41	0.187
R605-20-12	32-20	1.1/4"-3/4"	G 1 1/4	G 3/4	34	20	50	0.27
R605-20-16	32-25	1.1/4"-1"	G 1 1/4	G 1	34	20	50	0.218
R605-24-12	38-20	1.1/2"-3/4"	G 1 1/2	G 3/4	39	22	55	0.407
R605-24-16	38-25	1.1/2"-1"	G 1 1/2	G 1	35	22	55	0.31
R605-24-20	38-32	1.1/2"-1.1/4"	G 1 1/2	G 1 1/4	45	22	55	0.267
R605-32-20	50-32	2"-1.1/4"	G 2	G 1 1/4	42.5	25	70	0.583
R605-32-24	50-38	2"-1.1/2"	G 2	G 1 1/2	42.5	25	70	0.51

2000



Male-Female connector (ISO 8434-6)

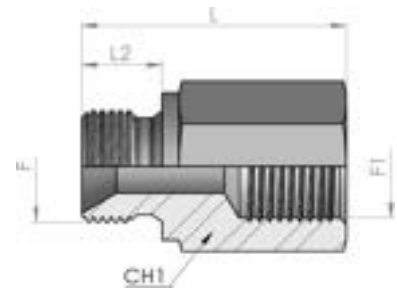
S

Product number	Ø tube		Thread		Dimension			Weight
	mm	inch	F	F1	L	L2	CH1	kg/unit
2000-02-26	6	1/4"	G 1/8	G 1/8	26	8	14	0.0188
2000-04-33	8	5/16"	G 1/4	G 1/4	33	11	19	0.041
2000-04-42	8	5/16"	G 1/4	G 1/4	42	11	19	0.06
2000-04-55	8	5/16"	G 1/4	G 1/4	55	11	19	0.077
2000-06-35	10	3/8"	G 3/8	G 3/8	35	12	22	0.0521
2000-06-42	10	3/8"	G 3/8	G 3/8	42	12	22	0.0782
2000-06-54	10	3/8"	G 3/8	G 3/8	54	12	22	0.0863
2000-06-65	10	3/8"	G 3/8	G 3/8	65	12	22	0.1134
2000-08-35	12	1/2"	G 1/2	G 1/2	35	14	27	0.0731
2000-08-45	12	1/2"	G 1/2	G 1/2	45	14	27	0.1025
2000-08-60	12	1/2"	G 1/2	G 1/2	60	14	27	0.1414
2000-08-80	12	1/2"	G 1/2	G 1/2	80	14	27	0.197
2000-12-48	20	3/4"	G 3/4	G 3/4	48	16	32	0.137
2000-12-64	20	3/4"	G 3/4	G 3/4	64	16	32	0.189
2000-12-75	20	3/4"	G 3/4	G 3/4	75	16	32	0.25
2000-16-50	25	1"	G 1	G 1	50	19	41	0.219
2000-16-90	25	1"	G 1	G 1	90	19	41	0.565
2000-20-62	32	1.1/4"	G 1 1/4	G 1 1/4	62	20	50	0.4075

2010

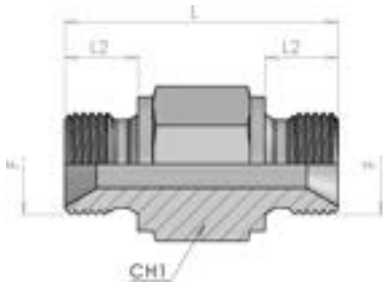
Male-Female reducing (ISO 8434-6)

S



Product number	Ø tube		Thread		Dimension			Weight kg/unit
	mm	inch	F	F1	L	L2	CH1	
2010-02-04	6-8	1/4"-5/16"	G 1/4	G 1/8	25	11	19	0.034
2010-04-02	8-6	5/16"-1/4"	G 1/8	G 1/4	29	8	19	0,0,39
2010-04-06	8-10	5/16"-3/8"	G 3/8	G 1/4	35	12	22	0.066
2010-04-08	8-12	5/16"-1/2"	G 1/2	G 1/4	34	14	27	0.078
2010-06-04	10-8	3/8"-5/16"	G 1/4	G 3/8	36	11	22	0.05
2010-06-08	10-12	3/8"-1/2"	G 1/2	G 3/8	41	14	27	0.111
2010-08-04	12-8	1/2"-5/16"	G 1/4	G 1/2	35	11	27	0.071
2010-08-06	12-10	1/2"-3/8"	G 3/8	G 1/2	38	12	27	0.083
2010-08-12	12-20	1/2"-3/4"	G 3/4	G 1/2	43	16	32	0.162
2010-08-16	12-25	1/2"-1"	G 1	G 1/2	42	19	41	0.26
2010-12-04	20-8	3/4"-5/16"	G 1/4	G 3/4	41	11	32	0.113
2010-12-06	20-10	3/4"-3/8"	G 3/8	G 3/4	42.5	12	32	0.122
2010-12-08	20-12	3/4"-1/2"	G 1/2	G 3/4	53	14	32	0.148
2010-12-16	20-25	3/4"-1"	G 1	G 3/4	49	19	41	0.167
2010-16-08	25-12	1"-1/2"	G 1/2	G 1	45	14	41	0.181
2010-16-12	25-20	1"-3/4"	G 3/4	G 1	47	16	41	0.214
2010-16-20	25-32	1"-1.1/4"	G 1 1/4	G 1	51	20	50	0.254
2010-20-12	32-20	1.1/4"-3/4"	G 3/4	G 1 1/4	51	16	50	0.275
2010-20-16	32-25	1.1/4"-1"	G 1	G 1 1/4	53	19	50	0.298
2010-20-24	32-38	1.1/4"-1.1/2"	G 1 1/2	G 1 1/4	57	22	55	0.341
2010-24-16	38-25	1.1/2"-1"	G 1	G 1 1/2	54	19	55	0.355
2010-24-20	38-32	1.1/2"-1.1/4"	G 1 1/4	G 1 1/2	52	20	55	0.557
2010-32-20	50-32	2"-1.1/4"	G 1 1/4	G 2	66	20	70	0.807
2010-32-24	50-38	2"-1.1/2"	G 1 1/2	G 2	68	22	70	0.852

2020

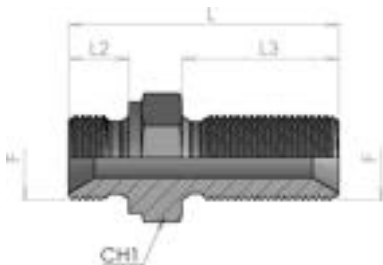


Male/Male extension BSP (ISO 8434-6)

S

Product number	Ø tube		Thread	Dimension			Weight
	mm	inch	F	L	L2	CH1	kg/unit
2020-04-04	8	5/16"	G 1/4	45	11	19	0.062
2020-06-06	10	3/8"	G 3/8	50	12	22	0.122
2020-08-08	12	1/2"	G 1/2	61	14	27	0.1948
2020-12-12	20	3/4"	G 3/4	73	16	32	0.248
2020-16-16	25	1"	G 1	84	19	41	0.48

A108



Bulkhead Union (ISO 8434-6)

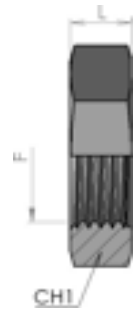
BHS

Product number	Ø tube		Thread	Dimension			Weight
	mm	inch	F	L	L2	CH1	kg/unit
A108-02Z	6	1/4"	G 1/8	34.5	8	14	0.02
A108-04Z	8	5/16"	G 1/4	46	11	19	0.057
A108-06Z	10	3/8"	G 3/8	53.5	12	22	0.084
A108-08Z	12	1/2"	G 1/2	60	14	27	0.122
A108-10Z	16	5/8"	G 5/8	65	16	30	0.146
A108-12Z	20	3/4"	G 3/4	66	16	32	0.209
A108-16Z	25	1"	G 1	73	19	41	0.328
A108-20Z	32	1.1/4"	G 1 1/4	79	20	50	0.507

A107

Bulkhead locknut

LN

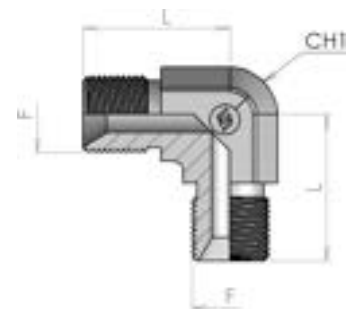


Product number	Ø tube		Thread F	Dimension		Weight kg/unit
	mm	inch		L	CH1	
A107-02	6	1/4"	G 1/8	5	14	0.004
A107-04	8	5/16"	G 1/4	6	19	0.009
A107-06	10	3/8"	G 3/8	7	22	0.013
A107-08	12	1/2"	G 1/2	8	27	0.021
A107-10	16	5/8"	G 5/8	9	30	0.027
A107-12	20	3/4"	G 3/4	9	32	0.029
A107-16	25	1"	G 1	10	41	0.055
A107-20	32	1.1/4"	G 1 1/4	13	50	0.089

4520

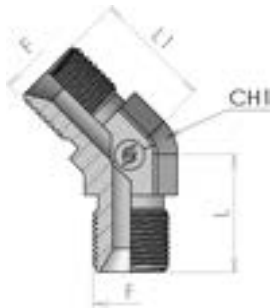
90° Union elbow BSP (ISO 8434-6)

E



Product number	Ø tube		Thread F	Dimension		Weight kg/unit
	mm	inch		L1	CH1	
4520-02	6	1/4"	G 1/8	22	12	0.021
4520-04	8	5/16"	G 1/4	27	14	0.045
4520-06	10	3/8"	G 3/8	32	19	0.085
4520-08	12	1/2"	G 1/2	36	22	0.123
4520-12	20	3/4"	G 3/4	42	27	0.178
4520-16	25	1"	G 1	46	33	0.288
4520-20	32	1.1/4"	G 1 1/4	52	41	0.512
4520-24	38	1.1/2"	G 1 1/2	59	50	0.824

4530

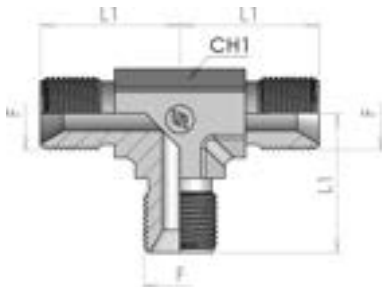


45° Union Elbow BSP (ISO 8434-6)

E45

Product number	Ø tube		Thread	Dimension			Weight
	mm	inch	F	L	L1	CH1	kg/unit
4530-04	8	5/16"	G 1/4	21.5	21.5	14	0.045
4530-06	10	3/8"	G 3/8	26	26	19	0.085
4530-08	12	1/2"	G 1/2	30	29	22	0.123
4530-12	20	3/4"	G 3/4	35	33	27	0.178
4530-16	25	1"	G 1	38.5	37.5	33	0.288

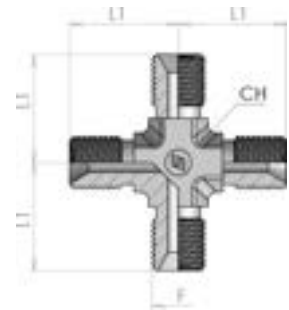
4730



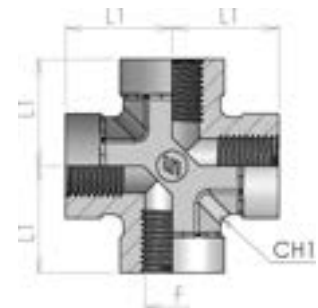
Union Tee BSP (ISO 8434-6)

T

Product number	Ø tube		Thread	Dimension		Weight
	mm	inch	F	L1	CH1	kg/unit
4730-02	6	1/4"	G 1/8	22	12	0.033
4730-04	8	5/16"	G 1/4	27	14	0.061
4730-06	10	3/8"	G 3/8	32	19	0.105
4730-08	12	1/2"	G 1/2	36	22	0.157
4730-12	20	3/4"	G 3/4	42	27	0.258
4730-16	25	1"	G 1	46	33	0.591
4730-20	32	1.1/4"	G 1 1/4	52	41	0.646
4730-24	38	1.1/2"	G 1 1/2	59	50	0.94

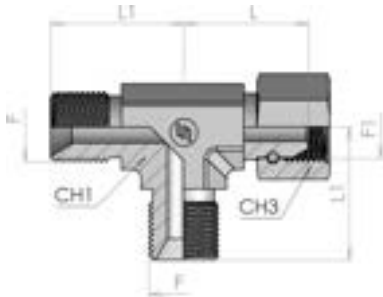
4900**Union Cross BSP (ISO 8434-6)****K**

Product number	Ø tube		Thread F	Dimension		Weight kg/unit
	mm	inch		L1	CH1	
4900-04	8	5/16"	G 1/4	27	14	0.081
4900-06	10	3/8"	G 3/8	32	19	0.13
4900-08	12	1/2"	G 1/2	36	22	0.181
4900-12	20	3/4"	G 3/4	42	27	0.312

4910**Unione a croce femmina BSP****K**

Product number	Ø tube		Thread F	Dimension		Weight kg/unit
	mm	inch		L1	CH1	
4910-02	6	1/4"	G 1/8	17	14	0.045
4910-04	8	5/16"	G 1/4	22.5	19	0.113
4910-06	10	3/8"	G 3/8	26	22	0.154
4910-08	12	1/2"	G 1/2	31	27	0.257

4700

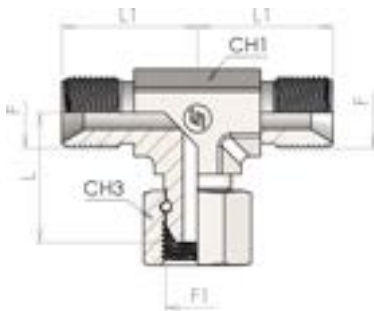


Swivel Run Tee (ISO 8434-6)

SWRT

Product number	Ø tube		Thread		Dimension				Weight kg/unit
	mm	inch	F	F1	L	L1	CH1	CH3	
4700-02	6	1/4"	G 1/8	G 1/8	20	22	12	14	0.057
4700-04	8	5/16"	G 1/4	G 1/4	25	27	14	19	0.084
4700-06	10	3/8"	G 3/8	G 3/8	30	32	19	22	0.152
4700-08	12	1/2"	G 1/2	G 1/2	34	36	22	27	0.231
4700-12	20	3/4"	G 3/4	G 3/4	40	42	27	32	0.305
4700-16	25	1"	G 1	G 1	43	46	33	41	0.474
4700-20	32	1.1/4"	G 1 1/4	G 1 1/4	49	52	41	50	0.935
4700-24	38	1.1/2"	G 1 1/2	G 1 1/2	60	59	50	55	1.427

4710



Swivel Branch Tee (ISO 8434-6)

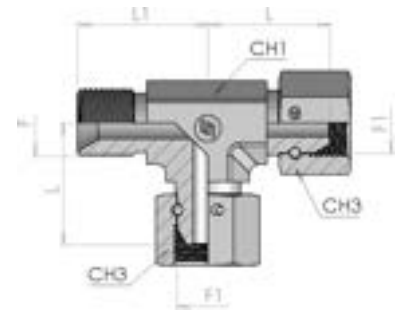
SWBT

Product number	Ø tube		Thread		Dimension				Weight kg/unit
	mm	inch	F	F1	L	L1	CH1	CH3	
4710-02	6	1/4"	G 1/8	G 1/8	20	22	12	14	0.057
4710-04	8	5/16"	G 1/4	G 1/4	25	27	14	19	0.084
4710-06	10	3/8"	G 3/8	G 3/8	30	32	19	22	0.152
4710-08	12	1/2"	G 1/2	G 1/2	34	36	22	27	0.231
4710-12	20	3/4"	G 3/4	G 3/4	40	42	27	32	0.305
4710-16	25	1"	G 1	G 1	43	46	33	41	0.474
4710-20	32	1.1/4"	G 1 1/4	G 1 1/4	49	52	41	50	0.935
4710-24	38	1.1/2"	G 1 1/2	G 1 1/2	60	59	50	55	1.427

4800

Male Run Tee (ISO 8434-6)

SWRT

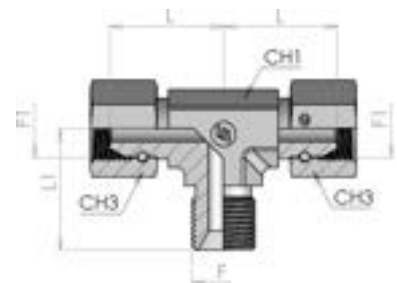


Product number	Ø tube		Thread		Dimension				Weight kg/unit
	mm	inch	F	F1	L	L1	CH1	CH3	
4800-04	8	5/16"	G 1/4	G 1/4	25	27	14	19	0.106
4800-06	10	3/8"	G 3/8	G 3/8	30	32	19	22	0.182
4800-08	12	1/2"	G 1/2	G 1/2	34	36	22	27	0.281
4800-12	20	3/4"	G 3/4	G 3/4	40	42	27	32	0.376
4800-16	25	1"	G 1	G 1	43	46	33	41	0.565

4810

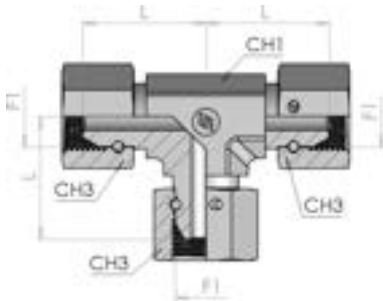
Male Branch Tee (ISO 8434-6)

SWBT



Product number	Ø tube		Thread		Dimension				Weight kg/unit
	mm	inch	F	F1	L	L1	CH1	CH3	
4810-04	8	5/16"	G 1/4	G 1/4	25	27	14	19	0.106
4810-06	10	3/8"	G 3/8	G 3/8	30	32	19	22	0.182
4810-08	12	1/2"	G 1/2	G 1/2	34	36	22	27	0.281
4810-12	20	3/4"	G 3/4	G 3/4	40	42	27	32	0.376
4810-16	25	1"	G 1	G 1	43	46	33	41	0.565

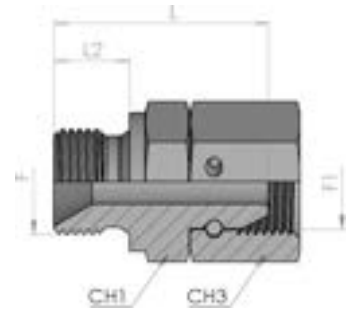
4720



Swivel Female Union Tee BSP (ISO 8434-6)

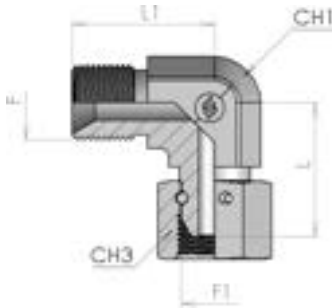
T

Product number	Ø tube		Thread	Dimension			Weight kg/unit
	mm	inch		F1	L1	CH1	
4720-02	6	1/4"	G 1/8	22	12	14	0.058
4720-04	8	5/16"	G 1/4	27	14	19	0.125
4720-06	10	3/8"	G 3/8	32	19	22	0.296
4720-08	12	1/2"	G 1/2	36	22	27	0.324
4720-12	20	3/4"	G 3/4	42	27	32	0.483
4720-16	25	1"	G 1	46	33	41	0.699
4720-20	32	1.1/4"	G 1 1/4	52	41	50	1.294
4720-24	38	1.1/2"	G 1 1/2	59	50	55	1.832

2350**Reducing Female-Male BSP (ISO
8434-6)****RDSW**

Product number	Ø tube		Thread		Dimension				Weight kg/unit
	mm	inch	F	F1	L	L2	CH1	CH3	
2350-02-02	6	1/4"	G 1/8	G 1/8	23	8	14	14	0.03
2350-04-04	8	5/16"	G 1/4	G 1/4	29	11	19	19	0.049
2350-04-06	8-10	5/16"-3/8"	G 1/4	G 3/8	31.5	11	19	22	0.064
2350-06-04	10-8	3/8"-5/16"	G 3/8	G 1/4	31.5	12	22	19	0.061
2350-06-06	10	3/8"	G 3/8	G 3/8	34	12	22	22	0.076
2350-06-08	10-12	3/8"-1/2"	G 3/8	G 1/2	36	12	22	27	0.105
2350-06-12	10-20	3/8"-3/4"	G 3/8	G 3/4	39	12	27	32	0.145
2350-08-06	12-10	1/2"-3/8"	G 1/2	G 3/8	37.5	14	27	22	0.099
2350-08-08	12	1/2"	G 1/2	G 1/2	39.5	14	27	27	0.128
2350-08-10	12-16	1/2"-5/8"	G 1/2	G 5/8	37	14	27	30	0.16
2350-08-12	12-20	1/2"-3/4"	G 1/2	G 3/4	40	14	27	32	0.152
2350-10-10	16	5/8"	G 5/8	G 5/8	39	16	30	30	0.164
2350-12-08	20-12	3/4"-1/2"	G 3/4	G 1/2	39	16	32	27	0.161
2350-12-12	20	3/4"	G 3/4	G 3/4	43.5	16	32	32	0.188
2350-12-16	20-25	3/4"-1"	G 3/4	G 1	44	16	32	38	0.214
2350-16-12	25-20	1"-3/4"	G 1	G 3/4	47.5	19	41	32	0.258
2350-16-16	25	1"	G 1	G 1	48	19	41	41	0.279
2350-16-20	25-32	1"-1.1/4"	G 1	G 1 1/4	50.5	19	41	50	0.426
2350-20-20	32	1.1/4"	G 1 1/4	G 1 1/4	54.5	20	50	50	0.536
2350-24-20	38-32	1.1/2"-1.1/4"	G 1 1/2	G 1 1/4	55.5	22	55	50	0.587
2350-24-24	38	1.1/2"	G 1 1/2	G 1 1/2	57.5	22	55	55	0.619
2350-32-32	50	2"	G 2	G 2	62.5	25	70	70	0.781

4500

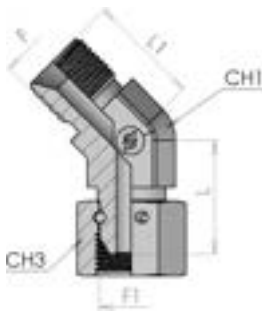


Swivel 90° Elbow (ISO 8434-6)

SWE

Product number	Ø tube		Thread		Dimension				Weight
	mm	inch	F	F1	L	L1	CH1	CH3	kg/unit
4500-02	6	1/4"	G 1/8	G 1/8	20	22	12	14	0.026
4500-04	8	5/16"	G 1/4	G 1/4	25	27	14	19	0.062
4500-06	10	3/8"	G 3/8	G 3/8	30	32	19	22	0.104
4500-08	12	1/2"	G 1/2	G 1/2	36	34	22	27	0.159
4500-10	16	5/8"	G 5/8	G 5/8	36	36	22	30	0.158
4500-12	20	3/4"	G 3/4	G 3/4	40	42	27	32	0.226
4500-16	25	1"	G 1	G 1	43	46	33	41	0.377
4500-20	32	1.1/4"	G 1.1/4	G 1.1/4	49	52	41	50	0.65
4500-24	38	1.1/2"	G 1.1/2	G 1.1/2	60	59	50	55	0.999

4510



Swivel 45° Elbow (ISO 8434-6)

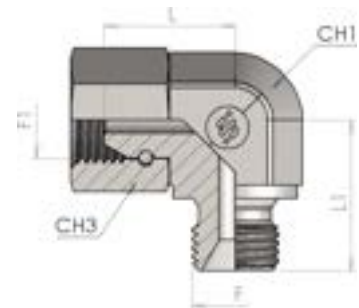
SWE45

Product number	Ø tube		Thread		Dimension				Weight
	mm	inch	F	F1	L	L1	CH1	CH3	kg/unit
4510-02	6	1/4"	G 1/8	G 1/8	19	20	12	14	0.026
4510-04	8	5/16"	G 1/4	G 1/4	23.5	21.5	14	19	0.062
4510-06	10	3/8"	G 3/8	G 3/8	26	26	19	22	0.104
4510-08	12	1/2"	G 1/2	G 1/2	32	29	22	27	0.159
4510-12	20	3/4"	G 3/4	G 3/4	33	32	27	32	0.226
4510-16	25	1"	G 1	G 1	37	37.5	33	41	0.377
4510-20	32	1.1/4"	G 1.1/4	G 1.1/4	37	39	41	50	0.411
4510-24	38	1.1/2"	G 1.1/2	G 1.1/2	47	46	50	55	0.649

3220

Swivel 90° Compact Elbow (ISO 8434-6)

SWE

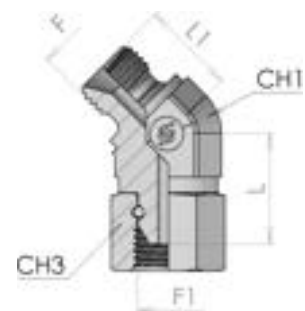


Product number	Ø tube		Thread		Dimension				Weight kg/unit
	mm	inch	F	F1	L	L1	CH1	CH3	
3220-02-02	6	1/4"	G 1/8	G 1/8	17	17	14	14	0.026
3220-04-04	8	5/16"	G 1/4	G 1/4	20	23	19	19	0.061
3220-06-06	10	3/8"	G 3/8	G 3/8	24	25	22	22	0.089
3220-08-08	12	1/2"	G 1/2	G 1/2	28	31	27	27	0.157
3220-12-12	20	3/4"	G 3/4	G 3/4	34	35	33	32	0.293
3220-16-16	25	1"	G 1	G 1	39	43	41	41	0.473
3220-20-20	32	1.1/4"	G 1 1/4	G 1 1/4	47	50	50	50	0.855
3200-24-24	38	1.1/2"	G 1 1/2	G 1 1/2	57	56	60	55	1.17
3200-32-32	50	2"	G 2	G 2	60	67	75	70	2.011

3320

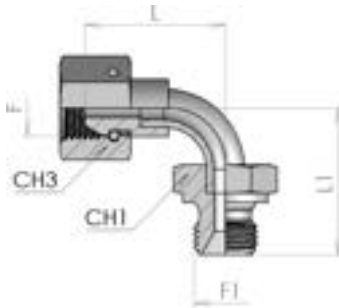
Swivel 45° Compact Elbow (ISO 8434-6)

SWE45



Product number	Ø tube		Thread		Dimension				Weight kg/unit
	mm	inch	F	F1	L	L1	CH1	CH3	
3320-04-04	8	5/16"	G 1/4	G 1/4	22.5	18	19	19	0.054
3320-06-06	10	3/8"	G 3/8	G 3/8	25	21.5	22	22	0.082
3320-08-08	12	1/2"	G 1/2	G 1/2	32	22.5	27	27	0.141
3320-12-12	20	3/4"	G 3/4	G 3/4	35.5	31.5	32	32	0.248
3320-16-16	25	1"	G 1	G 1	42	33	41	38	0.443

2550



Swivel 90° Elbow (welded)

Product number	Ø tube		Thread		Dimension				Weight
	mm	inch	F	F1	L	L1	CH1	CH3	kg/unit
2550-04-04	8	5/16"	G 1/4	G 1/4	30	32	19	19	0.062
2550-06-06	10	3/8"	G 3/8	G 3/8	37	38	22	22	0.102
2550-08-08	12	1/2"	G 1/2	G 1/2	44	43	27	27	0.108
2550-12-12	20	3/4"	G 3/4	G 3/4	59	62	32	32	0.243
2550-16-16	25	1"	G 1	G 1	66	68	41	41	0.422
2550-20-20	32	1.1/4"	G 1 1/4	G 1 1/4	71	76	50	50	0.575
2550-24-24	38	1.1/2"	G 1 1/2	G 1 1/2	89	93	55	55	0.707
2550-32-32	50	2"	G 2	G 2	113	123	70	70	1.626

2650



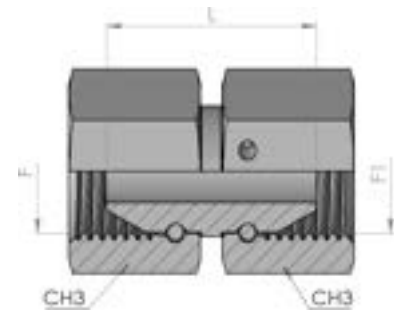
Swivel 45° Elbow (welded)

Product number	Ø tube		Thread		Dimension				Weight
	mm	inch	F	F1	L	L1	CH1	CH3	kg/unit
2650-04-04	8	5/16"	G 1/4	G 1/4	17	44	19	19	0.062
2650-06-06	10	3/8"	G 3/8	G 3/8	20	52	22	22	0.102
2650-08-08	12	1/2"	G 1/2	G 1/2	23	53	27	27	0.108
2650-12-12	20	3/4"	G 3/4	G 3/4	29	73	32	32	0.243
2650-16-16	25	1"	G 1	G 1	35	85	41	41	0.422
2650-20-20	32	1.1/4"	G 1 1/4	G 1 1/4	33	84	50	50	0.575
2650-24-24	38	1.1/2"	G 1 1/2	G 1 1/2	41	103	55	55	0.707
2650-32-32	50	2"	G 2	G 2	53	134	65	70	1.626

2450

Straight swivel nut union BSP (ISO 8434-6)

S

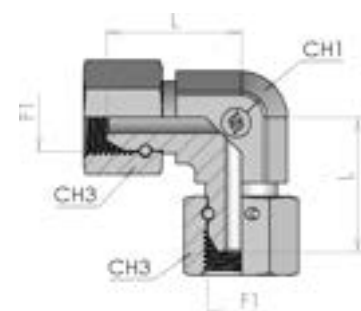


Product number	Ø tube		Thread		Dimension		Weight kg/unit
	mm	inch	F	F1	L	CH3	
2450-02-02	6	1/4"	G 1/8	G 1/8	10	14	0.023
2450-04-04	8	5/16"	G 1/4	G 1/4	22	19	0.061
2450-06-06	10	3/8"	G 3/8	G 3/8	29	22	0.084
2450-08-08	12	1/2"	G 1/2	G 1/2	32	27	0.137
2450-10-10	16	5/8"	G 5/8	G 5/8	29	30	0.177
2450-12-12	20	3/4"	G 3/4	G 3/4	37.5	32	0.206
2450-16-16	25	1"	G 1	G 1	42	41	0.2946
2450-20-20	32	1.1/4"	G 1 1/4	G 1 1/4	50	50	0.618
2450-24-24	38	1.1/2"	G 1 1/2	G 1 1/2	53	55	0.714
2450-32-32	50	2"	G 2	G 2	50	70	1.135

4550

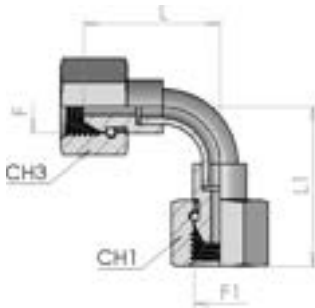
Swivel 90° Elbow BSP (ISO 8434-6)

E



Product number	Ø tube		Dimension		Weight kg/unit
	mm	inch	CH1	CH3	
4550-04	8	5/16"	14	19	0.044
4550-06	10	3/8"	19	22	0.088
4550-08	12	1/2"	22	27	0.134
4550-12	20	3/4"	27	32	0.219
4550-16	25	1"	32	41	0.339
4550-20	32	1.1/4"	41	50	0.576
4550-24	38	1.1/2"	50	55	0.978

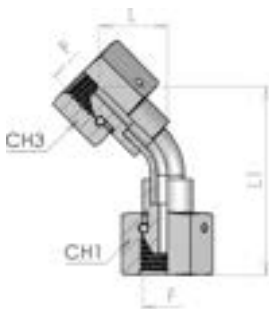
2750



Swivel 90° Elbow (welded)

Product number	Ø tube		Thread		Dimension				Weight
	mm	inch	F	F1	L	L1	CH1	CH3	kg/unit
2750-04-04	8	5/16"	G 1/4	G 1/4	30	35	19	19	0.07
2750-06-06	10	3/8"	G 3/8	G 3/8	37	43	22	22	0.107
2750-08-08	12	1/2"	G 1/2	G 1/2	44	49	27	27	0.111
2750-12-12	20	3/4"	G 3/4	G 3/4	59	67	32	32	0.252
2750-16-16	25	1"	G 1	G 1	66	76	38	41	0.431
2750-20-20	32	1.1/4"	G 1 1/4	G 1 1/4	71	70	50	50	0.586
2750-24-24	38	1.1/2"	G 1 1/2	G 1 1/2	89	98	55	55	0.718
2750-32-32	50	2"	G 2	G 2	113	127	70	70	1.711

2850



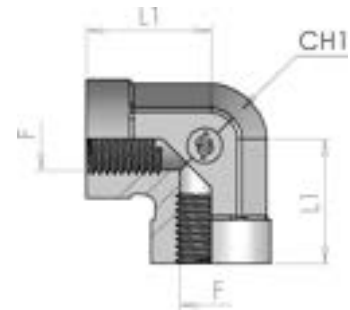
Swivel 45° Elbow (welded)

Product number	Ø tube		Thread		Dimension				Weight
	mm	inch	F	F1	L	L1	CH1	CH3	kg/unit
2850-04-04	8	5/16"	G 1/4	G 1/4	17	47	19	19	0.07
2850-06-06	10	3/8"	G 3/8	G 3/8	20	57	22	22	0.107
2850-08-08	12	1/2"	G 1/2	G 1/2	23	59	27	27	0.111
2850-12-12	20	3/4"	G 3/4	G 3/4	29	79	32	32	0.252
2850-16-16	25	1"	G 1	G 1	35	93	38	41	0.431
2850-20-20	32	1.1/4"	G 1 1/4	G 1 1/4	33	87	50	50	0.586
2850-24-24	38	1.1/2"	G 1 1/2	G 1 1/2	41	108	55	55	0.718
2850-32-32	50	2"	G 2	G 2	53	139	70	70	1.711

4570

90° Female Union Elbow BSP

E

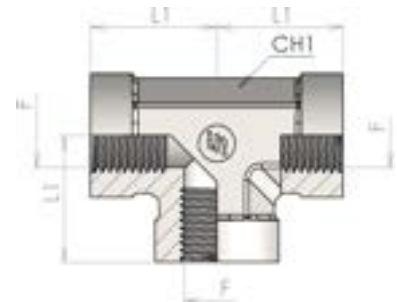


Product number	Ø tube		Thread F	Dimension		Weight kg/unit
	mm	inch		L1	CH1	
4570-02	6	1/4"	G 1/8	17	14	0.06
4570-04	8	5/16"	G 1/4	22.5	19	0.081
4570-06	10	3/8"	G 3/8	26	22	0.01
4570-08	12	1/2"	G 1/2	31	27	0.184
4570-12	20	3/4"	G 3/4	34.5	33	0.263
4570-16	25	1"	G 1	41	41	0.502
4570-20	32	1.1/4"	G 1 1/4	43	50	0.663

4820

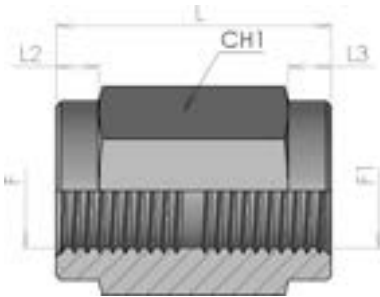
Female Union Tee BSP

T



Product number	Ø tube		Thread F	Dimension		Weight kg/unit
	mm	inch		L1	CH1	
4820-02	6	1/4"	G 1/8	17	14	0.04
4820-04	8	5/16"	G 1/4	22.5	19	0.074
4820-06	10	3/8"	G 3/8	26	22	0.111
4820-08	12	1/2"	G 1/2	31	27	0.177
4820-12	20	3/4"	G 3/4	34.5	33	0.294
4820-16	25	1"	G 1	41	41	0.567
4820-20	32	1.1/4"	G 1 1/4	43	50	0.0835

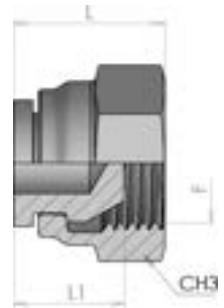
A105



Female Union (ISO 8434-6)

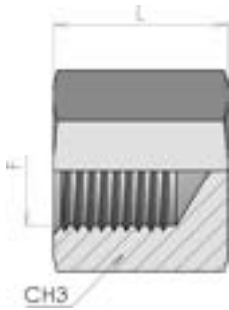
S

Product number	Ø tube		Thread		Dimension				Weight kg/unit
	mm	inch	F	F1	L	L2	L3	CH1	
A105-02-02	6	1/4"	G 1/8	G 1/8	21	4.5	4.5	14	0.015
A105-02-04	6-8	1/4"-5/16"	G 1/8	G 1/4	29	4.5	4.5	19	0.029
A105-04-04	8	5/16"	G 1/4	G 1/4	29	4.5	4.5	19	0.034
A105-04-06	8-10	5/16"-3/8"	G 1/4	G 3/8	31	4.5	4.5	22	0.059
A105-06-06	10	3/8"	G 3/8	G 3/8	29	4.5	4.5	22	0.048
A105-06-08	10-12	3/8"-1/2"	G 3/8	G 1/2	32	4.5	4.5	27	0.082
A105-08-08	12	1/2"	G 1/2	G 1/2	34	4.5	4.5	27	0.081
A105-08-12	12-20	1/2"-3/4"	G 1/2	G 3/4	38	4.5	4.5	32	0.126
A105-12-12	20	3/4"	G 3/4	G 3/4	38	4.5	4.5	32	0.108
A105-12-16	20-25	3/4"-1"	G 3/4	G 1	43	4.5	4.5	41	0.152
A105-16-16	25	1"	G 1	G 1	43	4.5	4.5	41	0.211
A105-20-20	32	1.1/4"	G 1 1/4	G 1 1/4	47	4.5	4.5	50	0.312
A105-24-24	38	1.1/2"	G 1 1/2	G 1 1/2	51	4.5	4.5	55	0.357
A105-32-32	50	2"	G 2	G 2	57	4.5	4.5	70	0.591

A608**Female plug BSP (ISO 8434-6)****BRNP**

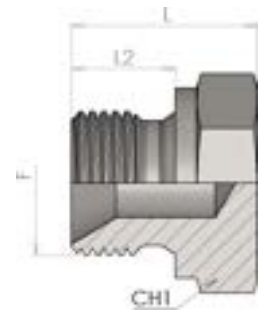
Product number	Ø tube		Thread	Dimension			Weight
	mm	inch	F	L	L1	CH3	kg/unit
A608-02	6	1/4"	G 1/8	14	10.5	14	0.003
A608-04	8	5/16"	G 1/4	16	12	19	0.008
A608-06	10	3/8"	G 3/8	20	15	22	0.014
A608-08	12	1/2"	G 1/2	24	17	27	0.024
A608-10	16	5/8"	G 5/8	24	15	30	0.27
A608-12	20	3/4"	G 3/4	27	19	32	0.044
A608-16	25	1"	G 1	31	21	41	0.076
A608-20	32	1.1/4"	G 1 1/4	31	23.5	50	0.144
A608-24	38	1.1/2"	G 1 1/2	31	25.5	55	0.195
A608-32	50	2"	G 2	36	23	70	0.286

A604



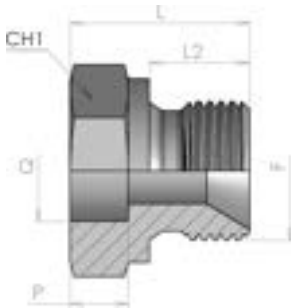
Female BSP plug (ISO 8434-6)

Product number	Ø tube		Thread	Dimension		Weight
	mm	inch	F	L	CH3	kg/unit
A604-02	6	1/4"	G 1/8	15.5	14	0.017
A604-04	8	5/16"	G 1/4	19	19	0.032
A604-06	10	3/8"	G 3/8	17	22	0.05
A604-08	12	1/2"	G 1/2	23	27	0.07
A604-10	16	5/8"	G 5/8	19	30	0.093
A604-12	20	3/4"	G 3/4	22	32	0.109
A604-16	25	1"	G 1	31	41	0.202
A604-20	32	1.1/4"	G 1 1/4	36	50	0.371
A604-24	38	1.1/2"	G 1 1/2	41	55	0.494
A604-32	50	2"	G 2	45.5	70	0.881

A605**Male plug BSP (ISO 8434-6)****PL**

Product number	Ø tube		Thread F	Dimension			Weight kg/unit
	mm	inch		L	L2	CH1	
A605-02	6	1/4"	G 1/8	14.5	8	14	0.011
A605-04	8	5/16"	G 1/4	19	11	19	0.024
A605-06	10	3/8"	G 3/8	21.5	12	22	0.039
A605-08	12	1/2"	G 1/2	25	14	27	0.067
A605-10	16	5/8"	G 5/8	27	16	30	0.088
A605-12	20	3/4"	G 3/4	27	16	32	0.098
A605-16	25	1"	G 1	31	19	41	0.168
A605-20	32	1.1/4"	G 1 1/4	34	20	50	0.317
A605-24	38	1.1/2"	G 1 1/2	39	22	55	0.434
A605-32	50	2"	G 2	42.5	25	70	0.76

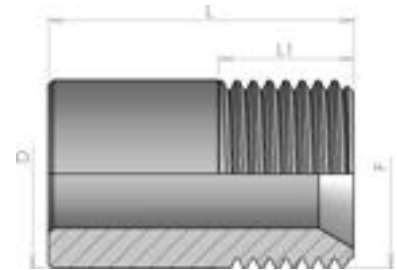
MG



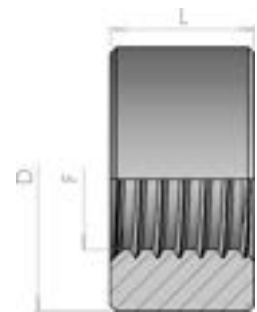
Braze-on straight connector

BRS

Product number	Ø tube		Thread	Dimension					Weight
	mm	inch	F	P	Q	L	L2	CH1	kg/unit
MG-04-08	8	5/16"	G 1/4	6	8	19	11	19	0.023
MG-06-12	10	3/8"	G 3/8	7	12	21.5	12	22	0.034
MG-08-14	12	1/2"	G 1/2	8	14	25	14	27	0.057
MG-08-16	12	1/2"	G 1/2	8	16	25	14	27	0.055
MG-08-18	12	1/2"	G 1/2	8	18	25	14	27	0.053
MG-08-20	12	1/2"	G 1/2	5	20	24	14	27	0.051
MG-12-20	20	3/4"	G 3/4	9	20	27	16	32	0.083
MG-12-22	20	3/4"	G 3/4	8	22	27	16	32	0.08
MG-12-25	20	3/4"	G 3/4	9	25	27	16	32	0.07
MG-16-25	25	1"	G 1	9	25	30	19	41	0.147
MG-16-30	25	1"	G 1	9	30	30	19	41	0.132
MG-20-32	32	1.1/4"	G 1 1/4	9	32	34	20	50	0.25
MG-24-38	38	1.1/2"	G 1 1/2	10	38	35	22	55	0.281

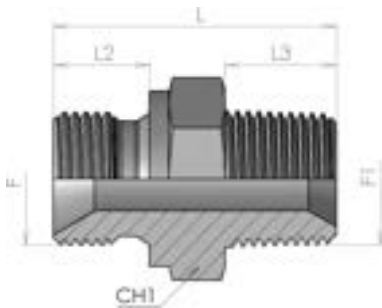
220C**Braze-on straight connector**

Product number	Ø tube		Thread	Dimension			Weight
	mm	inch	F	D	L	L1	kg/unit
220C-02	6	1/4"	G 1/8	10	22	9	0.01
220C-04	8	5/16"	G 1/4	14	30	12	0.024
220C-06	10	3/8"	G 3/8	17	32	14	0.036
220C-08	12	1/2"	G 1/2	21	34	15	0.056
220C-12	20	3/4"	G 3/4	28	40	16	0.12
220C-16	25	1"	G 1	34	41	19	0.167
220C-20	32	1.1/4"	G 1 1/4	48	50	23	0.355

2200**Braze-on stud**

Product number	Ø tube		Thread	Dimension		Weight
	mm	inch	F	D	L	kg/unit
2200-02	6	1/4"	G 1/8	20	13	0.025
2200-04	8	5/16"	G 1/4	22	16	0.033
2200-06	10	3/8"	G 3/8	26	17	0.045
2200-08	12	1/2"	G 1/2	30	18	0.056
2200-12	20	3/4"	G 3/4	38	20	0.098
2200-16	25	1"	G 1	45	25	0.155
2200-20	32	1.1/4"	G 1 1/4	55	25	0.212
2200-24	38	1.1/2"	G 1 1/2	62	30	0.31
2200-32	50	2"	G 2	70	30	0.272

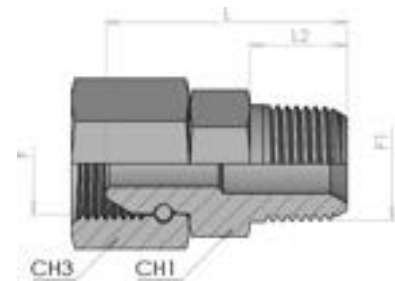
1865



Male stud connector BSP-BSPT

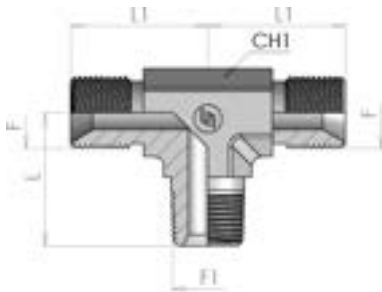
SDS

Product number	Ø tube		Thread		Dimension				Weight
	mm	inch	F	F1	L	L2	L3	CH1	kg/unit
1865-02-02	6	1/4"	G 1/8	R 1/8 K	23.5	8	9	14	0.014
1865-04-04	8	5/16"	G 1/4	R 1/4 K	33	11	14	19	0.034
1865-06-06	10	3/8"	G 3/8	R 3/8 K	35.5	12	14	22	0.049
1865-08-08	12	1/2"	G 1/2	R 1/2 K	41	14	18	27	0.082
1865-08-12	12-20	1/2"-3/4"	G 1/2	R 3/4 K	45.5	14	19	27	0.109
1865-12-08	20-12	3/4"-1/2"	G 3/4	R 1/2 K	45	16	18	32	0.121
1865-12-12	20	3/4"	G 3/4	R 3/4 K	46	16	19	32	0.136
1865-16-16	25	1"	G 1	R 1 K	54	19	24	41	0.224
1865-20-20	32	1.1/4"	G 1 1/4	R 1 1/4 K	59	20	24.5	50	0.361
1865-24-24	38	1.1/2"	G 1 1/2	R 1 1/2 K	60.5	22	25.5	55	0.448
1865-32-32	50	2"	G 2	R 2 K	72.5	25	30	70	0.816

2360**Swivel Connector Female BSP/Male
BSPT****SWS**

Product number	Ø tube		Thread		Dimension				Weight kg/unit
	mm	inch	F	F1	L	L2	CH1	CH3	
2360-02-02	6	1/4"	G 1/8	R 1/8 K	29	10	12	14	0.03
2360-04-04	8	5/16"	G 1/4	R 1/4 K	33	14.5	14	19	0.049
2360-06-06	10	3/8"	G 3/8	R 3/8 K	36	14.5	19	22	0.076
2360-06-08	10-12	3/8"-1/2"	G 3/8	R 1/2 K	40	19	22	22	0.105
2360-08-06	12-10	1/2"-3/8"	G 1/2	R 3/8 K	42	14.5	22	27	0.099
2360-08-08	12	1/2"	G 1/2	R 1/2 K	45	19	22	27	0.128
2360-12-08	20-12	3/4"-1/2"	G 3/4	R 1/2 K	47	19	27	32	0.161
2360-12-12	20	3/4"	G 3/4	R 3/4 K	47	19.5	27	32	0.188
2360-12-16	20-25	3/4"-1"	G 3/4	R 1 K	55	24	36	41	0.214
2360-16-16	25	1"	G 1	R 1 K	60	24	36	41	0.279
2360-20-20	32	1.1/4"	G 1 1/4	R 1 1/4 K	62	24.5	46	50	0.536
2360-24-24	38	1.1/2"	G 1 1/2	R 1 1/2 K	67	25.5	50	55	0.619

4860

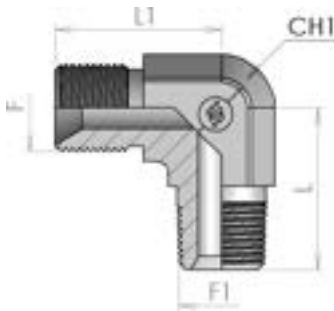


Terminale a T M BSP/ M BSPT centrale

SDEBT

Product number	Ø tube		Thread		Dimension			Weight kg/unit
	mm	inch	F	F1	L	L1	CH1	
4860-02	6	1/4"	G 1/8	R 1/8 K	19.5	22	12	0.031
4860-04	8	5/16"	G 1/4	R 1/4 K	27.5	27	14	0.066
4860-06	10	3/8"	G 3/8	R 3/8 K	31	32	19	0.124
4860-08	12	1/2"	G 1/2	R 1/2 K	36	36	22	0.187
4860-12	20	3/4"	G 3/4	R 3/4 K	40.5	42	27	0.3
4860-16	25	1"	G 1	R 1 K	50	46	33	0.442
4860-20	32	1.1/4"	G 1.1/4	R 1.1/4 K	60.5	52	41	0.783

4620



90° Male stud Elbow BSP-BSPT

SDE

Product number	Ø tube		Thread		Dimension			Weight kg/unit
	mm	inch	F	F1	L	L1	CH1	
4620-02	6	1/4"	G 1/8	R 1/8 K	19.5	22	12	0.015
4620-04	8	5/16"	G 1/4	R 1/4 K	27.5	27	14	0.042
4620-06	10	3/8"	G 3/8	R 3/8 K	31	32	19	0.093
4620-08	12	1/2"	G 1/2	R 1/2 K	36	36	22	0.142
4620-12	20	3/4"	G 3/4	R 3/4 K	40.5	42	27	0.231
4620-16	25	1"	G 1	R 1 K	50	46	33	0.372
4620-20	32	1.1/4"	G 1.1/4	R 1.1/4 K	60.5	52	41	0.593
4620-24	38	1.1/2"	G 1.1/2	R 1.1/2 K	67	59	50	0.835

4630

45° Male stud elbows BSP-BSPT

SDE45

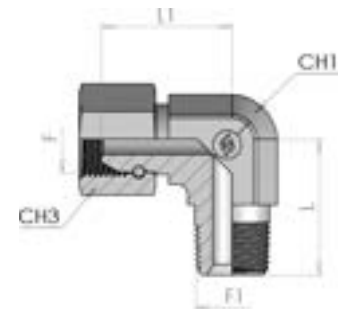


Product number	Ø tube		Thread		Dimension			Weight kg/unit
	mm	inch	F	F1	L	L1	CH1	
4630-02	6	1/4"	G 1/8	R 1/8 K	18.5	20	12	0.015
4630-04	8	5/16"	G 1/4	R 1/4 K	23	21.5	14	0.042
4630-06	10	3/8"	G 3/8	R 3/8 K	26	26	19	0.093
4630-08	12	1/2"	G 1/2	R 1/2 K	31	29	22	0.142
4630-12	20	3/4"	G 3/4	R 3/4 K	33.5	33	27	0.231
4630-16	25	1"	G 1	R 1 K	39	37.5	33	0.372

4600

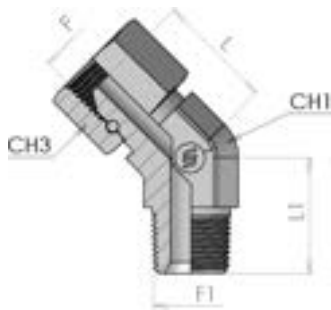
Girevole a 90° F BSP-M BSPT

SWE



Product number	Ø tube		Thread		Dimension				Weight kg/unit
	mm	inch	F	F1	L	L1	CH1	CH3	
4600-02	6	1/4"	G 1/8	R 1/8 K	19.5	20	12	14	0.017
4600-04	8	5/16"	G 1/4	R 1/4 K	27.5	25	14	19	0.046
4600-06	10	3/8"	G 3/8	R 3/8 K	31	30	19	22	0.09
4600-08	12	1/2"	G 1/2	R 1/2 K	36	34	22	27	0.139
4600-12	20	3/4"	G 3/4	R 3/4 K	40.5	40	27	32	0.232
4600-16	25	1"	G 1	R 1 K	50	43	33	41	0.261
4600-20	32	1.1/4"	G 1 1/4	R 1 1/4 K	60.5	49	41	50	0.484
4600-24	38	1.1/2"	G 1 1/2	R 1 1/2 K	67	60	50	55	0.831

4610



Girevole a 45° F BSP-M BSPT

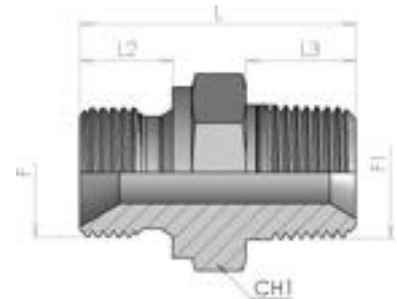
SWE45

Product number	Ø tube		Thread		Dimension				Weight
	mm	inch	F	F1	L	L1	CH1	CH3	kg/unit
4610-04	8	5/16"	G 1/4	R 1/4 K	21	26	14	19	0.045
4610-06	10	3/8"	G 3/8	R 3/8 K	25.5	25.5	19	22	0.072
4610-08	12	1/2"	G 1/2	R 1/2 K	25	29	22	27	0.099
4610-12	20	3/4"	G 3/4	R 3/4 K	33	31	27	32	0.172
4610-16	25	1"	G 1	R 1 K	45	33.5	33	38	0.304

1875

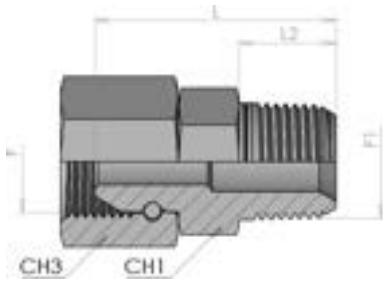
Male stud connector BSP-NPTF

SDS



Product number	Ø tube		Thread		Dimension				Weight kg/unit
	mm	inch	F	F1	L	L2	L3	CHI	
1875-02-02	6	1/4"	G 1/8	1/8 NPTF	24.5	8	10	14	0.015
1875-04-04	8	5/16"	G 1/4	1/4 NPTF	33	11	14.5	19	0.032
1875-04-06	8-10	5/16"-3/8"	G 1/4	3/8 NPTF	34	11	14.5	19	0.04
1875-06-04	10-8	3/8"-5/16"	G 3/8	1/4 NPTF	35.5	12	14.5	22	0.047
1875-06-06	10	3/8"	G 3/8	3/8 NPTF	35.5	12	14.5	22	0.051
1875-06-08	10-12	3/8"-1/2"	G 3/8	1/2 NPTF	40.5	12	19	22	0.061
1875-08-06	12-10	1/2"-3/8"	G 1/2	3/8 NPTF	39.5	14	14.5	27	0.068
1875-08-08	12	1/2"	G 1/2	1/2 NPTF	44	14	19	27	0.083
1875-08-12	12-20	1/2"-3/4"	G 1/2	3/4 NPTF	45.5	14	19	27	0.101
1875-12-08	20-12	3/4"-1/2"	G 3/4	1/2 NPTF	45.5	16	19	32	0.116
1875-12-12	20	3/4"	G 3/4	3/4 NPTF	46	16	19.5	32	0.119
1875-12-16	20-25	3/4"-1"	G 3/4	1 NPTF	53	16	24	36	0.203
1875-16-12	25-20	1"-3/4"	G 1	3/4 NPTF	49	19	19	41	0.199
1875-16-16	25	1"	G 1	1 NPTF	54	19	24	41	0.222
1875-16-20	25-32	1"-1.1/4"	G 1	1 1/4 NPTF	57	19	24.5	46	0.264
1875-20-20	32	1.1/4"	G 1 1/4	1 1/4 NPTF	58.5	20	24.5	50	0.306
1875-24-24	38	1.1/2"	G 1 1/2	1 1/2 NPTF	60.5	22	25.5	55	0.431
1875-32-32	50	2"	G 2	2 NPTF	68.5	25	26	70	0.755

2365



Swivel Connector Female BSP/Male NPTF

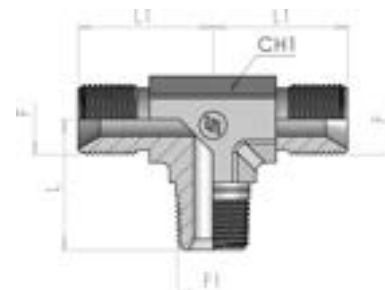
SWS

Product number	Ø tube		Thread		Dimension				Weight kg/unit
	mm	inch	F	F1	L	L2	CH1	CH3	
2365-02-02	6	1/4"	G 1/8	1/8 NPTF	27	10	12	14	0.03
2365-04-04	8	5/16"	G 1/4	1/4 NPTF	33	14	14	19	0.049
2365-04-06	8-10	5/16"-3/8"	G 1/4	3/8 NPTF	36	14.5	17	22	0.064
2365-06-04	10-8	3/8"-5/16"	G 3/8	1/4 NPTF	34	14	19	19	0.061
2365-06-06	10	3/8"	G 3/8	3/8 NPTF	36	14.5	19	22	0.076
2365-06-08	10-12	3/8"-1/2"	G 3/8	1/2 NPTF	40	19	22	27	0.105
2365-08-06	12-10	1/2"-3/8"	G 1/2	3/8 NPTF	39	14.5	22	22	0.099
2365-08-08	12	1/2"	G 1/2	1/2 NPTF	43.5	19	22	27	0.128
2365-08-12	12-20	1/2"-3/4"	G 1/2	3/4 NPTF	46	19.5	27	32	0.152
2365-12-08	20-12	3/4"-1/2"	G 3/4	1/2 NPTF	47	19	27	27	0.161
2365-12-12	20	3/4"	G 3/4	3/4 NPTF	46	19.5	27	32	0.188
2365-12-16	20-25	3/4"-1"	G 3/4	1 NPTF	55	24	36	41	0.214
2365-16-12	25-20	1"-3/4"	G 1	3/4 NPTF	54	19	36	41	0.258
2365-16-16	25	1"	G 1	1 NPTF	60	24	36	41	0.279
2365-20-20	32	1.1/4"	G 1 1/4	1 1/4 NPTF	62	24.5	46	50	0.536
2365-24-24	38	1.1/2"	G 1 1/2	1 1/2 NPTF	67	25.5	50	55	0.619

4870

Terminale a T M BSP/ M NPTF centrale

SDEBT

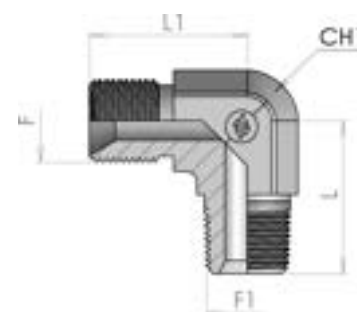


Product number	Ø tube		Thread		Dimension			Weight kg/unit
	mm	inch	F	F1	L	L1	CH1	
4870-02	6	1/4"	G 1 1/4	1 1/2 NPTF	19.5	22	12	0.031
4870-04	8	5/16"	G 1 1/2	1 1/2 NPTF	27.5	27	14	0.066
4870-06	10	3/8"	G 2	2 NPTF	31	32	19	0.124
4870-08	12	1/2"	G 1/2	1/2 NPTF	36	36	22	0.187
4870-12	20	3/4"	G 3/4	3/4 NPTF	40.5	42	27	0.3
4870-16	25	1"	G 1	1 NPTF	50	46	33	0.442

4670

90° Male stud Elbow BSP-NPTF

SDE



Product number	Ø tube		Thread		Dimension			Weight kg/unit
	mm	inch	F	F1	L	L1	CH1	
4670-02	6	1/4"	G 1/8	1/8 NPTF	19.5	22	12	0.015
4670-04	8	5/16"	G 1/4	1/4 NPTF	27.5	27	14	0.042
4670-06	10	3/8"	G 3/8	3/8 NPTF	31	32	19	0.093
4670-08	12	1/2"	G 1/2	1/2 NPTF	36	36	22	0.142
4670-12	20	3/4"	G 3/4	3/4 NPTF	40.5	42	27	0.231
4670-16	25	1"	G 1	1 NPTF	50	46	33	0.372
4670-20	32	1.1/4"	G 1 1/4	1 1/4 NPTF	60.5	52	41	0.593

4680

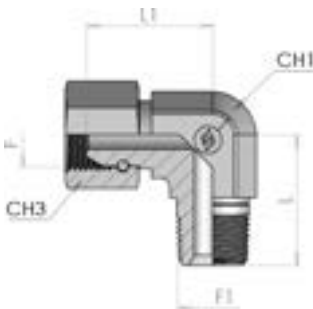


45° Male stud Elbow BSP-NPTF

SDE45

Product number	Ø tube		Thread		Dimension			Weight
	mm	inch	F	F1	L	L1	CH1	kg/unit
4680-02	6	1/4"	G 1/8	1/8 NPTF	18.5	20	12	0.015
4680-04	8	5/16"	G 1/4	1/4 NPTF	23	21.5	14	0.042
4680-06	10	3/8"	G 3/8	3/8 NPTF	26	26	19	0.093
4680-08	12	1/2"	G 1/2	1/2 NPTF	31	29	22	0.142
4680-12	20	3/4"	G 3/4	3/4 NPTF	33.5	33	27	0.231
4680-16	25	1"	G 1	1 NPTF	39	37.5	33	0.372

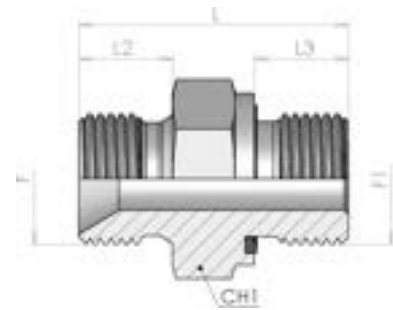
4650



Swivel 90° Elbow BSP-NPTF

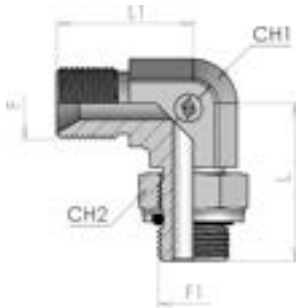
SWE

Product number	Ø tube		Thread		Dimension				Weight
	mm	inch	F	F1	L	L1	CH1	CH3	kg/unit
4650-02	6	1/4"	G 1/8	1/8 NPTF	19.5	20	12	14	0.017
4650-04	8	5/16"	G 1/4	1/4 NPTF	27.5	25	14	19	0.046
4650-06	10	3/8"	G 3/8	3/8 NPTF	31	30	19	22	0.09
4650-08	12	1/2"	G 1/2	1/2 NPTF	36	34	22	27	0.139
4650-12	20	3/4"	G 3/4	3/4 NPTF	40.5	40	27	32	0.232
4650-16	25	1"	G 1	1 NPTF	50	43	33	41	0.261
4650-20	32	1.1/4"	G 1 1/4	1 1/4 NPTF	60.5	49	41	50	0.484
4650-24	38	1.1/2"	G 1 1/2	1 1/2 NPTF	67	60	50	55	0.831

1700E**Male stud connector BSP-BSPP
(Form E ISO 1179-2)****SDS**

Product number	Ø tube		Thread		Dimension				Weight
	mm	inch	F	F1	L	L2	L3	CH1	kg/unit
1700E04-04	8	5/16"	G 1/4	G 1/4	32	11	12	19	0.035
1700E06-06	10	3/8"	G 3/8	G 3/8	34.5	12	12	22	0.053
1700E08-08	12	1/2"	G 1/2	G 1/2	41	14	14	27	0.083
1700E12-12	20	3/4"	G 3/4	G 3/4	47	16	16	32	0.141
1700E16-16	25	1"	G 1	G 1	54	19	18	41	0.243

3900



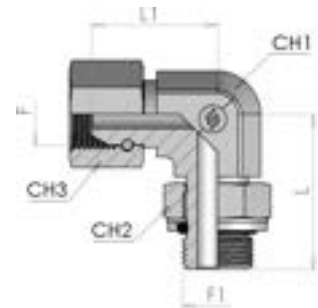
90° Adjustable stud elbow BSP-BSP (ISO 1179)

SDE

Product number	Ø tube		Thread		Dimension				Weight
	mm	inch	F	F1	L	L1	CH1	CH2	kg/unit
3900-02-02	6	1/4"	G 1/8	G 1/8	27	22	12	14	0.028
3900-04-02	8-6	5/16"-1/4"	G 1/8	G 1/4	33	24.5	14	19	0.045
3900-04-04	8	5/16"	G 1/4	G 1/4	33	27	14	19	0.05
3900-04-06	8-10	5/16"-3/8"	G 3/8	G 1/4	35	32	19	19	0.084
3900-06-02	10-6	3/8"-1/4"	G 1/8	G 3/8	37	27	19	22	0.087
3900-06-04	10-8	3/8"-5/16"	G 1/4	G 3/8	37	29.5	19	22	0.091
3900-06-06	10	3/8"	G 3/8	G 3/8	37	32	19	22	0.094
3900-06-08	10-12	3/8"-1/2"	G 1/2	G 3/8	40	36	22	22	0.14
3900-08-04	12-8	1/2"-5/16"	G 1/4	G 1/2	43	31.5	22	27	0.135
3900-08-06	12-10	1/2"-3/8"	G 3/8	G 1/2	43	34	22	27	0.142
3900-08-08	12	1/2"	G 1/2	G 1/2	43	36	22	27	0.147
3900-08-12	12-20	1/2"-3/4"	G 3/4	G 1/2	46.5	42	27	27	0.224
3900-12-06	20-10	3/4"-3/8"	G 3/8	G 3/4	50	37	27	36	0.231
3900-12-08	20-12	3/4"-1/2"	G 1/2	G 3/4	50	39	27	36	0.239
3900-12-12	20	3/4"	G 3/4	G 3/4	50	42	27	36	0.248
3900-12-16	20-25	3/4"-1"	G 1	G 3/4	50	44	33	36	0.31
3900-16-12	25-20	1"-3/4"	G 3/4	G 1	53	44	33	41	0.37
3900-16-16	25	1"	G 1	G 1	53	46	33	41	0.374
3900-16-20	25-32	1"-1.1/4"	G 1 1/4	G 1	55.5	52	41	41	0.469
3900-20-16	32-25	1.1/4"-1"	G 1	G 1 1/4	58	49	41	50	0.564
3900-20-20	32	1.1/4"	G 1 1/4	G 1 1/4	58	52	41	50	0.658
3900-24-24	38	1.1/2"	G 1 1/2	G 1 1/2	63	59	50	55	0.97

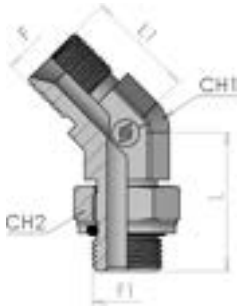
3255

**Adjustable 90° elbow Swivel female
BSP-BSP (ISO 1179)**

SWSDE

Product number	Ø tube		Thread		Dimension					Weight
	mm	inch	F	F1	L	L1	CH1	CH2	CH3	kg/unit
3255-02-02	6	1/4"	G 1/8	G 1/8	27	20	12	14	14	0.021
3255-04-04	8	5/16"	G 1/4	G 1/4	33	25	14	19	19	0.049
3255-06-06	10	3/8"	G 3/8	G 3/8	37	30	19	22	22	0.091
3255-08-08	12	1/2"	G 1/2	G 1/2	43	34	22	27	27	0.143
3255-12-12	20	3/4"	G 3/4	G 3/4	50	40	27	36	32	0.245
3255-16-16	25	1"	G 1	G 1	53	43	33	41	41	0.368
3255-20-20	32	1.1/4"	G 1 1/4	G 1 1/4	58	49	41	50	50	0.621
3255-24-24	38	1.1/2"	G 1 1/2	G 1 1/2	63	60	50	55	55	0.955

3950



45° Adjustable stud elbow BSP-BSP (ISO 1179)

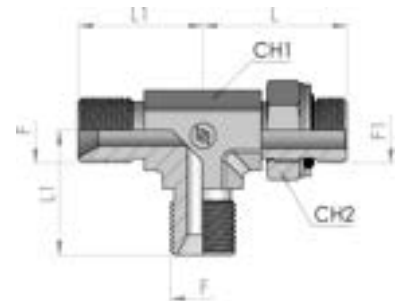
SDE45

Product number	Ø tube		Thread		Dimension				Weight
	mm	inch	F	F1	L	L1	CH1	CH2	kg/unit
3950-02-02	6	1/4"	G 1/8	G 1/8	27	20	12	14	0.028
3950-04-02	8-6	5/16"-1/4"	G 1/8	G 1/4	28.5	21.5	14	19	0.045
3950-04-04	8	5/16"	G 1/4	G 1/4	30	21.5	14	19	0.05
3950-06-04	10-8	3/8"-5/16"	G 1/4	G 3/8	31.5	26	19	22	0.091
3950-06-06	10	3/8"	G 3/8	G 3/8	33.5	26	19	22	0.094
3950-08-06	12-10	1/2"-3/8"	G 3/8	G 1/2	36	29	22	27	0.142
3950-08-08	12	1/2"	G 1/2	G 1/2	39	29	22	27	0.147
3950-12-08	20-12	3/4"-1/2"	G 1/2	G 3/4	41.5	44	27	36	0.239
3950-12-12	20	3/4"	G 3/4	G 3/4	44	33	27	36	0.248
3950-16-12	25-20	1"-3/4"	G 3/4	G 1	45.5	37.5	33	41	0.37
3950-16-16	25	1"	G 1	G 1	47	37.5	33	41	0.374
3950-20-16	32-25	1.1/4"-1"	G 1	G 1 1/4	49.5	38	41	50	0.564
3950-20-20	32	1.1/4"	G 1 1/4	G 1 1/4	52	38	41	50	0.658

3600

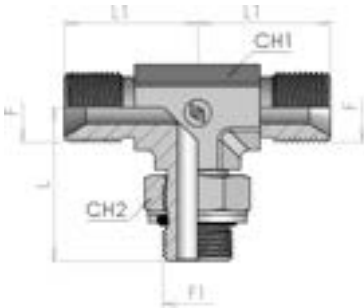
Adjustable stud Run Tee BSP-BSP (ISO 1179)

SDRT



Product number	Ø tube		Thread		Dimension				Weight kg/unit
	mm	inch	F	F1	L	L1	CH1	CH2	
3600-02-02	6	1/4"	G 1/8	G 1/8	27	22	12	14	0.0378
3600-04-02	8-6	5/16"-1/4"	G 1/8	G 1/4	33	24.5	14	19	0.0607
3600-04-04	8	5/16"	G 1/4	G 1/4	33	27	14	19	0.0675
3600-04-06	8-10	5/16"-3/8"	G 3/8	G 1/4	35	32	19	19	0.1134
3600-06-04	10-8	3/8"-5/16"	G 1/4	G 3/8	37	29.5	19	22	0.1229
3600-06-06	10	3/8"	G 3/8	G 3/8	37	32	19	22	0.1269
3600-06-08	10-12	3/8"-1/2"	G 1/2	G 3/8	40	36	22	22	0.189
3600-08-06	12-10	1/2"-3/8"	G 3/8	G 1/2	43	34	22	27	0.1917
3600-08-08	12	1/2"	G 1/2	G 1/2	43	36	22	27	0.1985
3600-08-12	12-20	1/2"-3/4"	G 3/4	G 1/2	46.5	42	27	27	0.3024
3600-12-08	20-12	3/4"-1/2"	G 1/2	G 3/4	50	39	27	36	0.3226
3600-12-12	20	3/4"	G 3/4	G 3/4	50	42	27	36	0.3348
3600-12-16	20-25	3/4"-1"	G 1	G 3/4	50	44	33	36	0.4185
3600-16-12	25-20	1"-3/4"	G 3/4	G 1	53	44	33	41	0.4995
3600-16-16	25	1"	G 1	G 1	53	46	33	41	0.5049
3600-16-20	25-32	1"-1 1/4"	G 1 1/4	G 1	55.5	52	41	41	0.6331
3600-20-20	32	1 1/4"	G 1 1/4	G 1 1/4	58	52	41	50	0.8883
3600-24-24	38	1 1/2"	G 1 1/2	G 1 1/2	63	59	50	55	1.3095

3605



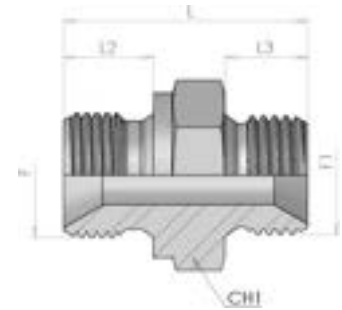
Adjustable stud Branch Tee BSP-BSP (ISO 1179)

SDBT

Product number	Ø tube		Thread		Dimension				Weight
	mm	inch	F	F1	L	L1	CH1	CH2	kg/unit
3605-02-02	6	1/4"	G 1/8	G 1/8	27	22	12	14	0.0378
3605-04-02	8-6	5/16"-1/4"	G 1/8	G 1/4	33	24.5	14	19	0.0607
3605-04-04	8	5/16"	G 1/4	G 1/4	33	27	14	19	0.0675
3605-04-06	8-10	5/16"-3/8"	G 3/8	G 1/4	35	32	19	19	0.1134
3605-06-04	10-8	3/8"-5/16"	G 1/4	G 3/8	37	29.5	19	22	0.1229
3605-06-06	10	3/8"	G 3/8	G 3/8	37	32	19	22	0.1269
3605-06-08	10-12	3/8"-1/2"	G 1/2	G 3/8	40	36	22	22	0.189
3605-08-06	12-10	1/2"-3/8"	G 3/8	G 1/2	43	34	22	27	0.1917
3605-08-08	12	1/2"	G 1/2	G 1/2	43	36	22	27	0.1985
3605-08-12	12-20	1/2"-3/4"	G 3/4	G 1/2	46.5	42	27	27	0.3024
3605-12-08	20-12	3/4"-1/2"	G 1/2	G 3/4	50	39	27	36	0.3226
3605-12-12	20	3/4"	G 3/4	G 3/4	50	42	27	36	0.3348
3605-12-16	20-25	3/4"-1"	G 1	G 3/4	50	44	33	36	0.4185
3605-16-12	25-20	1"-3/4"	G 3/4	G 1	53	44	33	41	0.4995
3605-16-16	25	1"	G 1	G 1	53	46	33	41	0.5049
3605-16-20	25-32	1"-1.1/4"	G 1.1/4	G 1	55.5	52	41	41	0.6331
3605-20-20	32	1.1/4"	G 1.1/4	G 1.1/4	58	52	41	50	0.8883
3605-24-24	38	1.1/2"	G 1.1/2	G 1.1/2	63	59	50	55	1.3095

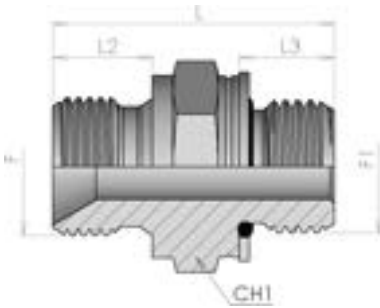
Male stud connector BSP-Metric

SDS



Product number	Ø tube		Thread		Dimension				Weight kg/unit
	mm	inch	F	F1	L	L2	L3	CH1	
1805-02-10	6	1/4"	G 1/8	M 10x1	22.5	8	8	14	0.013
1805-04-10	8	5/16"	G 1/4	M 10x1	27	11	8	19	0.031
1805-04-12	8	5/16"	G 1/4	M 12x1,5	31	11	10	19	0.033
1805-04-14	8	5/16"	G 1/4	M 14x1,5	31	11	12	19	0.03
1805-04-16	8	5/16"	G 1/4	M 16x1,5	31	11	11	22	0.039
1805-04-18	8	5/16"	G 1/4	M 18x1,5	34	11	12	24	0.049
1805-04-22	8	5/16"	G 1/4	M 22x1,5	36	11	14	27	0.061
1805-06-12	10	3/8"	G 3/8	M 12x1,5	33.5	12	12	22	0.043
1805-06-14	10	3/8"	G 3/8	M 14x1,5	31.5	12	10	22	0.044
1805-06-16	10	3/8"	G 3/8	M 16x1,5	32.5	12	11	22	0.046
1805-06-18	10	3/8"	G 3/8	M 18x1,5	34.5	12	11	24	0.055
1805-06-20	10	3/8"	G 3/8	M 20x1,5	36.5	12	14	27	0.061
1805-06-22	10	3/8"	G 3/8	M 22x1,5	36.5	12	12	27	0.068
1805-08-14	12	1/2"	G 1/2	M 14x1,5	37	14	12	27	0.058
1805-08-16	12	1/2"	G 1/2	M 16x1,5	37	14	12	27	0.06
1805-08-18	12	1/2"	G 1/2	M 18x1,5	37	14	12	27	0.066
1805-08-20	12	1/2"	G 1/2	M 20x1,5	39	14	14	27	0.069
1805-08-22	12	1/2"	G 1/2	M 22x1,5	39	14	14	27	0.07
1805-12-18	20	3/4"	G 3/4	M 18x1,5	39	16	11	32	0.111
1805-12-20	20	3/4"	G 3/4	M 20x1,5	41	16	14	32	0.115
1805-12-22	20	3/4"	G 3/4	M 22x1,5	41	16	12	32	0.119
1805-12-26	20	3/4"	G 3/4	M 26x1,5	43	16	12	32	0.124
1805-12-30	20	3/4"	G 3/4	M 30x1,5	44	16	14	36	0.166
1805-16-22	25	1"	G 1	M 22x1,5	42	19	12	41	0.165
1805-16-26	25	1"	G 1	M 26x1,5	46	19	16	41	0.204
1805-16-38	25	1"	G 1	M 38 x1,5	46	19	14	46	0.243

3510



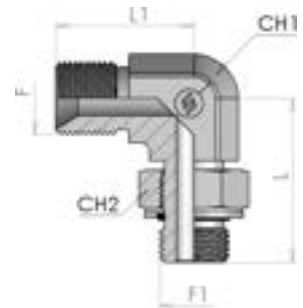
Male stud connector BSP-Metric with O'ring and retaining ring

SDS

Product number	Ø tube		Thread		Dimension				Weight
	mm	inch	F	F1	L	L2	L3	CH1	kg/unit
3510-10-02	6	1/4"	G 1/8	M 10x1	24	8	8.5	14	0.018
3510-12-02	6	1/4"	G 1/8	M 12x1,5	27	8	11	17	0.026
3510-14-04	8	5/16"	G 1/4	M 14x1,5	31.5	11	11	19	0.037
3510-16-04	8	5/16"	G 1/4	M 16x1,5	33	11	11.5	22	0.044
3510-16-06	10	3/8"	G 3/8	M 16x1,5	34	12	11.5	22	0.051
3510-18-06	10	3/8"	G 3/8	M 18x1,5	36	12	12.5	24	0.06
3510-18-08	12	1/2"	G 1/2	M 18x1,5	38	14	12.5	24	0.078
3510-22-08	12	1/2"	G 1/2	M 22x1,5	39.5	14	13	27	0.104
3510-22-12	20	3/4"	G 3/4	M 22x1,5	42	16	13	30	0.125
3510-27-12	20	3/4"	G 3/4	M 27x2	44.5	16	16	36	0.159
3510-27-16	25	1"	G 1	M 27x2	47.5	19	16	36	0.204
3510-33-16	25	1"	G 1	M 33x2	52	19	16	41	0.269
3510-42-20	32	1.1/4"	G 1 1/4	M 42x2	55	20	16	50	0.427
3510-48-24	38	1.1/2"	G 1 1/2	M 48x2	59.5	22	17.5	55	0.534

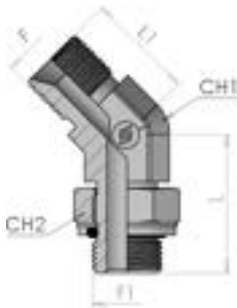
3910

90° Adjustable stud elbow BSP-Metric with O'ring and retaining ring

SWSDE

Product number	Ø tube		Thread		Dimension				Weight kg/unit
	mm	inch	F	F1	L	L1	CH1	CH2	
3910-10-02	6	1/4"	G 1/8	M 10x1	29	22	12	14	0.029
3910-12-02	6	1/4"	G 1/8	M 12x1,5	31	22	12	17	0.045
3910-14-04	8	5/16"	G 1/4	M 14x1,5	34	27	14	19	0.049
3910-16-04	8	5/16"	G 1/4	M 16x1,5	38	29,5	14	22	0.055
3910-16-06	10	3/8"	G 3/8	M 16x1,5	38	32	19	22	0.094
3910-18-06	10	3/8"	G 3/8	M 18x1,5	41	34	19	24	0.135
3910-18-08	12	1/2"	G 1/2	M 18x1,5	41	36	22	24	0.141
3910-22-08	12	1/2"	G 1/2	M 22x1,5	43	36	22	27	0.147
3910-22-12	20	3/4"	G 3/4	M 22x1,5	47,5	42	27	27	0.185
3910-27-12	20	3/4"	G 3/4	M 27x2	52	42	27	32	0.249
3910-27-16	25	1"	G 1	M 27x2	53	46	33	32	0.35
3910-33-16	25	1"	G 1	M 33x2	54	46	33	41	0.367
3910-42-20	32	1.1/4"	G 1 1/4	M 42x2	60	52	41	50	0.645
3910-48-24	38	1.1/2"	G 1 1/2	M 48x2	67	59	50	55	1.012

3410



45° Adjustable stud elbow BSP-Metric with O'ring and retaining ring

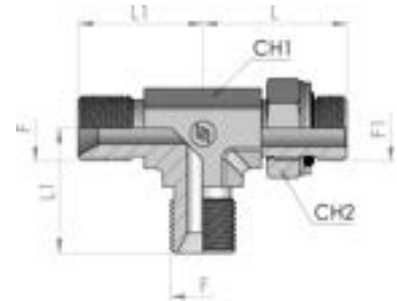
SDE45

Product number	Ø tube		Thread		Dimension				Weight
	mm	inch	F	F1	L	L1	CH1	CH2	kg/unit
3410-10-02	6	1/4"	G 1/8	M 10x1	27	20	12	14	0.029
3410-12-02	6	1/4"	G 1/8	M 12x1,5	28.5	20	12	17	0.045
3410-14-04	8	5/16"	G 1/4	M 14x1,5	32	21.5	14	19	0.049
3410-16-04	8	5/16"	G 1/4	M 16x1,5	33	21.5	14	22	0.055
3410-16-06	10	3/8"	G 3/8	M 16x1,5	34	26	19	22	0.094
3410-18-06	10	3/8"	G 3/8	M 18x1,5	35	26	19	24	0.135
3410-18-08	12	1/2"	G 1/2	M 18x1,5	36	29	22	24	0.141
3410-22-08	12	1/2"	G 1/2	M 22x1,5	38	29	22	27	0.147
3410-22-12	20	3/4"	G 3/4	M 22x1,5	41.5	33	27	27	0.185
3410-27-12	20	3/4"	G 3/4	M 27x2	45	33	27	32	0.249
3410-27-16	25	1"	G 1	M 27x2	46.5	37.5	33	32	0.35
3410-33-16	25	1"	G 1	M 33x2	48	37.5	33	41	0.367
3410-42-20	32	1.1/4"	G 1 1/4	M 42x2	53.5	38	41	50	0.645
3410-48-24	38	1.1/2"	G 1 1/2	M 48x2	58	43	50	55	1.012

3610

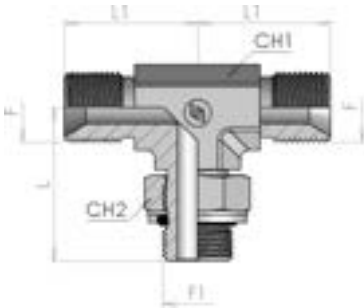
Adjustable stud Run Tee BSP-Metric with O'ring and retaining ring

SDRT



Product number	Ø tube		Thread		Dimension				Weight kg/unit
	mm	inch	F	F1	L	L1	CH1	CH2	
3610-10-02	6	1/4"	G 1/8	M 10x1	29	22	12	14	0.0387
3610-12-02	6	1/4"	G 1/8	M 12x1,5	31	22	12	17	0.06
3610-14-04	8	5/16"	G 1/4	M 14x1,5	34	27	14	19	0.0653
3610-16-04	8	5/16"	G 1/4	M 16x1,5	38	29,5	14	22	0.0733
3610-16-06	10	3/8"	G 3/8	M 16x1,5	38	32	19	22	0.1253
3610-18-06	10	3/8"	G 3/8	M 18x1,5	41	34	19	24	0.18
3610-18-08	12	1/2"	G 1/2	M 18x1,5	41	36	22	24	0.188
3610-22-08	12	1/2"	G 1/2	M 22x1,5	43	36	22	27	0.196
3610-22-12	20	3/4"	G 3/4	M 22x1,5	47,5	42	27	27	0.2467
3610-27-12	20	3/4"	G 3/4	M 27x2	52	42	27	32	0.332
3610-27-16	25	1"	G 1	M 27x2	53	46	33	32	0.4667
3610-33-16	25	1"	G 1	M 33x2	54	46	33	41	0.4893
3610-42-20	32	1.1/4"	G 1 1/4	M 42x2	60	52	41	50	0.86
3610-48-24	38	1.1/2"	G 1 1/2	M 48x2	67	59	50	55	1.3493

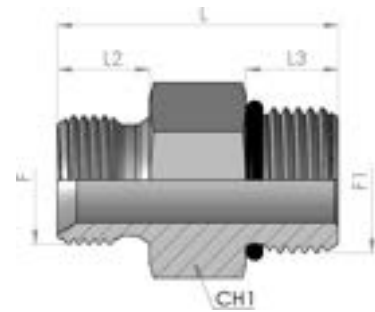
3615



Adjustable stud Branch Tee BSP-Metric with O'ring and retaining ring

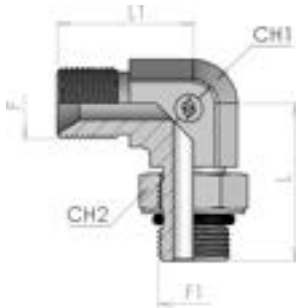
SDBT

Product number	Ø tube		Thread		Dimension				Weight kg/unit
	mm	inch	F	F1	L	L1	CH1	CH2	
3615-10-02	6	1/4"	G 1/8	M 10x1	29	22	12	14	0.0387
3615-12-02	6	1/4"	G 1/8	M 12x1,5	31	22	12	17	0.06
3615-14-04	8	5/16"	G 1/4	M 14x1,5	34	27	14	19	0.0653
3615-16-04	8	5/16"	G 1/4	M 16x1,5	38	29,5	14	22	0.0733
3615-16-06	10	3/8"	G 3/8	M 16x1,5	38	32	19	22	0.1253
3615-18-06	10	3/8"	G 3/8	M 18x1,5	41	34	19	24	0.18
3615-18-08	12	1/2"	G 1/2	M 18x1,5	41	36	22	24	0.188
3615-22-08	12	1/2"	G 1/2	M 22x1,5	43	36	22	27	0.196
3615-22-12	20	3/4"	G 3/4	M 22x1,5	47,5	42	27	27	0.2467
3615-27-12	20	3/4"	G 3/4	M 27x2	52	42	27	32	0.332
3615-27-16	25	1"	G 1	M 27x2	53	46	33	32	0.4667
3615-33-16	25	1"	G 1	M 33x2	54	46	33	41	0.4893
3615-42-20	32	1.1/4"	G 1 1/4	M 42x2	60	52	41	50	0.86
3615-48-24	38	1.1/2"	G 1 1/2	M 48x2	67	59	50	55	1.3493

3520**Male stud connector BSP-UNF (ISO 11926)****SDS**

Product number	Ø tube		Thread		Dimension				Weight kg/unit
	mm	inch	F	F1	L	L2	L3	CH1	
3520-04-02	6	1/4"	G 1/8	7/16-20 UNF	26	8	9	14	0.021
3520-05-02	8-6	5/16"-1/4"	G 1/8	1/2-20 UNF	26	8	9	17	0.025
3520-06-04	10-8	3/8"-5/16"	G 1/4	9/16-18 UNF	30	11	10	17	0.029
3520-08-04	12-8	1/2"-5/16"	G 1/4	3/4-16 UNF	31.5	11	11	22	0.051
3520-08-06	12-10	1/2"-3/8"	G 3/8	3/4-16 UNF	33	12	11	22	0.053
3520-08-08	12	1/2"	G 1/2	3/4-16 UNF	36.5	14	11	22	0.063
3520-10-06	16-10	5/8"-3/8"	G 3/8	7/8-14 UNF	35.5	12	12.5	27	0.079
3520-10-08	16-12	5/8"-1/2"	G 1/2	7/8-14 UNF	38	14	12.5	27	0.101
3520-10-12	16-20	5/8"-3/4"	G 3/4	7/8-14 UNF	41	16	12.5	32	0.122
3520-12-08	20-12	3/4"-1/2"	G 1/2	1 1/16-12 UN	41.5	16	15	32	0.131
3520-12-12	20	3/4"	G 3/4	1 1/16-12 UN	43.5	16	15	32	0.135
3520-12-16	20-25	3/4"-1"	G 1	1 1/16-12 UN	47.5	19	15	36	0.178
3520-16-12	25-20	1"-3/4"	G 3/4	1 5/16-12 UN	44.5	16	15	41	0.191
3520-16-16	25	1"	G 1	1 5/16-12 UN	47.5	19	15	41	0.204
3520-20-20	32	1 1/4"	G 1 1/4	1 5/8 UN	50.5	20	15	50	0.359
3520-24-24	38	1 1/2"	G 1 1/2	1 7/8-12 UN	54.5	22	15	55	0.464

3920



90° Adjustable stud elbow BSP-UNF (ISO 11926)

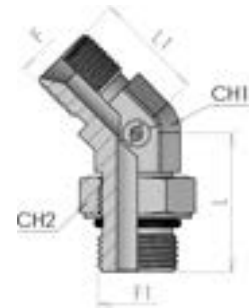
SDE

Product number	Ø tube		Thread		Dimension				Weight
	mm	inch	F	F1	L	L1	CH1	CH2	kg/unit
3920-04-02	6	1/4"	G 1/8	7/16-20 UNF	27	22	12	17	0.031
3920-05-02	8-6	5/16"-1/4"	G 1/8	1/2-20 UNF	30	25	14	17	0.041
3920-06-04	10-8	3/8"-5/16"	G 1/4	9/16-18 UNF	33	27	14	19	0.053
3920-08-04	12-8	1/2"-5/16"	G 1/4	3/4-16 UNF	37	29.5	19	24	0.075
3920-08-06	12-10	1/2"-3/8"	G 3/8	3/4-16 UNF	37	32	19	24	0.105
3920-08-08	12	1/2"	G 1/2	3/4-16 UNF	37	36	22	24	0.118
3920-10-06	16-10	5/8"-3/8"	G 3/8	7/8-14 UNF	43	34	22	27	0.135
3920-10-08	16-12	5/8"-1/2"	G 1/2	7/8-14 UNF	43	36	22	27	0.159
3920-10-12	16-20	5/8"-3/4"	G 3/4	7/8-14 UNF	43	42	27	27	0.178
3920-12-08	20-12	3/4"-1/2"	G 1/2	1 1/16-12 UN	50	39	27	36	0.211
3920-12-12	20	3/4"	G 3/4	1 1/16-12 UN	50	42	27	36	0.258
3920-16-12	25-20	1"-3/4"	G 3/4	1 5/16-12 UN	53	44	33	41	0.298
3920-16-16	25	1"	G 1	1 5/16-12 UN	53	46	33	41	0.367
3920-20-20	32	1.1/4"	G 1 1/4	1 5/8 UN	58	52	41	50	0.615
3920-24-24	38	1.1/2"	G 1 1/2	1 7/8-12 UN	63	59	50	55	0.994

3420

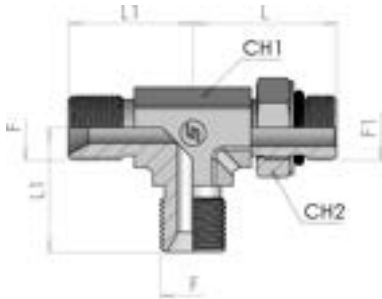
45° Adjustable stud elbow BSP-UNF (ISO 11926)

SDE45



Product number	Ø tube		Thread		Dimension				Weight kg/unit
	mm	inch	F	F1	L	L1	CH1	CH2	
3420-04-02	6	1/4"	G 1/8	7/16-20 UNF	27	20	12	17	0.031
3420-05-02	8-6	5/16"-1/4"	G 1/8	1/2-20 UNF	28	21	14	17	0.041
3420-06-04	10-8	3/8"-5/16"	G 1/4	9/16-18 UNF	30	21.5	14	19	0.053
3420-08-04	12-8	1/2"-5/16"	G 1/4	3/4-16 UNF	33.5	23.5	19	24	0.075
3420-08-06	12-10	1/2"-3/8"	G 3/8	3/4-16 UNF	33.5	26	19	24	0.105
3420-08-08	12	1/2"	G 1/2	3/4-16 UNF	36	29	22	24	0.118
3420-10-06	16-10	5/8"-3/8"	G 3/8	7/8-14 UNF	39	27.5	22	27	0.135
3420-10-08	16-12	5/8"-1/2"	G 1/2	7/8-14 UNF	39	29	22	27	0.159
3420-10-12	16-20	5/8"-3/4"	G 3/4	7/8-14 UNF	41.5	33	27	27	0.178
3420-12-08	20-12	3/4"-1/2"	G 1/2	1 1/16-12 UN	44	31	27	36	0.211
3420-12-12	20	3/4"	G 3/4	1 1/16-12 UN	44	33	27	36	0.258
3420-16-12	25-20	1"-3/4"	G 3/4	1 5/16-12 UN	47	34	33	41	0.298
3420-16-16	25	1"	G 1	1 5/16-12 UN	47	35	33	41	0.367
3420-20-20	32	1.1/4"	G 1 1/4	1 5/8 UN	52	38	41	50	0.615
3420-24-24	38	1.1/2"	G 1 1/2	1 7/8-12 UN	55	41	50	55	0.994

3620



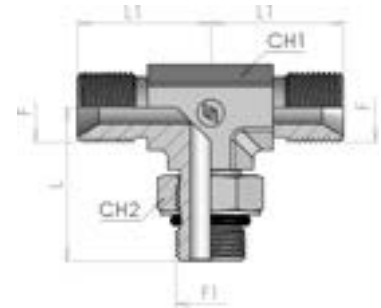
Adjustable stud Run Tee BSP-UNF (ISO 11926)

SDRT

Product number	Ø tube		Thread		Dimension				Weight kg/unit
	mm	inch	F	F1	L	L1	CH1	CH2	
3620-04-02	6	1/4"	G 1/8	7/16-20 UNF	27	22	12	17	0.0413
3620-05-02	8-6	5/16"-1/4"	G 1/8	1/2-20 UNF	30	25	14	17	0.0547
3620-06-04	10-8	3/8"-5/16"	G 1/4	9/16-18 UNF	33	27	14	19	0.0707
3620-08-04	12-8	1/2"-5/16"	G 1/4	3/4-16 UNF	37	29.5	19	24	0.1
3620-08-06	12-10	1/2"-3/8"	G 3/8	3/4-16 UNF	37	32	19	24	0.14
3620-08-08	12	1/2"	G 1/2	3/4-16 UNF	37	36	22	24	0.1573
3620-10-06	16-10	5/8"-3/8"	G 3/8	7/8-14 UNF	43	34	22	27	0.18
3620-10-08	16-12	5/8"-1/2"	G 1/2	7/8-14 UNF	43	36	22	27	0.212
3620-10-12	16-20	5/8"-3/4"	G 3/4	7/8-14 UNF	43	42	27	27	0.2373
3620-12-08	20-12	3/4"-1/2"	G 1/2	1 1/16-12 UN	50	39	27	36	0.2813
3620-12-12	20	3/4"	G 3/4	1 1/16-12 UN	50	42	27	36	0.344
3620-16-12	25-20	1"-3/4"	G 3/4	1 5/16-12 UN	53	44	33	41	0.3973
3620-16-16	25	1"	G 1	1 5/16-12 UN	53	46	33	41	0.4893
3620-20-20	32	1 1/4"	G 1 1/4	1 5/8 UN	58	52	41	50	0.82
3620-24-24	38	1 1/2"	G 1 1/2	1 7/8-12 UN	63	59	50	55	1.3253

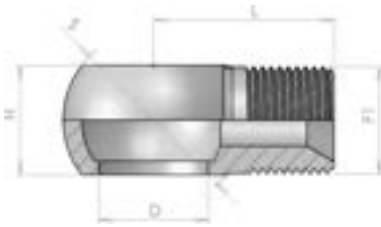
3625

Adjustable stud Branch Tee BSP-UNF (ISO 11926)

SDRT

Product number	Ø tube		Thread		Dimension				Weight kg/unit
	mm	inch	F	F1	L	L1	CH1	CH2	
3625-04-02	6	1/4"	G 1/8	7/16-20 UNF	27	22	12	17	0.0413
3625-05-02	8-6	5/16"-1/4"	G 1/8	1/2-20 UNF	30	25	14	17	0.0547
3625-06-04	10-8	3/8"-5/16"	G 1/4	9/16-18 UNF	33	27	14	19	0.0707
3625-08-04	12-8	1/2"-5/16"	G 1/4	3/4-16 UNF	37	29.5	19	24	0.1
3625-08-06	12-10	1/2"-3/8"	G 3/8	3/4-16 UNF	37	32	19	24	0.14
3625-08-08	12	1/2"	G 1/2	3/4-16 UNF	37	36	22	24	0.1573
3625-10-06	16-10	5/8"-3/8"	G 3/8	7/8-14 UNF	43	34	22	27	0.18
3625-10-08	16-12	5/8"-1/2"	G 1/2	7/8-14 UNF	43	36	22	27	0.212
3625-10-12	16-20	5/8"-3/4"	G 3/4	7/8-14 UNF	43	42	27	27	0.2373
3625-12-08	20-12	3/4"-1/2"	G 1/2	1 1/16-12 UN	50	39	27	36	0.2813
3625-12-12	20	3/4"	G 3/4	1 1/16-12 UN	50	42	27	36	0.344
3625-16-12	25-20	1"-3/4"	G 3/4	1 5/16-12 UN	53	44	33	41	0.3973
3625-16-16	25	1"	G 1	1 5/16-12 UN	53	46	33	41	0.4893
3625-20-20	32	1.1/4"	G 1 1/4	1 5/8 UN	58	52	41	50	0.82
3625-24-24	38	1.1/2"	G 1 1/2	1 7/8-12 UN	63	59	50	55	1.3253

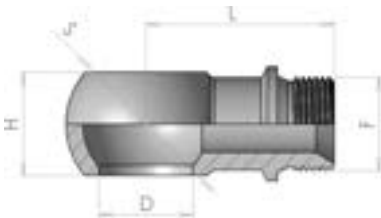
1550



BSP threaded Banjo Eye

Product number	Thread	Dimension				Weight
	F1	S	H	D	L	kg/unit
1550-04-04	G 1/4	24	14.5	G 1/4	22	0.03
1550-06-06	G 3/8	28	17	G 3/8	28	0.045
1550-08-06	G 3/8	36	22	G 1/2	32.5	0.086
1550-08-08	G 1/2	36	22	G 1/2	32	0.092
1550-12-12	G 3/4	45	29	G 3/4	40	0.166
1550-16-16	G 1	58	35	G 1	46	0.366

1560

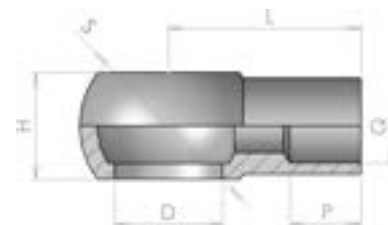


BSP threaded Banjo Eye with guide

Product number	Thread	Dimension				Weight
	F	S	H	D	L	kg/unit
1560-04-04	G 1/4	24	14.5	13.5	32	0.039
1560-06-06	G 3/8	28	17	17	38	0.058
1560-08-08	G 1/2	36	22	21	55	0.12
1560-12-12	G 3/4	45	29	26.5	53	0.216

1450

Weldable BSP Banjo Eye

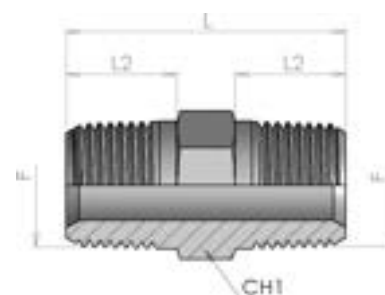


Product number	Dimension					Weight
	S	H	Q	D	L	kg/unit
1450-04-08	24	14	8	G 1/4	24	0.034
1450-04-10	24	14	10	G 1/4	24	0.03
1450-06-12	28	17	12	G 3/8	28	0.039
1450-08-15	36	22	15	G 1/2	32	0.075
1450-08-16	36	22	16	G 1/2	32	0.073
1450-12-22	45	29	22	G 3/4	40	0.105
1450-16-27	58	35	27	G 1	45	0.17

1860

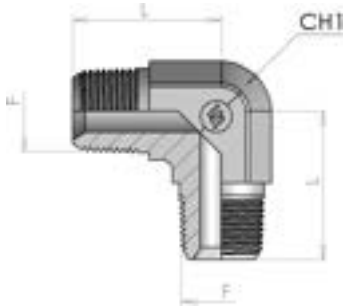
Male stud connector BSPT

S



Product number	Ø tube		Thread	Dimension			Weight
	mm	inch	F	L	L2	CH1	kg/unit
1860-02-02	6	1/4"	R 1/8 K	24.5	9	12	0.014
1860-04-04	8	5/16"	R 1/4 K	35	14	15	0.034
1860-06-06	10	3/8"	R 3/8 K	37.5	14	19	0.049
1860-08-08	12	1/2"	R 1/2 K	46	18	22	0.082
1860-12-12	20	3/4"	R 3/4 K	53	19	27	0.136
1860-16-16	25	1"	R 1 K	60	24	36	0.224
1860-20-20	32	1.1/4"	R 1 1/4 K	68	24.5	46	0.361
1860-24-24	38	1.1/2"	R 1 1/2 K	71	25.5	50	0.448
1860-32-32	50	2"	R 2 K	82	30	65	0.816

4626

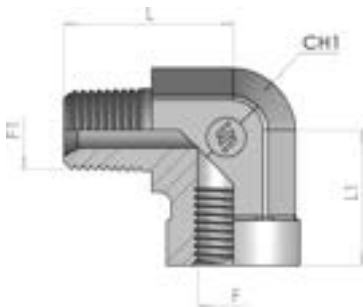


90° Male stud Elbow BSPT

E

Product number	Ø tube		Thread	Dimension			Weight
	mm	inch	F	L	CH1	kg/unit	
4626-02	6	1/4"	R 1/8 K	19.5	12	0.015	
4626-04	8	5/16"	R 1/4 K	27.5	14	0.042	
4626-06	10	3/8"	R 3/8 K	31	19	0.093	
4626-08	12	1/2"	R 1/2 K	36	22	0.142	
4626-12	20	3/4"	R 3/4 K	40.5	27	0.231	

4625



90° Male BSPT/Female BSP Elbow

E

Product number	Ø tube		Thread		Dimension			Weight
	mm	inch	F	F1	L	L1	CH1	kg/unit
4625-02	6	1/4"	G 1/8	R 1/8 K	23.5	17	14	0.048
4625-04	8	5/16"	G 1/4	R 1/4 K	29	22.5	19	0.0648
4625-06	10	3/8"	G 3/8	R 3/8 K	33.5	26	22	0.008
4625-08	12	1/2"	G 1/2	R 1/2 K	38	31	27	0.1472
4625-12	20	3/4"	G 3/4	R 3/4 K	45	34.5	33	0.2104
4625-16	25	1"	G 1	R 1 K	55	41	41	0.4016

Adattatori ORFS - B





6010



ORFS nut (ISO 8434-3)

66



6015



Metric sleeve (ISO 8434-3)

67



6000



Male union (ISO 8434-3)

68

6300



90° Union Elbow (ISO 8434-3)

69

6350



ORFS Union Tee (ISO 8434-3)

69

6550



ORFS Union Cross (ISO 8434-3)

70



6120



ORFS Swivel female - Male UN/UNF (ISO 11926)

70



6036



ORFS Swivel female - Male BSPP (Form E ISO 1179-2)

71

6805



Male stud connector ORFS-BSPP (Form E ISO 1179-2)

72

6215



90° Adjustable stud elbow ORFS-BSP (ISO 1179)

73

6260



45° Adjustable stud elbow ORFS-BSP (ISO 1179)

74

6460



Adjustable stud Run Tee ORFS-BSP (ISO 1179)

75

6410



Adjustable stud Branch Tee ORFS-BSP (ISO 1179)

76

6860



45° Adjustable stud elbow ORFS-METRIC (ISO 6149)

77

6890



Adjustable stud Branch Tee ORFS-METRIC (ISO 6149)

77



6850



ORFS Swivel female - Male Metric (ISO 6149)

78

6060



ORFS Straight swivel nut union (ISO 8434-3)

78

6056



ORFS Reducing male-female (ISO 8434-3)

79

6205



90° Swivel Elbow (ISO 8434-3)

80

6255



45° Swivel Elbow (ISO 8434-3)

80

6620



Swivel Run Tee (ISO 8434-3)

81



6630



Swivel Branch Tee (ISO 8434-3)

81

6050



Bulkhead union (ISO 8434-3)

82

6510



90° Bulkhead union (ISO 8434-3)

82

0107



Bulkhead locknut

83



6150



Bulkhead unions ORFS/
UNF (ISO 11926)

83

6100



Male stud connector
ORFS-UNF (ISO 11926)

84

6200



Adjustable stud elbow
ORFS-UNF (ISO 11926)

85

6250



Adjustable stud elbow
ORFS-UNF (ISO 11926)

86

6400



Adjustable stud Branch
Tee ORFS-UNF (ISO
11926)

86

6450



Adjustable stud Run Tee
ORFS-UNF (ISO 11926)

87



6800



Male stud connector
ORFS-BSPP (ISO 1179)

88



6840



Male stud connector
ORFS-METRIC (ISO 6149)

89

6905



Male stud connector
ORFS-METRIC (Form E
ISO 9974-2)

90

6900



Male stud connector
ORFS-METRIC with O-
ring and retaining ring

91

6320



90° Adjustable stud
elbow ORFS-METRIC
with O-ring and retaining

92

6270



45° Adjustable stud
elbow ORFS-METRIC
with O-ring and retaining

93

6420



Adjustable stud Branch
Tee ORFS-METRIC with
O-ring and retaining ring

94



6870



90° Adjustable stud elbow ORFS-METRIC (ISO 6149)

95



6880



Adjustable stud Run Tee ORFS-METRIC (ISO 6149)

96



6470



Adjustable stud Run Tee ORFS-METRIC with O-ring and retaining ring

96

6830



Male stud connector ORFS-NPTF

97



6230



90° Male stud elbows ORFS-NPTF

98



6600



ORFS Male plug (ISO 8434-3)

98

6610



ORFS Female plug (ISO 8434-3)

99

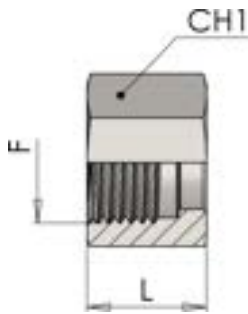
MO



ORFS braze-on straight connector (ISO 8434-3)

100

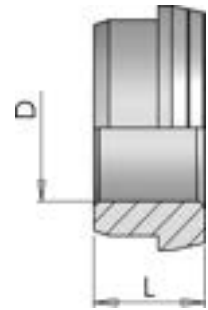
6010



ORFS nut (ISO 8434-3)

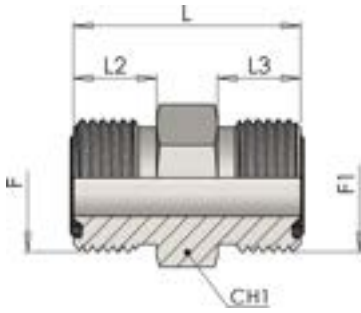
NA

Product number	Ø tube		Thread	Dimension			Weight
	mm	inch	F	L	CH1	kg/unit	
6010-06	6	1/4"	9/16-18	15	17	0,014	
6010-09	8-10	5/16"-3/8"	11/16-16	17	22	0,017	
6010-11	12	1/2"	13/16-16	20	24	0,029	
6010-13	14-16	5/8"	1-14	24	30	0,046	
6010-14	18-20	3/4"	1.3/16-12	26.5	36	0,069	
6010-15	22-25	1"	1.7/16-12	27.5	41	0,109	
6010-21	28-32	1.1/4"	1.11/16-12	27.5	50	0,126	
6010-32	35-38	1.1/2"	2-12	27.5	60	0,195	

6015**Metric sleeve (ISO 8434-3)****SL**

Product number	Ø tube	Dimension		Weight
	mm	D	L	kg/unit
6015-06	06	06	8.5	0,004
6015-08	08	08	9.5	0,004
6015-10	10	10	9.5	0,005
6015-12	12	12	11.5	0,006
6015-14	14	14	11.5	0,01
6015-15	15	15	11.5	0,009
6015-16	16	16	11.5	0,008
6015-18	18	18	13	0,014
6015-20	20	20	13	0,015
6015-22	22	22	14.5	0,02
6015-25	25	25	14.5	0,023
6015-28	28	28	14	0,024
6015-30	30	30	14	0,025
6015-32	32	32	14	0,026
6015-35	35	35	13.5	0,036
6015-38	38	38	13.5	0,044

6000



Male union (ISO 8434-3)

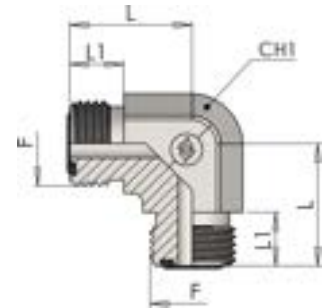
S

Product number	Ø tube		Thread		Dimension				Weight
	mm	inch	F	F1	L	L2	L3	CH1	kg/unit
6000-06	6	1/4"	9/16-18	9/16-18	27.5	10	10	17	0,028
6000-09	8-10	5/16"-3/8"	11/16-16	11/16-16	31	11	11	19	0,049
6000-11	12	1/2"	13/16-16	13/16-16	35.5	13	13	22	0,077
6000-11-09	8-12	5/16"-1/2"	13/16-16	11/16-16	33.5	13	11	22	0,067
6000-13	14-16	5/8"	1-14	1-14	42.5	15.5	15.5	27	0,129
6000-13-11	12-16	5/8"-1/2"	1-14	13/16-16	40	15.5	13	27	0,112
6000-14	18-20	3/4"	1.3/16-12	1.3/16-12	47	17	17	32	0,204
6000-14-13	14-20	5/8"-3/4"	1.3/16-12	1-14	45.5	17	15.5	32	0,186
6000-15	22-25	1"	1.7/16-12	1.7/16-12	49.5	17.5	17.5	41	0,291
6000-15-14	18-25	3/4"-1"	1.7/16-12	1.3/16-12	49	17.5	17	41	0,285
6000-21	28-32	1.1/4"	1.11/16-12	1.11/16-12	51.5	17.5	17.5	46	0,299
6000-21-15	25-32	1.1/4"	1.11/16-12	1.7/16-12	51.5	17.5	17.5	46	0,28
6000-32	35-38	1.1/2"	2-12	2-12	53	17.5	17.5	55	0,552

6300

90° Union Elbow (ISO 8434-3)

E

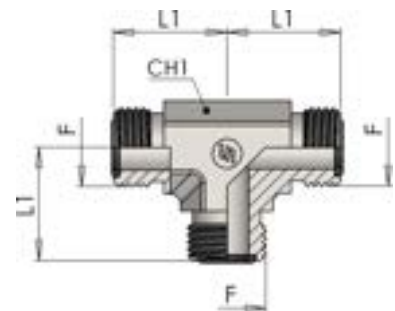


Product number	Ø tube		Thread	Dimension			Weight
	mm	inch	F	L	L1	CH1	kg/unit
6300-06	6	1/4"	9/16-18	21	10	14	0,047
6300-09	8-10	5/16"-3/8"	11/16-16	25	11	19	0,109
6300-11	12	1/2"	13/16-16	28	13	19	0,123
6300-13	14-16	5/8"	1-14	33.5	15.5	27	0,183
6300-14	18-20	3/4"	1.3/16-12	37.5	17	27	0,18
6300-15	22-25	1"	1.7/16-12	41.5	17.5	36	0,45
6300-21	28-32	1.1/4"	1.11/16-12	44.5	17.5	41	0,53
6300-32	35-38	1.1/2"	2-12	49	17.5	50	0,7

6350

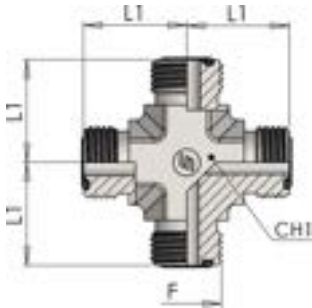
ORFS Union Tee (ISO 8434-3)

T



Product number	Ø tube		Thread	Dimension		Weight
	mm	inch	F	L1	CH1	kg/unit
6350-06	6	1/4"	9/16-18	21	14	0,066
6350-09	8-10	5/16"-3/8"	11/16-16	25	19	0,114
6350-11	12	1/2"	13/16-16	28	19	0,199
6350-13	14-16	5/8"	1-14	33.5	27	0,239
6350-14	18-20	3/4"	1.3/16-12	37.5	27	0,321
6350-15	22-25	1"	1.7/16-12	41.5	36	0,488
6350-21	28-32	1.1/4"	1.11/16-12	44.5	41	0,768
6350-32	35-38	1.1/2"	2-12	49	50	0,866

6550

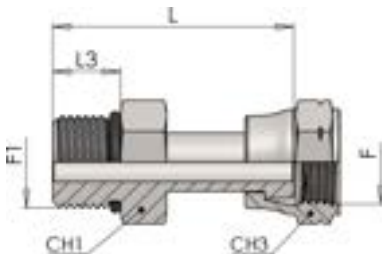


ORFS Union Cross (ISO 8434-3)

K

Product number	Ø tube		Thread	Dimension		Weight
	mm	inch	F	L1	CH1	kg/unit
6550-06	6	1/4"	9/16-18	21	14	0,072
6550-09	8-10	5/16"-3/8"	11/16-16	25	19	0,14
6550-11	12	1/2"	13/16-16	28	19	0,225
6550-13	14-16	5/8"	1-14	33.5	27	0,288
6550-14	18-20	3/4"	1.3/16-12	37.5	27	0,32

6120



ORFS Swivel female - Male UN/UNF (ISO 11926)

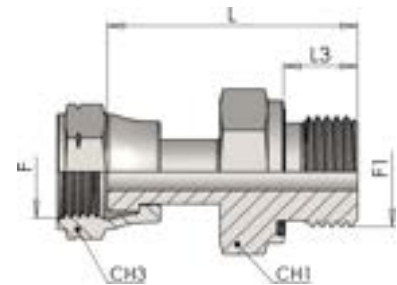
SDSWS

Product number	Ø tube		Thread		Dimension				Weight
	mm	inch	F	F1	L	L3	CH1	CH3	kg/unit
6120-04-06	6	1/4"	9/16-18	7/16-20	37	11	17	17	0,053
6120-06-09	8-10	5/16"-3/8"	11/16-16	9/16-18	40	12	19	22	0,066
6120-08-11	12	1/2"	13/16-16	3/4-16	50	14	22	24	0,11
6120-10-13	14-16	5/8"	1-14	7/8-14	54	16	27	30	0,173
6120-12-14	18-20	3/4"	1.3/16-12	1.1/16-12	59	18.5	32	36	0,275
6120-16-15	22-25	1"	1.7/16-12	1.5/16-12	68	18.5	41	41	0,462
6120-20-21	28-32	1.1/4"	1.11/16-12	1.5/8-12	68	18.5	46	50	0,622

6036

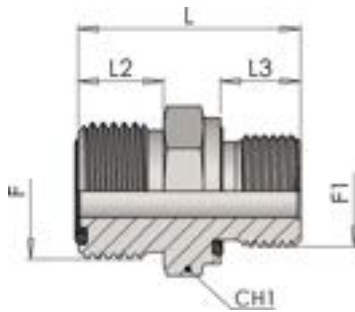
**ORFS Swivel female - Male BSPP
(Form E ISO 1179-2)**

SWS



Product number	Ø tube		Thread		Dimension				Weight kg/unit
	mm	inch	F	F1	L	L3	CH1	CH3	
6036-02-06	6	1/4"	9/16-18	G 1/8	34	8	14	17	0,043
6036-04-06	6	1/4"	9/16-18	G 1/4	38	12	19	17	0,059
6036-04-09	8-10	5/16"-3/8"	11/16-16	G 1/4	40	12	19	22	0,072
6036-04-11	12	1/2"	13/16-16	G 1/4	47	12	22	24	0,098
6036-06-09	8-10	5/16"-3/8"	11/16-16	G 3/8	40	12	22	22	0,086
6036-06-11	12	1/2"	13/16-16	G 3/8	47	12	22	24	0,104
6036-08-09	8-10	5/16"-3/8"	11/16-16	G 1/2	42	14	27	22	0,092
6036-08-11	12	1/2"	13/16-16	G 1/2	49	14	27	24	0,142
6036-08-13	14-16	5/8"	1-14	G 1/2	52	14	27	30	0,165
6036-12-13	14-16	5/8"	1-14	G 3/4	54	16	32	30	0,185
6036-12-14	18-20	3/4"	1.3/16-12	G 3/4	57	16	32	36	0,266
6036-16-15	22-25	1"	1.7/16-12	G 1	67	18	41	41	0,414
6036-20-21	28-32	1.1/4"	1.11/16-12	G 1 1/4	69	20	50	50	0,623
6036-24-32	35-38	1.1/2"	2-12	G 1 1/2	72	22	55	60	0,885

6805



Male stud connector ORFS-BSPP (Form E ISO 1179-2)

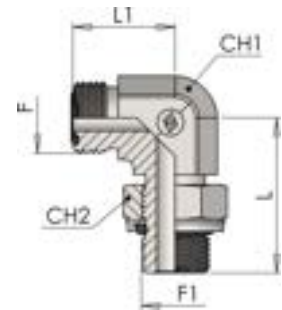
SDS

Product number	Ø tube		Thread		Dimension				Weight kg/unit
	mm	inch	F	F1	L	L2	L3	CH1	
6805-02-06	6	1/4"	9/16-18	G 1/8	25	10	8	17	0,029
6805-04-06	6	1/4"	9/16-18	G 1/4	30.5	10	12	19	0,042
6805-04-09	8-10	5/16"-3/8"	11/16-16	G 1/4	31.5	11	12	19	0,045
6805-04-11	12	1/2"	13/16-16	G 1/4	33	13	12	22	0,04
6805-06-06	6	1/4"	9/16-18	G 3/8	30.5	10	12	22	0,061
6805-06-09	8-10	5/16"-3/8"	11/16-16	G 3/8	31.5	11	12	22	0,063
6805-06-11	12	1/2"	13/16-16	G 3/8	33.5	13	12	22	0,06
6805-06-13	14-16	5/8"	1-14	G 3/8	37	15.5	12	27	0,093
6805-08-09	8-10	5/16"-3/8"	11/16-16	G 1/2	35	11	14	27	0,052
6805-08-11	12	1/2"	13/16-16	G 1/2	37	13	14	27	0,09
6805-08-13	14-16	5/8"	1-14	G 1/2	39.5	15.5	14	27	0,11
6805-08-14	18-20	3/4"	1.3/16-12	G 1/2	43	17	14	32	0,147
6805-12-11	12	1/2"	13/16-16	G 3/4	41	13	16	32	0,151
6805-12-13	14-16	5/8"	1-14	G 3/4	43.5	15.5	16	32	0,154
6805-12-14	18-20	3/4"	1.3/16-12	G 3/4	45	17	16	32	0,164
6805-12-15	22-25	1"	1.7/16-12	G 3/4	46	17.5	16	41	0,236
6805-16-13	14-16	5/8"	1-14	G 1	46	15.5	18	41	0,271
6805-16-14	18-20	3/4"	1.3/16-12	G 1	47.5	17	18	41	0,276
6805-16-15	22-25	1"	1.7/16-12	G 1	48	17.5	18	41	0,37
6805-16-21	28-32	1.1/4"	1.11/16-12	G 1	49.5	17.5	18	46	0,505
6805-20-15	22-25	1"	1.7/16-12	G 1.1/4	51.5	17.5	20	50	0,487
6805-20-21	28-32	1.1/4"	1.11/16-12	G 1.1/4	51.5	17.5	20	50	0,532
6805-24-32	35-38	1.1/2"	2-12	G 1.1/2	55.5	17.5	22	55	0,585

6215

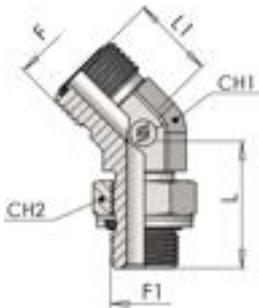
90° Adjustable stud elbow ORFS-BSP (ISO 1179)

SDE



Product number	Ø tube		Thread		Dimension				Weight kg/unit
	mm	inch	F	F1	L	L1	CH1	CH2	
6215-02-06	6	1/4"	9/16-18	G 1/8	30	21	14	14	0,049
6215-04-06	6	1/4"	9/16-18	G 1/4	37	23	19	19	0,093
6215-04-09	8-10	5/16"-3/8"	11/16-16	G 1/4	37	25	19	19	0,097
6215-04-11	12	1/2"	13/16-16	G 1/4	37	28	19	19	0,108
6215-06-06	6	1/4"	9/16-18	G 3/8	38	23	19	22	0,099
6215-06-09	8-10	5/16"-3/8"	11/16-16	G 3/8	38	25	19	22	0,106
6215-06-11	12	1/2"	13/16-16	G 3/8	38	28	19	22	0,108
6215-06-13	14-16	5/8"	1-14	G 3/8	43	33.5	27	22	0,235
6215-08-09	8-10	5/16"-3/8"	11/16-16	G 1/2	48	29.5	27	27	0,12
6215-08-11	12	1/2"	13/16-16	G 1/2	48	30.5	27	27	0,239
6215-08-13	14-16	5/8"	1-14	G 1/2	48	33.5	27	27	0,274
6215-08-14	18-20	3/4"	1.3/16-12	G 1/2	48	37.5	27	27	0,297
6215-12-11	12	1/2"	13/16-16	G 3/4	51.5	32	27	36	0,258
6215-12-13	14-16	5/8"	1-14	G 3/4	51.5	33.5	27	36	0,352
6215-12-14	18-20	3/4"	1.3/16-12	G 3/4	51.5	37.5	27	36	0,355
6215-12-15	22-25	1"	1.7/16-12	G 3/4	54.5	41.5	36	36	0,533
6215-16-14	18-20	3/4"	1.3/16-12	G 1	59	39.5	36	41	0,362
6215-16-15	22-25	1"	1.7/16-12	G 1	59	41.5	36	41	0,551
6215-16-21	28-32	1.1/4"	1.11/16-12	G 1	60.5	44.5	41	41	0,712
6215-20-15	22-25	1"	1.7/16-12	G 1.1/4	62	43	41	50	0,758
6215-20-21	28-32	1.1/4"	1.11/16-12	G 1.1/4	62	44.5	41	50	0,752
6215-24-21	28-32	1.1/4"	1.11/16-12	G 1.1/2	65	46.5	50	55	0,821
6215-24-32	35-38	1.1/2"	2-12	G 1.1/2	65	49	50	55	0,953

6260



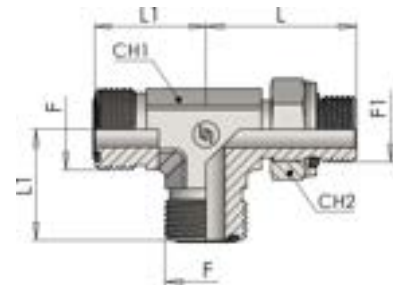
45° Adjustable stud elbow ORFS-BSP (ISO 1179)

SDE45

Product number	Ø tube		Dimension								Thread		Weight
	mm	inch	B	C	H	E	F	F1	L	L1	CH1	CH2	kg/unit
6260-02-06	6	1/4"	22	27	14	14	9/16-18	G 1/8	28	18	14	14	0,038
6260-04-06	6	1/4"	24	32	19	19	9/16-18	G 1/4	32.5	18.5	19	19	0,055
6260-04-09	8-10	5/16"-3/8"	25	32	19	19	11/16-16	G 1/4	32.5	19.5	19	19	0,085
6260-06-09	8-10	5/16"-3/8"	27	34	24	19	11/16-16	G 3/8	33.5	19.5	19	22	0,095
6260-06-11	12	1/2"	28	34	24	19	13/16-16	G 3/8	33.5	22	19	22	0,117
6260-08-09	8-10	5/16"-3/8"	30	42	27	27	11/16-16	G 1/2	42	22.5	27	27	0,107
6260-08-13	14-16	5/8"	34	42	27	27	1-14	G 1/2	42	26	27	27	0,191
6260-12-13	14-16	5/8"	36	47	36	30	1-14	G 3/4	46	26	27	36	0,205
6260-12-14	18-20	3/4"	38	47	36	30	1.3/16-12	G 3/4	46	27	27	36	0,245
6260-16-14	18-20	3/4"	41	51	41	37	1.3/16-12	G 1	51	29.5	36	41	0,325
6260-16-15	22-25	1"	45	51	41	37	1.7/16-12	G 1	51	30	36	41	0,394
6260-20-21	28-32	1.1/4"	45	52	50	41	1.11/16-12	G 1.1/4	52	32	41	50	0,43

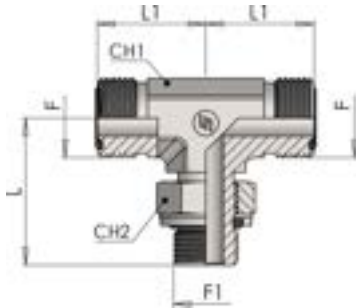
6460

Adjustable stud Run Tee ORFS-BSP (ISO 1179)

SDRT

Product number	Ø tube		Dimension								Thread		Weight kg/unit
	mm	inch	B	C	H	E	F	F1	L	L1	CH1	CH2	
6460-02-06	6	1/4"	22	30	14	14	9/16-18	G 1/8	30	21	14	14	0,069
6460-04-06	6	1/4"	24	36	19	19	9/16-18	G 1/4	37	23	19	19	0,097
6460-04-09	8-10	5/16"-3/8"	25	36	19	19	11/16-16	G 1/4	37	25	19	19	0,127
6460-06-06	6	1/4"	25	39	19	24	9/16-18	G 3/8	38	23	19	22	0,11
6460-06-09	8-10	5/16"-3/8"	27	39	19	24	11/16-16	G 3/8	38	25	19	22	0,126
6460-06-11	12	1/2"	28	39	19	24	13/16-16	G 3/8	38	28	19	22	0,146
6460-08-11	12	1/2"	31	49	27	27	13/16-16	G 1/2	48	30.5	27	27	0,174
6460-08-13	14-16	5/8"	34	49	27	27	1-14	G 1/2	48	33.5	27	27	0,288
6460-12-13	14-16	5/8"	36	52	30	36	1-14	G 3/4	51.5	33.5	27	36	0,31
6460-12-14	18-20	3/4"	38	52	30	36	1.3/16-12	G 3/4	51.5	37.5	27	36	0,49
6460-16-15	22-25	1"	42	59	37	41	1.7/16-12	G 1	59	41.5	36	41	0,55
6460-20-21	28-32	1.1/4"	45	61	41	50	1.11/16-12	G 1.1/4	62	44.5	41	50	0,825
6460-24-32	35-38	1.1/2"	49	65	48	60	2-12	G 1.1/2	65	49	50	55	0,95

6410



Adjustable stud Branch Tee ORFS-BSP (ISO 1179)

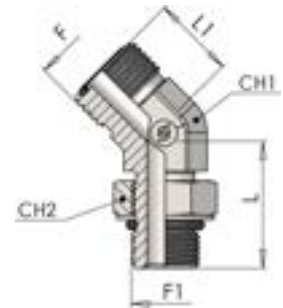
SDBT

Product number	Ø tube		Dimension								Thread		Weight
	mm	inch	B	C	H	E	F	F1	L	L1	CH1	CH2	kg/unit
6410-02-06	6	1/4"	22	30	14	14	9/16-18	G 1/8	30	21	14	14	0,069
6410-04-06	6	1/4"	24	36	19	19	9/16-18	G 1/4	37	23	19	19	0,097
6410-04-09	8-10	5/16"-3/8"	25	36	19	19	11/16-16	G 1/4	37	25	19	19	0,127
6410-06-06	6	1/4"	25	39	19	24	9/16-18	G 3/8	38	23	19	22	0,11
6410-06-09	8-10	5/16"-3/8"	27	39	19	24	11/16-16	G 3/8	38	25	19	22	0,126
6410-06-11	12	1/2"	28	39	19	24	13/16-16	G 3/8	38	28	19	22	0,146
6410-08-11	12	1/2"	31	49	27	27	13/16-16	G 1/2	48	30.5	27	27	0,174
6410-08-13	14-16	5/8"	34	49	27	27	1-14	G 1/2	48	33.5	27	27	0,288
6410-12-13	14-16	5/8"	36	52	30	36	1-14	G 3/4	51.5	33.5	27	36	0,31
6410-12-14	18-20	3/4"	38	52	30	36	1.3/16-12	G 3/4	51.5	37.5	27	36	0,49
6410-16-15	22-25	1"	42	59	37	41	1.7/16-12	G 1	59	41.5	36	41	0,55
6410-20-21	28-32	1.1/4"	45	61	41	50	1.11/16-12	G 1.1/4	62	44.5	41	50	0,825
6410-24-32	35-38	1.1/2"	49	65	48	60	2-12	G 1.1/2	65	49	50	55	0,95

6860

45° Adjustable stud elbow ORFS-METRIC (ISO 6149)

SDE45

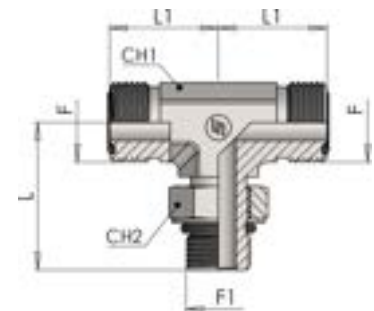


Product number	Ø tube		Thread		Dimension				Weight kg/unit
	mm	inch	F	F1	L	L1	CH1	CH2	
6860-12-06	6	1/4"	9/16-18	M12x1.5	30	18	14	17	0.045
6860-14-09	8-10	5/16"-3/8"	11/16-16	M14x1.5	32	19.5	19	19	0.075
6860-16-09	8-10	5/16"-3/8"	11/16-16	M16x1.5	34	19.5	19	22	0.080
6860-18-11	12	1/2"	13/16-16	M18x1.5	37	22	19	24	0.110
6860-18-13	14-16	5/8"	1-14	M18x1.5	40	26	27	24	0.170
6860-22-13	14-16	5/8"	1-14	M22x1.5	44	26	27	27	0.190
6860-27-14	18-20	3/4"	1.3/16-12	M27x2	50	27	27	32	0.250
6860-33-15	22-25	1"	1.7/16-12	M33x2	52.5	30	36	41	0.300
6860-42-21	28-32	1.1/4"	1.11/16-12	M42x2	54	32	41	50	0.445

6890

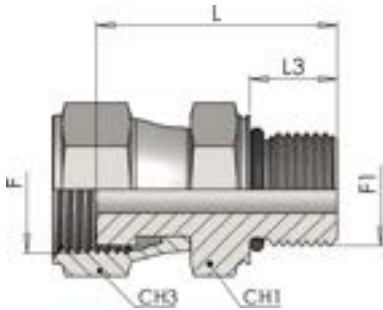
Adjustable stud Branch Tee ORFS-METRIC (ISO 6149)

SDBT



Product number	Ø tube		Thread		Dimension				Weight kg/unit
	mm	inch	F	F1	L	L1	CH1	CH2	
6890-12-06	6	1/4"	9/16-18	M12x1.5	33	21	14	17	0.066
6890-14-09	8-10	5/16"-3/8"	11/16-16	M14x1.5	36	25	19	19	0.080
6890-16-09	8-10	5/16"-3/8"	11/16-16	M16x1.5	38	25	19	22	0.085
6890-18-11	12	1/2"	13/16-16	M18x1.5	41	28	19	24	0.200
6890-22-13	14-16	5/8"	1-14	M22x1.5	50	33.5	27	27	0.280
6890-27-14	18-20	3/4"	1.3/16-12	M27x2	55	37.5	27	32	0.530
6890-33-15	22-25	1"	1.7/16-12	M33x2	59	41.5	36	41	0.650
6890-42-21	28-32	1.1/4"	1.11/16-12	M42x2	62	44.5	41	50	0.730
6890-48-32	35-38	1.1/2"	2-12	M48x2	68	49	50	55	0.890

6850

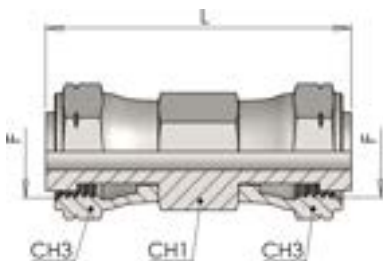


ORFS Swivel female - Male Metric (ISO 6149)

SDSWS

Product number	Ø tube		Thread		Dimension				Weight
	mm	inch	F	F1	L	L3	CH1	CH3	kg/unit
6850-12-06	6	1/4"	9/16-18	M12x1,5	37	11	17	17	0,053
6850-16-09	8-10	5/16"-3/8"	11/16-16	M16x1,5	40.5	12.5	22	22	0,072
6850-18-11	12	1/2"	13/16-16	M18x1,5	49.5	14	24	24	0,11
6850-22-13	14-16	5/8"	1-14	M22x1,5	53	15	27	30	0,173
6850-27-14	18-20	3/4"	1.3/16-12	M27x2	59.5	18.5	32	36	0,275
6850-33-15	22-25	1"	1.7/16-12	M33x2	67.5	18.5	41	41	0,462
6850-42-21	28-32	1.1/4"	1.11/16-12	M42x2	68	19	50	50	0,622
6850-48-32	35-38	1.1/2"	2-12	M48x2	70.5	21.5	55	60	0,885

6060



ORFS Straight swivel nut union (ISO 8434-3)

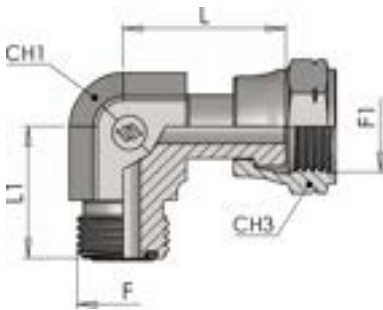
SWS

Product number	Ø tube		Thread	Dimension			Weight
	mm	inch	F	L	CH1	CH3	kg/unit
6060-06-06	6	1/4"	9/16-18	40.4	17	17	0,053
6060-09-09	8-10	5/16"-3/8"	11/16-16	45	19	22	0,066
6060-11-11	12	1/2"	13/16-16	53.8	22	24	0,11
6060-13-13	14-16	5/8"	1-14	61.5	27	30	0,17
6060-14-14	18-20	3/4"	1.3/16-12	69.6	32	36	0,275

6056**ORFS Reducing male-female (ISO 8434-3)****SRDS**

Product number	Ø tube		Thread		Dimension			Weight kg/unit
	mm	inch	F	F1	L	CH1	CH3	
6056-09-06	10-06	3/8"-1/4"	11/16-16	9/16-18	19.5	22	0,021	
6056-11-06	12-06	1/2"-1/4"	13/16-16	9/16-18	22	24	0,03	
6056-11-09	12-10	1/2"-3/8"	13/16-16	11/16-16	22.5	24	0,033	
6056-13-06	16-06	5/8"-1/4"	1-14	9/16-18	23	30	0,071	
6056-13-09	16-08	5/8"-5/16"	1-14	11/16-16	24	30	0,073	
6056-13-11	16-12	5/8"-1/2"	1-14	13/16-16	25.5	30	0,078	
6056-14-06	20-06	3/4"-1/4"	1.3/16-12	9/16-18	25	36	0,085	
6056-14-09	20-10	3/4"-3/8"	1.3/16-12	11/16-16	26	36	0,098	
6056-14-11	20-12	3/4"-1/2"	1.3/16-12	13/16-16	27.5	36	0,105	
6056-14-13	20-16	3/4"-5/8"	1.3/16-12	1-14	29.5	36	0,085	
6056-15-11	25-12	1"-1/2"	1.7/16-12	13/16-16	29	41	0,135	
6056-15-13	25-16	1"-5/8"	1.7/16-12	1-14	32	41	0,14	
6056-15-14	25-20	1"-3/4"	1.7/16-12	1.3/16-12	33	41	0,133	
6056-21-14	30-20	1.1/4"-3/4"	1.11/16-12	1.3/16-12	33.5	50	0,15	
6056-21-15	30-25	1.1/4"-1"	1.11/16-12	1.7/16-12	38.5	50	0,2	
6056-32-15	38-25	1.1/2"-1"	2-12	1.7/16-12	34	60	0,42	
6056-32-21	38-30	1.1/2"-1.1/4"	2-12	1.11/16-12	34	60	0,42	

6205

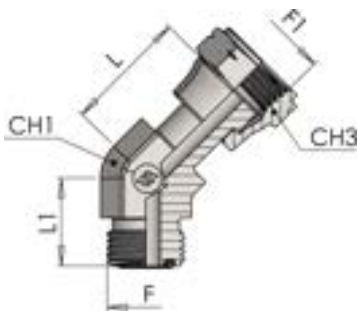


90° Swivel Elbow (ISO 8434-3)

SWE

Product number	Ø tube		Thread		Dimension				Weight
	mm	inch	F	F1	L	L1	CH1	CH3	kg/unit
6205-06	6	1/4"	9/16-18	9/16-18	27.5	21	14	17	0,045
6205-09	8-10	5/16"-3/8"	11/16-16	11/16-16	31	25	19	22	0,084
6205-11	12	1/2"	13/16-16	13/16-16	38	28	19	24	0,126
6205-13	14-16	5/8"	1-14	1-14	43	33.5	27	30	0,221
6205-14	18-20	3/4"	1.3/16-12	1.3/16-12	47.5	37.5	27	36	0,275
6205-15	22-25	1"	1.7/16-12	1.7/16-12	54	41.5	36	41	0,541
6205-21	28-32	1.1/4"	1.11/16-12	1.11/16-12	59	44.5	41	50	0,557
6205-32	35-38	1.1/2"	2-12	2-12	62	49	50	60	0,75

6255



45° Swivel Elbow (ISO 8434-3)

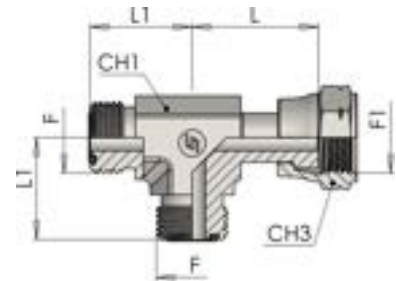
SWE45

Product number	Ø tube		Thread		Dimension				Weight
	mm	inch	F	F1	L	L1	CH1	CH3	kg/unit
6255-06	6	1/4"	9/16-18	9/16-18	26	18	14	17	0,044
6255-09	8-10	5/16"-3/8"	11/16-16	11/16-16	28	20	19	22	0,082
6255-11	12	1/2"	13/16-16	13/16-16	33	22	19	24	0,11
6255-13	14-16	5/8"	1-14	1-14	36.5	23.5	27	30	0,19
6255-14	18-20	3/4"	1.3/16-12	1.3/16-12	41.5	26	27	36	0,215
6255-15	22-25	1"	1.7/16-12	1.7/16-12	46.5	32	36	41	0,3
6255-21	28-32	1.1/4"	1.11/16-12	1.11/16-12	46.5	32	41	50	0,5
6255-32	35-38	1.1/2"	2-12	2-12	48.5	37	50	60	0,745

6620

Swivel Run Tee (ISO 8434-3)

SWRT

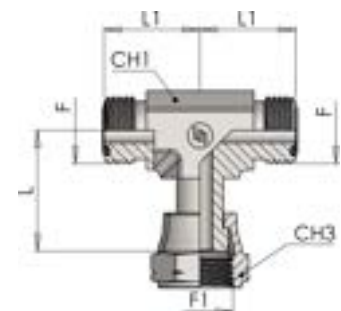


Product number	Ø tube		Thread		Dimension				Weight kg/unit
	mm	inch	F	F1	L	L1	CH1	CH3	
6620-06	6	1/4"	9/16-18	9/16-18	27.5	21	14	17	0,066
6620-09	8-10	5/16"-3/8"	11/16-16	11/16-16	31	25	19	22	0,125
6620-11	12	1/2"	13/16-16	13/16-16	38	28	19	24	0,15
6620-13	14-16	5/8"	1-14	1-14	43	33.5	27	30	0,233
6620-14	18-20	3/4"	1.3/16-12	1.3/16-12	47.5	37.5	27	36	0,28
6620-15	22-25	1"	1.7/16-12	1.7/16-12	54	41.5	36	41	0,505
6620-21	28-32	1.1/4"	1.11/16-12	1.11/16-12	59	44.5	41	50	0,775
6620-32	35-38	1.1/2"	2-12	2-12	62	49	50	60	0,965

6630

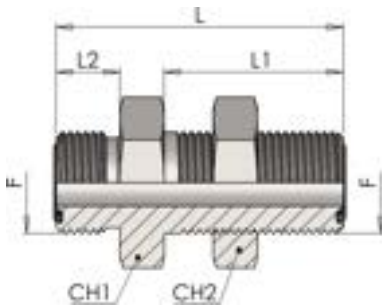
Swivel Branch Tee (ISO 8434-3)

SWBT



Product number	Ø tube		Thread		Dimension				Weight kg/unit
	mm	inch	F	F1	L	L1	CH1	CH3	
6630-06	6	1/4"	9/16-18	9/16-18	27.5	21	14	17	0,066
6630-09	8-10	5/16"-3/8"	11/16-16	11/16-16	31	25	19	22	0,125
6630-11	12	1/2"	13/16-16	13/16-16	38	28	19	24	0,15
6630-13	14-16	5/8"	1-14	1-14	43	33.5	27	30	0,233
6630-14	18-20	3/4"	1.3/16-12	1.3/16-12	47.5	37.5	27	36	0,28
6630-15	22-25	1"	1.7/16-12	1.7/16-12	54	41.5	36	41	0,505
6630-21	28-32	1.1/4"	1.11/16-12	1.11/16-12	59	44.5	41	50	0,775
6630-32	35-38	1.1/2"	2-12	2-12	62	49	50	60	0,965

6050

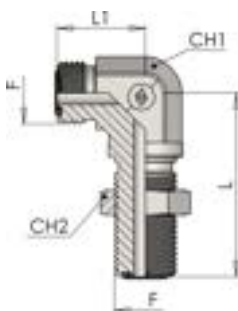


Bulkhead union (ISO 8434-3)

BHS

Product number	Ø tube		Thread	Dimension					Weight
	mm	inch	F	L	L1	L2	CH1	CH2	kg/unit
6050-06	6	1/4"	9/16-18	48	31.5	10	22	22	0,08
6050-09	8-10	5/16"-3/8"	11/16-16	53	34	11	27	27	0,14
6050-11	12	1/2"	13/16-16	58.5	36.5	13	30	30	0,155
6050-13	14-16	5/8"	1-14	66.5	40.5	15.5	36	36	0,31
6050-14	18-20	3/4"	1.3/16-12	69	41.5	17	41	41	0,34
6050-15	22-25	1"	1.7/16-12	70	42	17.5	46	46	0,436
6050-21	28-32	1.1/4"	1.11/16-12	70	42	17.5	50	50	0,51
6050-32	35-38	1.1/2"	2-12	70	42	17.5	60	60	0,674

6510



90° Bulkhead union (ISO 8434-3)

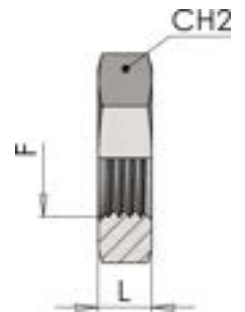
BHE

Product number	Ø tube		Thread	Dimension				Weight
	mm	inch	F	L	L1	CH1	CH2	kg/unit
6510-06	6	1/4"	9/16-18	47	21	14	22	0,078
6510-09	8-10	5/16"-3/8"	11/16-16	52	25	19	27	0,146
6510-11	12	1/2"	13/16-16	55	28	19	30	0,252
6510-13	14-16	5/8"	1-14	63	35	27	36	0,287
6510-14	18-20	3/4"	1.3/16-12	67	38	27	41	0,31
6510-15	22-25	1"	1.7/16-12	71	41.5	36	46	0,64

0107

Bulkhead locknut

BHLN

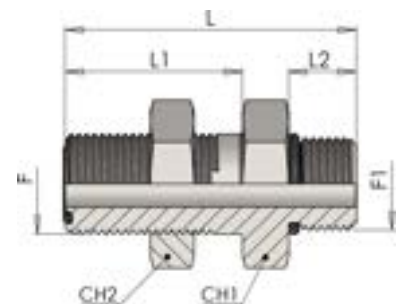


Product number	Thread	Dimension		Weight
	F	L	CH2	kg/unit
0107-06	9/16-18	7	22	0,011
0107-09	11/16-16	8	27	0,025
0107-11	13/16-16	9	30	0,031
0107-13	1-14	11	36	0,053
0107-14	1.3/16-12	11	41	0,064
0107-15	1.7/16-12	11	46	0,068
0107-21	1.11/16-12	11	50	0,070
0107-32	2-12	11	60	0,100

6150

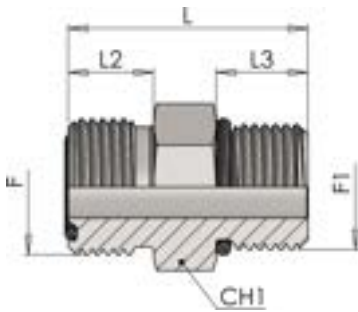
Bulkhead unions ORFS/UNF (ISO 11926)

BHS



Product number	Ø tube		Thread		Dimension					Weight
	mm	inch	F	F1	L	L1	L2	CH1	CH2	kg/unit
6150-04-06	6	1/4"	9/16-18	7/16-20	54	31.5	11	22	22	0,075
6150-06-09	8-10	5/16"-3/8"	11/16-16	9/16-18	58	34	12	27	27	0,112
6150-08-11	12	1/2"	13/16-16	3/4-16	65	36.5	14	30	30	0,147
6150-10-13	14-16	5/8"	1-14	7/8-14	67	40.5	16	36	36	0,295
6150-12-14	18-20	3/4"	1.3/16-12	1.1/16-12	71	41.5	18.5	41	41	0,33

6100



Male stud connector ORFS-UNF (ISO 11926)

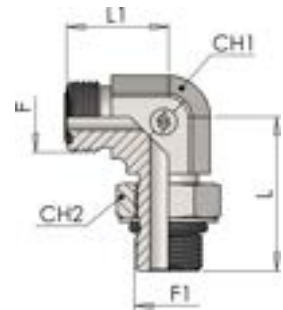
SDS

Product number	Ø tube		Thread		Dimension				Weight
	mm	inch	F	F1	L	L2	L3	CH1	kg/unit
6100-04-06	6	1/4"	9/16-18	7/16-20	29	10	11	17	0,03
6100-06-06	6	1/4"	9/16-18	9/16-18	31	10	12	19	0,036
6100-06-09	8-10	5/16"-3/8"	11/16-16	9/16-18	32	11	12	19	0,045
6100-08-11	12	1/2"	13/16-16	3/4-16	37	13	14	22	0,067
6100-10-09	8-10	5/16"-3/8"	11/16-16	7/8-14	39	11	16	27	0,089
6100-10-13	14-16	5/8"	1-14	7/8-14	43	15.5	16	27	0,109
6100-10-14	18-20	3/4"	1.3/16-12	7/8-14	51	17	16	32	0,177
6100-12-14	18-20	3/4"	1.3/16-12	1.1/16-12	49	17	18.5	32	0,173
6100-12-15	22-25	1"	1.7/16-12	1.1/16-12	55	17.5	18.5	41	0,287
6100-16-14	18-20	3/4"	1.3/16-12	1.5/16-12	50	17	18.5	41	0,254
6100-16-15	22-25	1"	1.7/16-12	1.5/16-12	50	17.5	18.5	41	0,29
6100-20-15	22-25	1"	1.7/16-12	1.5/8-12	52.5	17.5	18.5	46	0,428
6100-20-21	28-32	1.1/4"	1.11/16-12	1.5/8-12	52.5	17.5	18.5	46	0,416
6100-24-32	35-38	1.1/2"	2-12	1.7/8-12	54	17.5	18.5	55	0,612

6200

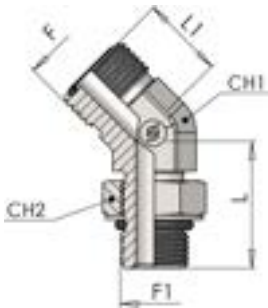
Adjustable stud elbow ORFS-UNF (ISO 11926)

SDE



Product number	Ø tube		Thread		Dimension				Weight kg/unit
	mm	inch	F	F1	L	L1	CH1	CH2	
6200-04-06	6	1/4"	9/16-18	7/16-20	32	21	14	17	0,053
6200-06-06	6	1/4"	9/16-18	9/16-18	37	23	19	19	0,066
6200-06-09	8-10	5/16"-3/8"	11/16-16	9/16-18	37	25	19	19	0,068
6200-08-11	12	1/2"	13/16-16	3/4-16	41	28	19	24	0,164
6200-10-13	14-16	5/8"	1-14	7/8-14	50	33.5	27	27	0,214
6200-12-14	18-20	3/4"	1.3/16-12	1.1/16-12	55	37.5	27	36	0,35
6200-16-15	22-25	1"	1.7/16-12	1.5/16-12	59	41.5	36	41	0,49
6200-20-21	28-32	1.1/4"	1.11/16-12	1.5/8-12	62	44.5	41	50	0,695
6200-24-32	35-38	1.1/2"	2-12	1.7/8-12	67	49	50	55	0,775

6250

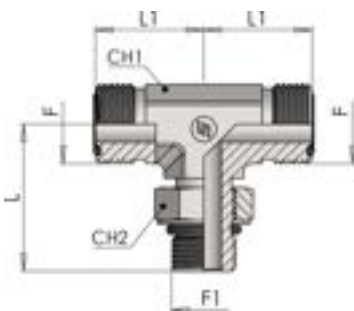


Adjustable stud elbow ORFS-UNF (ISO 11926)

SDE45

Product number	Ø tube		Thread		Dimension				Weight kg/unit
	mm	inch	F	F1	L	L1	CH1	CH2	
6250-04-06	6	1/4"	9/16-18	7/16-20	30	18	14	17	0,045
6250-04-09	8-10	5/16"-3/8"	11/16-16	7/16-20	31.5	19.5	19	17	0.064
6250-06-09	8-10	5/16"-3/8"	11/16-16	9/16-18	33	19.5	19	19	0,083
6250-08-09	8-10	5/16"-3/8"	11/16-16	3/4-16	37	19	19	24	0.096
6250-08-11	12	1/2"	13/16-16	3/4-16	37	22	19	24	0,117
6250-08-13	14-16	5/8"	1-14	3/4-16	40.5	26	27	24	0.192
6250-10-13	14-16	5/8"	1-14	7/8-14	44	26	27	27	0,194
6250-12-14	18-20	3/4"	1.3/16-12	1.1/16-12	50	27	27	36	0,294
6250-16-15	22-25	1"	1.7/16-12	1.5/16-12	52.5	30	36	41	0,394
6250-20-21	28-32	1.1/4"	1.11/16-12	1.5/8-12	53.5	32	41	50	0,447

6400



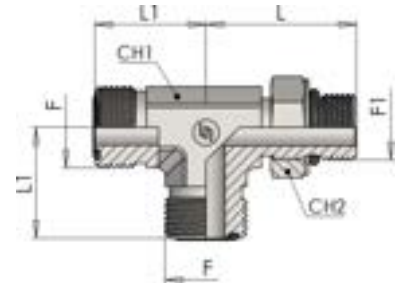
Adjustable stud Branch Tee ORFS-UNF (ISO 11926)

SDBT

Product number	Ø tube		Thread		Dimension				Weight kg/unit
	mm	inch	F	F1	L	L1	CH1	CH2	
6400-04-06	6	1/4"	9/16-18	7/16-20	32	21	14	17	0,067
6400-06-09	8-10	5/16"-3/8"	11/16-16	9/16-18	37	25	19	19	0,131
6400-08-11	12	1/2"	13/16-16	3/4-16	41	28	19	24	0,187
6400-10-13	14-16	5/8"	1-14	7/8-16	50	33.5	27	27	0,279
6400-12-14	18-20	3/4"	1.3/16-12	1.1/16-12	55	37.5	27	36	0,441
6400-16-15	22-25	1"	1.7/16-12	1.5/16-12	59	41.5	36	41	0,539
6400-20-21	28-32	1.1/4"	1.11/16-12	1.5/8-12	62	44.5	41	50	0,851
6400-24-32	35-38	1.1/2"	2-12	1.7/8-12	67	49	50	55	0,942

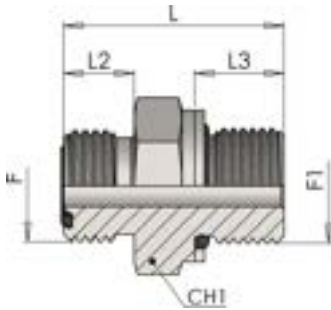
6450

Adjustable stud Run Tee ORFS-UNF (ISO 11926)

SDRT

Product number	Ø tube		Dimension									Thread		Weight kg/unit
	mm	inch	C	L	B	H	E	F	F1	L1	CH1	CH2		
6450-04-06	6	1/4"	10	32	33	17	14	9/16-18	7/16-20	21	14	17	0,067	
6450-06-09	8-10	5/16"-3/8"	11	37	37	19	19	11/16-16	9/16-18	25	19	19	0,131	
6450-08-11	12	1/2"	13	41	41	22	19	13/16-16	3/4-16	28	19	24	0,187	
6450-10-13	14-16	5/8"	16	50	50	27	27	1-14	7/8-16	33.5	27	27	0,279	
6450-12-14	18-20	3/4"	17	55	55	32	30	1.3/16-12	1.1/16-12	37.5	27	36	0,441	
6450-16-15	22-25	1"	18	59	60	38	37	1.7/16-12	1.5/16-12	41.5	36	41	0,539	
6450-20-21	28-32	1.1/4"	18	62	62	46	41	1.11/16-12	1.5/8-12	44.5	41	50	0,851	
6450-24-32	35-38	1.1/2"	18	67	66	55	48	2-12	1.7/8-12	49	50	55	0,942	

6800



Male stud connector ORFS-BSPP (ISO 1179)

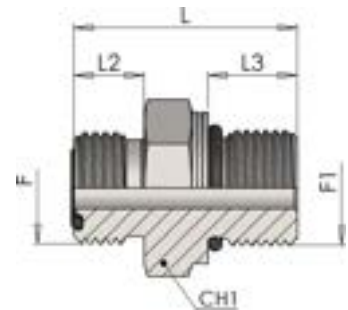
SDS

Product number	Ø tube		Thread		Dimension				Weight kg/unit
	mm	inch	F	F1	L	L2	L3	CH1	
6800-02-06	6	1/4"	9/16-18	G 1/8	25	10	8	17	0,029
6800-04-06	6	1/4"	9/16-18	G 1/4	30.5	10	12	19	0,042
6800-04-09	8-10	5/16"-3/8"	11/16-16	G 1/4	31.5	11	12	19	0,045
6800-04-11	12	1/2"	13/16-16	G 1/4	33.5	13	12	22	0,04
6800-06-06	6	1/4"	9/16-18	G 3/8	30.5	10	12	22	0,061
6800-06-09	8-10	5/16"-3/8"	11-16-16	G 3/8	31.5	11	12	22	0,063
6800-06-11	12	1/2"	13/16-16	G 3/8	33.5	13	12	22	0,06
6800-06-13	14-16	5/8"	1-14	G 3/8	37.5	15.5	12	27	0,093
6800-08-09	8-10	5/16"-3/8"	11/16-16	G 1/2	35.5	11	14.5	27	0,052
6800-08-11	12	1/2"	13/16-16	G 1/2	37.5	13	14.5	27	0,09
6800-08-13	14-16	5/8"	1-14	G 1/2	40	15.5	14.5	27	0,11
6800-08-14	18-20	3/4"	1.3/16-12	G 1/2	41.5	17	14.5	32	0,147
6800-12-13	14-16	5/8"	1-14	G 3/4	43.5	15.5	16	36	0,154
6800-12-14	18-20	3/4"	1.3/16-12	G 3/4	45	17	16	36	0,164
6800-12-15	22-25	1"	1.7/16-12	G 3/4	45.5	17.5	16	41	0,236
6800-16-14	18-20	3/4"	1.3/16-12	G 1	47.5	17	18	41	0,271
6800-16-15	22-25	1"	1.7/16-12	G 1	48	17.5	18	41	0,276
6800-16-21	28-32	1.1/4"	1.11/16-12	G 1	49.5	17.5	18	46	0,37
6800-20-15	22-25	1"	1.7/16-12	G 1.1/4	51.5	17.5	20	50	0,505
6800-20-21	28-32	1.1/4"	1.11/16-12	G 1.1/4	51.5	17.5	20	50	0,487
6800-24-21	28-32	1.1/4"	1.11/16-12	G 1.1/2	55.5	17.5	22	55	0,532
6800-24-32	35-38	1.1/2"	2-12	G 1.1/2	55.5	17.5	22	55	0,585

6840

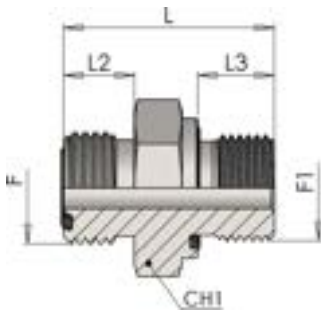
Male stud connector ORFS-METRIC (ISO 6149)

SDS



Product number	Ø tube		Dimension									Thread			Weight
	mm	inch	B	C	L	E	F	F1	L2	L3	CH1	kg/unit			
6840-10-06	6	1/4"	9.8	9	27	17	9/16-18	M10x1	10	9.5	17	0,02			
6840-12-06	6	1/4"	9.8	11	28.5	17	9/16-18	M12x1.5	10	11	17	0,024			
6840-12-09	8-10	5/16"-3/8"	11.2	11	32	19	11/16-16	M12x1.5	11	11	19	0,04			
6840-14-06	6	1/4"	9.8	11	29.5	19	9/16-18	M14x1,5	10	11	19	0,03			
6840-14-09	8-10	5/16"-3/8"	11.2	11	30.5	19	11/16-16	M14x1,5	11	11	19	0,043			
6840-14-11	12	1/2"	12.8	11	33.5	22	13/16-16	M14x1,5	13	11	22	0,04			
6840-16-09	8-10	5/16"-3/8"	11.2	13	33.5	22	11/16-16	M16x1,5	11	12.5	22	0,043			
6840-16-11	12	1/2"	12.8	13	36.5	24	13/16-16	M16x1,5	13	12.5	22	0,058			
6840-18-09	8-10	5/16"-3/8"	11.2	14	34	24	11/16-16	M18x1,5	11	14	24	0,045			
6840-18-11	12	1/2"	12.8	14	38	24	13/16-16	M18x1,5	13	14	24	0,055			
6840-18-13	14-16	5/8"	15.5	14	41	27	1-14	M18x1,5	15.5	14	27	0,12			
6840-22-09	8-10	5/16"-3/8"	11.2	15	37.5	27	11/16-16	M22x1,5	11	15	27	0,052			
6840-22-11	12	1/2"	12.8	15	39.5	27	13/16-16	M22x1,5	13	15	27	0,06			
6840-22-13	14-16	5/8"	15.5	15	42	27	1-14	M22x1,5	15.5	15	27	0,127			
6840-22-14	18-20	3/4"	17	15	48	32	1.3/16-12	M22x1,5	17	15	32	0,17			
6840-27-11	12	1/2"	12.8	18	44.5	32	13/16-16	M27x2	13	18.5	32	0,07			
6840-27-14	18-20	3/4"	17	19	48.5	32	1.3/16-12	M27x2	17	18.5	32	0,187			
6840-27-15	22-25	1"	17.5	18	52	41	1.7/16-12	M27x2	17.5	18.5	41	0,23			
6840-33-14	18-20	3/4"	17	19	51.5	41	1.3/16-12	M33x2	17	18.5	41	0,2			
6840-33-15	22-25	1"	17.5	18	52	41	1.7/16-12	M33x2	17.5	18.5	41	0,27			
6840-33-21	28-32	1.1/4"	17.5	18	52	46	1.11/16-12	M33x2	17.5	18.5	46	0,37			
6840-42-21	28-32	1.1/4"	17.5	19	54.5	50	1.11/16-12	M42x2	17.5	19	50	0,39			
6840-42-32	35-38	1.1/2"	17.5	19	54.5	55	2-12	M42x2	17.5	19	55	0,4			
6840-48-32	35-38	1.1/2"	17.5	21	57	55	2-12	M48x2	17.5	21.5	55	0,412			

6905



Male stud connector ORFS-METRICO (Form E ISO 9974-2)

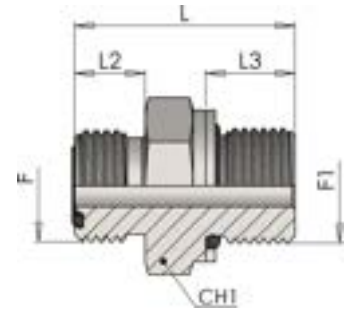
SDS

Product number	Ø tube		Thread		Dimension				Weight
	mm	inch	F	F1	L	L2	L3	CH1	kg/unit
6905-10-06	6	1/4"	9/16-18	M10x1	25	10	8	17	0.020
6905-12-06	6	1/4"	9/16-18	M12x1.5	29	10	12	17	0.024
6905-12-09	8-10	5/16"-3/8"	11/16-16	M12x1.5	31.5	11	12	19	0.040
6905-14-06	6	1/4"	9/16-18	M14x1.5	30.5	10	12	19	0.030
6905-14-09	8-10	5/16"-3/8"	11/16-16	M14x1.5	31.5	11	12	19	0.043
6905-16-09	8-10	5/16"-3/8"	11/16-16	M16x1.5	31.5	11	12	22	0.043
6905-16-11	12	1/2"	13/16-16	M16x1.5	33.5	13	12	22	0.058
6905-18-11	12	1/2"	13/16-16	M18x1.5	33.5	13	12	24	0.050
6905-18-13	14-16	5/8"	1-14	M18x1.5	37.5	15.5	12	27	0.120
6905-22-13	14-16	5/8"	1-14	M22x1.5	39.5	15.5	14	27	0.127
6905-27-14	18-20	3/4"	1.3/16-12	M27x2	45	17	16	32	0.187
6905-33-15	22-25	1"	1.7/16-12	M33x2	48	17.5	18	41	0.270
6905-42-21	28-32	1.1/4"	1.11/16-12	M42x2	51.5	17.5	20	50	0.390
6905-48-32	35-38	1.1/2"	2-12	M48x2	55.5	17.5	22	55	0.412

6900

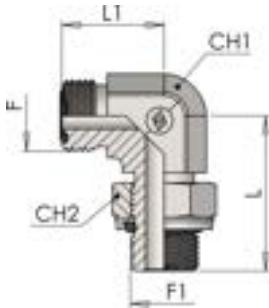
Male stud connector ORFS-METRIC with O-ring and retaining ring

SDS



Product number	Ø tube		Dimension							Thread		Weight
	mm	inch	B	C	E	F	F1	L	L2	L3	CH1	kg/unit
6900-10-06	6	1/4"	9	34	16	9/16-18	M10x1	26	10	9	17	0,02
6900-12-06	6	1/4"	12	34	17	9/16-18	M12x1,5	28.5	10	11.5	17	0,024
6900-14-09	8-10	5/16"-3/8"	-	37	19	11/16-16	M14x1,5	30.5	11	11.5	19	0,043
6900-16-09	8-10	5/16"-3/8"	13	37	22	11/16-16	M16x1,5	33	11	13	22	0,043
6900-18-11	12	1/2"	14	45	24	13/16-16	M18x1,5	36	13	13.5	24	0,055
6900-22-13	14-16	5/8"	15	53	30	1-14	M22x1,5	40.5	15.5	15	27	0,127
6900-27-14	18-20	3/4"	19	64	36	1.3/16-12	M27x2	47.5	17	18.5	32	0,187
6900-33-15	22-25	1"	19	73	41	1.7/16-12	M33x2	50	17.5	18.5	41	0,27
6900-42-21	28-32	1.1/4"	19	87	50	1.11/16-12	M42x2	52.5	17.5	19	50	0,39
6900-48-32	35-38	1.1/2"	22	97	60	2-12	M48x2	55	17.5	21.5	55	0,412

6320



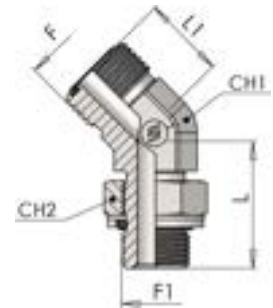
90° Adjustable stud elbow ORFS-METRIC with O-ring and retaining ring

SDE

Product number	Ø tube		Dimension								Thread		Weight
	mm	inch	B	C	H	E	F	F1	L	L1	CH1	CH2	kg/unit
6320-10-06	6	1/4"	22	32	14	14	9/16-18	M10X1	30	21	14	14	0,038
6320-12-06	6	1/4"	22	33	14	17	9/16-18	M12X1.5	33	21	14	17	0,044
6320-14-09	8-10	5/16"-3/8"	25	37	19	19	11/16-16	M14X1.5	36	25	19	19	0,075
6320-16-09	8-10	5/16"-3/8"	25	37	19	22	11/16-16	M16X1.5	38	25	19	22	0,082
6320-16-11	12	1/2"	28	40	19	22	13/16-16	M16X1.5	38	28	19	22	0,1
6320-18-11	12	1/2"	28	40	19	24	13/16-16	M18X1.5	41	28	19	24	0,11
6320-18-13	14-16	5/8"	34	45	27	24	1-14	M18X1.5	45.5	33.5	27	24	0,16
6320-22-13	14-16	5/8"	34	49	27	27	1-14	M22X1.5	50	33.5	27	27	0,19
6320-22-14	18-20	3/4"	38	50	30	27	1.3/16-12	M22X1.5	50	37.5	27	27	0,205
6320-27-14	18-20	3/4"	38	55	30	36	1.3/16-12	M27X2	55	37.5	27	32	0,235
6320-27-15	22-25	1"	42	56	37	36	1.7/16-12	M27X2	57	41.5	36	32	0,27
6320-33-15	22-25	1"	42	60	37	41	1.7/16-12	M33X2	59	41.5	36	41	0,3
6320-42-21	28-32	1.1/4"	45	62	41	50	1.11/16-12	M42X2	62	44.5	41	50	0,445
6320-48-32	35-38	1.1/2"	49	68	48	60	2-12	M48X2	68	49	50	55	0,57

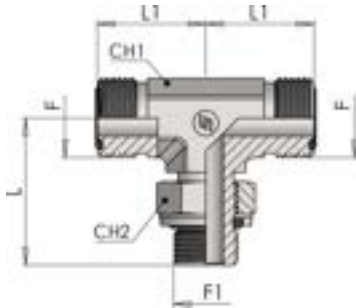
6270

**45° Adjustable stud elbow ORFS-
METRIC with O-ring and retaining
ring**

SDE45

Product number	Ø tube		Dimension								Thread		Weight
	mm	inch	B	C	H	E	F	F1	L	L1	CH1	CH2	kg/unit
6270-10-06	6	1/4"	16	30	14	14	9/16-18	M10X1	28	18	14	14	0,038
6270-12-06	6	1/4"	16	30	14	17	9/16-18	M12X1.5	30	18	14	17	0,044
6270-14-09	8-10	5/16"-3/8"	19	-	19	19	11/16-16	M14X1.5	32	19.5	19	19	0,075
6270-16-09	8-10	5/16"-3/8"	19	34	19	22	11/16-16	M16X1.5	34	19.5	19	22	0,082
6270-18-11	12	1/2"	21	37	19	24	13/16-16	M18X1.5	37	22	19	24	0,11
6270-18-13	14-16	5/8"	24	-	27	24	1-14	M18X1.5	40	26	27	24	0,16
6270-22-13	14-16	5/8"	24	44	27	27	1-14	M22X1.5	44	26	27	27	0,19
6270-27-14	18-20	3/4"	26	51	30	36	1.3/16-12	M27X2	50	27	27	32	0,235
6270-33-15	22-25	1"	30	53	37	41	1.7/16-12	M33X2	52.5	30	36	41	0,3
6270-42-21	28-32	1.1/4"	32	54	41	50	1.11/16-12	M42X2	54	32	41	50	0,445

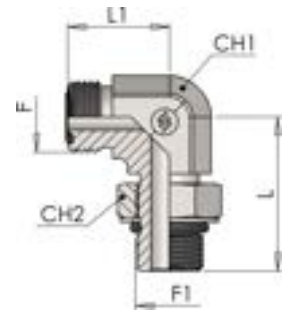
6420



Adjustable stud Branch Tee ORFS-METRIC with O-ring and retaining ring

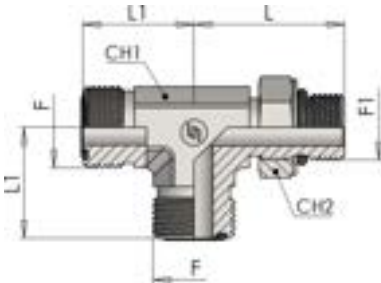
SDBT

Product number	Ø tube		Dimension								Thread		Weight
	mm	inch	B	C	H	E	F	F1	L	L1	CH1	CH2	kg/unit
6420-12-06	6	1/4"	22	33	14	17	9/16-18	M12X1.5	33	21	14	17	0,066
6420-14-09	8-10	5/16"-3/8"	25	37	19	19	11/16-16	M14X1.5	36	25	19	19	0,097
6420-16-09	8-10	5/16"-3/8"	25	37	19	22	11/16-16	M16X1.5	38	25	19	22	0,131
6420-18-11	12	1/2"	28	40	19	24	13/16-16	M18X1.5	41	28	19	24	0,187
6420-22-13	14-16	5/8"	34	49	27	27	1-14	M22X1.5	50	33.5	27	27	0,283
6420-27-14	18-20	3/4"	38	55	30	36	1.3/16-12	M27X2	55	37.5	27	32	0,549
6420-33-15	22-25	1"	42	60	37	41	1.7/16-12	M33X2	59	41.5	36	41	0,565
6420-42-21	28-32	1.1/4"	45	62	41	50	1.11/16-12	M42X2	62	44.5	41	50	0,824
6420-48-32	35-38	1.1/2"	49	68	48	60	2-12	M48X2	68	49	50	55	0,94

6870**90° Adjustable stud elbow ORFS-METRIC (ISO 6149)****SDE**

Product number	Ø tube		Thread		Dimension				Weight kg/unit
	mm	inch	F	F1	L	L1	CH1	CH2	
6870-10-06	6	1/4"	9/16-18	M10x1	30	21	14	14	0.050
6870-12-06	6	1/4"	9/16-18	M12x1.5	33	21	14	17	0.052
6870-14-09	8-10	5/16"-3/8"	11/16-16	M14x1.5	36	25	19	19	0.060
6870-16-09	8-10	5/16"-3/8"	11-16-16	M16x1.5	38	25	19	22	0.065
6870-18-11	12	1/2"	13/16-16	M18x1.5	41	28	19	24	0.160
6870-18-13	14-16	5/8"	1-14	M18x1.5	45.5	33.5	27	24	0.190
6870-22-13	14-16	5/8"	1-14	M22x1.5	50	33.5	27	27	0.215
6870-27-14	18-20	3/4"	1.3/16-12	M27x2	55	37.5	27	32	0.420
6870-33-15	22-25	1"	1.7/16-12	M33x2	59	41.5	36	41	0.500
6870-42-21	28-32	1.1/4"	1.11/16-12	M42x2	62	44.5	41	50	0.560
6870-48-32	35-38	1.1/2"	2-12	M48x2	68	49	50	55	0.685

6880

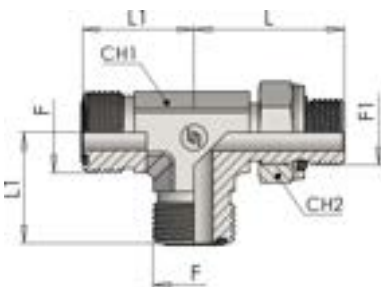


Adjustable stud Run Tee ORFS-METRIC (ISO 6149)

SDRT

Product number	Ø tube		Thread		Dimension				Weight kg/unit
	mm	inch	F	F1	L	L1	CH1	CH2	
6880-12-06	6	1/4"	9/16-18	M12x1.5	33	21	14	17	0.066
6880-14-09	8-10	5/16"-3/8"	11/16-16	M14x1.5	36	25	19	19	0.080
6880-16-09	8-10	5/16"-3/8"	11/16-16	M16x1.5	38	25	19	22	0.085
6880-18-11	12	1/2"	13/16-16	M18x1.5	41	28	19	24	0.200
6880-22-13	14-16	5/8"	1-14	M22x1.5	50	33.5	27	27	0.280
6880-27-14	18-20	3/4"	1.3/16-12	M27x2	55	37.5	27	32	0.530
6880-33-15	22-25	1"	1.7/16-12	M33x2	59	41.5	36	41	0.650
6880-42-21	28-32	1.1/4"	1.11/16-12	M42x2	62	44.5	41	50	0.730
6880-48-32	35-38	1.1/2"	2-12	M48x2	68	49	50	55	0.890

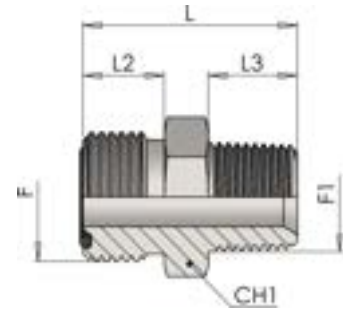
6470



Adjustable stud Run Tee ORFS-METRIC with O-ring and retaining ring

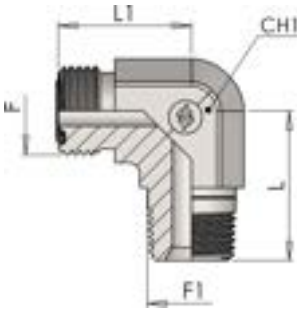
SDRT

Product number	Ø tube		Dimension								Thread		Weight kg/unit
	mm	inch	B	C	H	E	F	F1	L	L1	CH1	CH2	
6470-12-06	6	1/4"	22	33	14	17	9/16-18	M12X1.5	33	21	14	17	0,066
6470-14-09	8-10	5/16"-3/8"	25	37	19	19	11/16-16	M14X1.5	36	25	19	19	0,097
6470-16-09	8-10	5/16"-3/8"	25	37	19	22	11/16-16	M16X1.5	38	25	19	22	0,131
6470-18-11	12	1/2"	28	40	19	24	13/16-16	M18X1.5	41	28	19	24	0,2
6470-22-13	14-16	5/8"	34	49	27	27	1-14	M22X1.5	50	33.5	27	27	0,283
6470-27-14	18-20	3/4"	38	55	30	36	1.3/16-12	M27X2	55	37.5	27	32	0,549
6470-33-15	22-25	1"	42	60	37	41	1.7/16-12	M33X2	59	41.5	36	41	0,652
6470-42-21	28-32	1.1/4"	45	62	41	50	1.11/16-12	M42X2	62	44.5	41	50	0,824
6470-48-32	35-38	1.1/2"	49	68	48	60	2-12	M48X2	68	49	50	55	0,94

6830**Male stud connector ORFS-NPTF****SDS**

Product number	Ø tube		Thread		Dimension				Weight kg/unit
	mm	inch	F	F1	L	L2	L3	CH1	
6830-02-06	6	1/4"	9/16-18	1/8-27 NPTF	27	10	10	17	0,026
6830-04-06	6	1/4"	9/16-18	1/4-18 NPTF	33	10	14.5	17	0,034
6830-04-09	8-10	5/16"-3/8"	11/16-16	1/4-18 NPTF	34	11	14.5	19	0,039
6830-06-06	6	1/4"	9/16-18	3/8-18 NPTF	33	10	14.5	19	0,047
6830-06-09	8-10	5/16"-3/8"	11/16-16	3/8-18 NPTF	34	11	14.5	19	0,052
6830-06-11	12	1/2"	13/16-16	3/8-18 NPTF	37	13	14.5	22	0,083
6830-08-09	8-10	5/16"-3/8"	11/16-16	1/2-14 NPTF	35	11	19	22	0,082
6830-08-11	12	1/2"	13/16-16	1/2-14 NPT	42	13	19	22	0,084
6830-08-13	14-16	5/8"	1-14	1/2-14 NPTF	44.5	15.5	19	27	0,115
6830-08-14	18-20	3/4"	1.3/16-12	1/2-14 NPTF	48	17	19	32	0,165
6830-12-11	8-10	5/16"-3/8"	13/16-16	3/4-14 NPTF	45	13	19	27	0,166
6830-12-13	14-16	5/8"	1-14	3/4-14 NPTF	46.5	15.5	19	27	0,138
6830-12-14	18-20	3/4"	1.3/16-12	3/4-14 NPTF	48	17	19	32	0,179
6830-12-15	22-25	1"	1.7/16-12	3/4-14 NPTF	49	17.5	19	41	0,238
6830-16-14	18-20	3/4"	1.3/16-12	1-11.1/2 NPTF	53.5	17	24	36	0,225
6830-16-15	22-25	1"	1.7/16-12	1-11.1/2 NPTF	54	17.5	24	41	0,271
6830-20-21	28-32	1.1/4"	1.11/16-12	1.1/4-1.1/2 NPTF	56	17.5	24.5	46	0,424
6830-24-32	35-38	1.1/2"	2-12	1.1/2-11.1/2 NPTF	59	17.5	25.5	55	0,534

6230

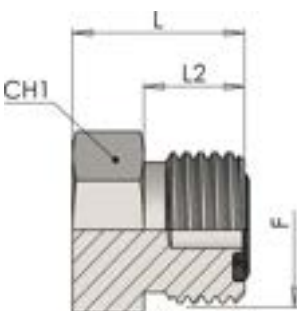


90° Male stud elbows ORFS-NPTF

SDE

Product number	Ø tube		Thread		Dimension			Weight
	mm	inch	F	F1	L	L1	CH1	kg/unit
6230-02-06	6	1/4"	9/16-18	1/8-27 NPTF	21	21	14	0.040
6230-04-06	6	1/4"	9/16-18	1/4-18 NPTF	27.5	21	14	0.050
6230-06-09	8-10	5/16"-3/8"	11/16-16	3/8-18 NPTF	31	25	19	0.080
6230-06-11	12	1/2"	13/16-16	3/8-18 NPTF	31	28	19	0.090
6230-08-11	12	1/2"	13/16-16	1/2-14 NPTF	37	28	22	0.125
6230-08-13	14-16	5/8"	1-14	1/2-14 NPTF	36	33.5	27	0.155
6230-12-14	18-20	3/4"	1.3/16-12	3/4-14 NPTF	40.5	37.5	27	0.205
6230-16-15	22-25	1"	1.7/16-12	1-11.1/2 NPTF	50	41.5	36	0.385
6230-20-21	28-32	1.1/4"	1.11/16-12	1.1/4-1.1/2 NPTF	60.5	44.5	41	0.470
6230-24-32	35-38	1.1/2"	2-12	1.1/2-11.1/2 NPTF	67	49	50	0.605

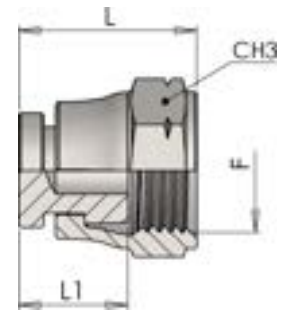
6600



ORFS Male plug (ISO 8434-3)

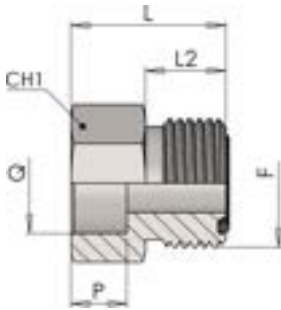
PL

Product number	Ø tube		Dimension					Thread	Weight
	mm	inch	C	E	F	L	L2	CH1	kg/unit
6600-06	6	1/4"	10	17	9/16-18	16.5	10	17	0,018
6600-09	8-10	5/16"-3/8"	11	19	11/16-16	19	11	19	0,034
6600-11	12	1/2"	13	22	13/16-16	22	13	22	0,045
6600-13	14-16	5/8"	16	27	1-14	26	15.5	27	0,091
6600-14	18-20	3/4"	17	32	1.3/16-12	27.5	17	32	0,138
6600-15	22-25	1"	18	38	1.7/16-12	28	17.5	41	0,203
6600-21	28-32	1.1/4"	18	46	1.11/16-12	28	17.5	46	0,266
6600-32	35-38	1.1/2"	18	55	2-12	28	17.5	55	0,369

6610**ORFS Female plug (ISO 8434-3)****CP**

Product number	Ø tube		Dimension				Thread	Weight
	mm	inch	E	F	L	L1	CH3	kg/unit
6610-06	6	1/4"	19	9/16-18	17	9	17	0,0275
6610-09	8-10	5/16"-3/8"	22	11/16-16	19	10.5	22	0,0385
6610-11	12	1/2"	24	13/16-16	22	12	24	0,0484
6610-13	14-16	5/8"	30	1-14	26	13.5	30	0,0874
6610-14	18-20	3/4"	36	1.3/16-12	28.5	15	36	0,1253
6610-15	22-25	1"	41	1.7/16-12	29.5	16	41	0,1671
6610-21	30-32	1.1/4"	50	1.11/16-12	29.5	16	50	0,3157
6610-32	35-38	1.1/2"	60	2-12	29.5	16	60	0,457

MO



ORFS braze-on straight connector (ISO 8434-3)

BRS

Product number	Ø tube		Thread	Dimension					Weight
	mm	inch	F	Q	P	L	L2	CH1	kg/unit
MO-06-10	6	1/4"	9/16-18	10	8.5	22	10	17	0.023
MO-09-10	8-10	5/16"-3/8"	11/16-16	10	8.5	23	11	19	0.036
MO-09-12	8-10	5/16"-3/8"	11/16-16	12	8.5	23	11	19	0.030
MO-11-12	12	1/2"	13/16-16	12	8.5	24.5	13	22	0.044
MO-11-16	12	1/2"	13/16-16	16	9	25	13	22	0.042
MO-13-16	14-16	5/8"	1-14	16	9	28	15.5	27	0.104
MO-14-20	18-20	3/4"	1.3/16-12	20	12.5	33.5	17	32	0.144
MO-14-25	18-20	3/4"	1.3/16-12	25	14	35	17	32	0.220
MO-15-25	22-25	1"	1.7/16-12	25	14	38.5	17.5	41	0.225
MO-15-30	22-25	1"	1.7/16-12	30	14	38.5	17.5	41	0.276
MO-21-32	28-32	1.1/4"	1.11/16-12	32	14	38.5	17.5	46	0.278
MO-21-38	28-32	1.1/4"	1.11/16-12	38	14	38.5	17.5	50	0.371

Adattatori JIC - C





5000



Nut (ISO 8434-2)

106

5010

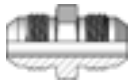


Metric sleeve (ISO 8434-2)

107



1900



Male union (ISO 8434-2)

108



5100



90° Union Elbow (ISO 8434-2)

109

5120



Union Tee (ISO 8434-2)

109

5900



Union Cross (ISO 8434-2)

110

5050



JIC Swivel female - Male UNF (ISO 11926)

110

5036



JIC Swivel female - Male BSPP (Form E ISO 1179-2)

111

5035



JIC Swivel female - Male BSPP (ISO 1179)

112

5037



JIC Swivel female - Male Metric (Form E ISO 9974-2)

113

5038



JIC Swivel female - Male Metric (ISO 6149)

114

5045



JIC Straight swivel nut union (ISO 8434-2)

115

5056



JIC Reducing male-female

116

5060



90° Swivel Elbow (ISO 8434-2)

117

5070



45° Swivel Elbow (ISO 8434-2)

117

5080



Swivel Run Tee (ISO 8434-2)

118

5090



Swivel Branch Tee (ISO 8434-2)

118

5110



Bulkhead union (ISO 8434-2)

119

5130



90° Bulkhead union (ISO 8434-2)

119

J107



Bulkhead locknut

120

1906



Male stud connector JIC-NPTF

121

5140



90° Male stud Elbow JIC-NPTF

122

5150



45° Male stud Elbow JIC-NPTF

123

5160



NPTF Run Tee

124

5170



NPT Branch Tee

125

5180



Male JIC -Female NPTF stud connector

126

1907



Male stud connector JIC-UNF (ISO 11926)

127

5190



90° Adjustable stud elbow JIC-UNF (ISO 11926)

128

5200



45° Adjustable stud elbow JIC-UNF (ISO 11926)

129

5210



Adjustable stud Run Tee
JIC-UNF (ISO 11926)

129

5220



Adjustable stud Branch
Tee JIC-UNF (ISO 11926)

130

5805



Male stud connector JIC-
BSP (Form E ISO 1179-2)

131

1915



Male stud connector JIC-
BSP (ISO 1179)

132

1905



Male stud connector JIC-
BSP

133

5185



Male-Female connector
JIC-BSP

134

5230



90° Adjustable stud
elbow JIC-BSP (ISO 1179)

135

5235



45° Adjustable stud
elbow JIC-BSP (ISO 1179)

136

5240



Adjustable stud Run Tee
JIC-BSP (ISO 1179)

137

5250



Adjustable stud Branch
Tee JIC-BSP (ISO 1179)

138

1910



Male stud connector JIC-
METRIC (ISO 6149)

139

5440



45° Adjustable stud
elbow JIC-METRIC (ISO
6149)

140

5450



Adjustable stud Run Tee
JIC-METRIC (ISO 6149)

141

5455



Adjustable stud Branch
Tee JIC-METRIC (ISO
6149)

142

1775



Male stud connector JIC-
METRIC (Form E ISO
9974-2)

143

1777



Male stud connector JIC-
METRIC with O-ring and
retaining ring

144

5400



90° Adjustable stud elbow JIC-METRIC with O-ring and retaining ring

145

5410



45° Adjustable stud elbow JIC-Metric with O-ring and retaining ring

146

5420



Adjustable stud Run Tee JIC-METRIC with O-ring and retaining ring

147

5425



Adjustable stud Branch Tee JIC-METRIC with O-ring and retaining ring

148

1903



Male Connector Jic/BSPT

149

5165



90° Male stud elbows JIC-BSPT

150

5265



45° Male stud elbows JIC-BSPT

151

5275



BSPT Run Tee

152

5280



BSPT Branch Tee

153

5040



UNF male plug (ISO 11926-1)

153

J605



JIC Male plug (ISO 8434-2)

154

J608



JIC Female swivel plug (ISO 8434-2)

155

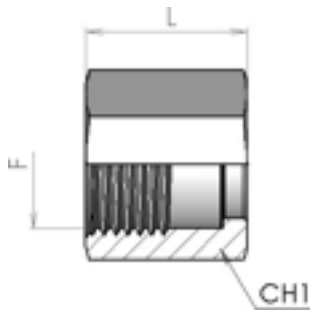
MJ



JIC braze-on straight connector (ISO 8434-2)

155

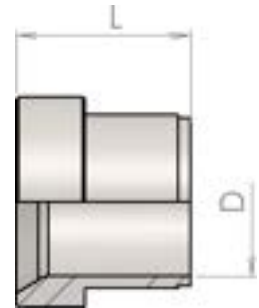
5000



Nut (ISO 8434-2)

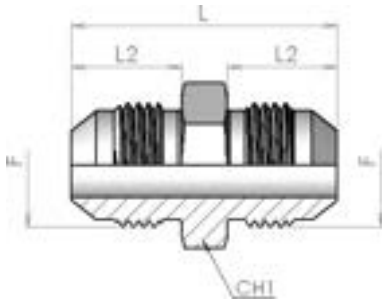
N

Product number	Ø tube		Dimension			Weight kg/unit
	mm	inch	F	L	CH1	
5000-04	6	1/4"	7/16" - 20	15.8	14	0,011
5000-05	8	5/16"	1/2" - 20	17.3	17	0,014
5000-06	10	3/8"	9/16" - 18	18.5	19	0,018
5000-08	12	1/2"	3/4" - 16	21.6	22	0,029
5000-10	16	5/8"	7/8" - 14	24.9	27	0,042
5000-12	20	3/4"	1.1/16" - 12	26.2	32	0,070
5000-16	25	1"	1.5/16" - 12	28.7	41	0,105
5000-20	32	1-1/4"	1.5/8" - 12	31.2	50	0,240
5000-24	38	1-1/2"	1.7/8" - 12	36.1	60	0,320

5010**Metric sleeve (ISO 8434-2)****MSL**

Product number	Ø tube	Dimension		Weight
	mm	L	D	kg/unit
5010-06	6	10.5	6	0,002
5010-08	8	11.5	8	0,002
5010-10	10	12.5	10	0,002
5010-12	12	14.5	12	0,007
5010-14	14	16.5	14	0,013
5010-16	16	16.5	16	0,015
5010-18	18	17	18	0,016
5010-20	20	17	20	0,012
5010-25	25	19.5	25	0,021
5010-30	30	23	30	0,045
5010-32	32	23	32	0,030
5010-38	38	28.5	38	0,050

1900



Male union (ISO 8434-2)

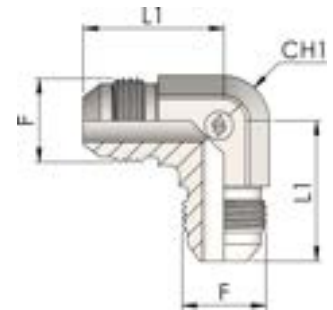
S

Product number	Ø tube		Dimension							W.P.	Thread	Weight
	mm	inch	F	C	L	E	bar	F	L2			
1900-04-04	6	1/4"	7/16" - 20	14	35	12	350	7/16-20	14	12	0,016	
1900-05-05	8	5/16"	1/2" - 20	14	35	14	350	1/2-20	14	14	0,018	
1900-06-06	10	3/8"	9/16" - 18	14	36	15	350	9/16-18	14	17	0,025	
1900-08-08	12	1/2"	3/4" - 16	17	41	19	310	3/4-16	17	22	0,052	
1900-10-10	16	5/8"	7/8" - 14	19	48	24	240	7/8-14	19	24	0,08	
1900-12-12	20	3/4"	1.1/16" - 12	22	55	27	240	1 1/16-12	22	30	0,125	
1900-16-16	25	1"	1.5/16" - 12	23	57	34	210	1 5/16-12	23	36	0,13	
1900-20-20	30-32	1.1/4"	1.5/8" - 12	24	61.5	46	170	1 5/8-12	24	46	0,27	
1900-24-24	38	1.1/2"	1.7/8" - 12	28	70	50	140	1 7/8-12	27.5	50	0,385	
1900-32-32	50	2"	2.1/2" - 12	34	86.5	65	100	2 1/2-12	34	65	0,78	

5100

90° Union Elbow (ISO 8434-2)

E

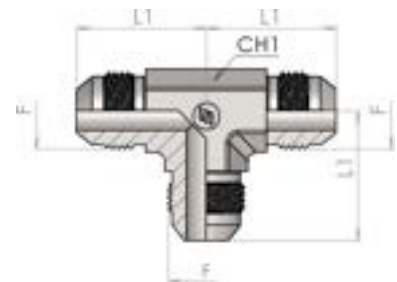


Product number	Ø tube		Dimension							W.P.	Thread	Weight
	mm	inch	F	C	E	bar	F	L1	CH1	kg/unit		
5100-04	6	1/4"	7/16" - 20	22	14	350	7/16-20	22.5	12	0,025		
5100-05	8	5/16"	1/2" - 20	25	14	350	1/2-20	24	14	0,03		
5100-06	10	3/8"	9/16" - 18	26	14	350	9/16-18	27	14	0,045		
5100-08	12	1/2"	3/4" - 16	31	19	310	3/4-16	32	19	0,09		
5100-10	16	5/8"	7/8" - 14	34	22	240	7/8-14	37	22	0,14		
5100-12	20	3/4"	1.1/16" - 12	41	27	240	1.1/16-12	42	27	0,26		
5100-16	25	1"	1.5/16" - 12	50	35	210	1.5/16-12	46	33	0,33		
5100-20	32	1.1/4"	1.5/8" - 12	56	44	170	1.5/8-12	52.5	41	0,585		
5100-24	38	1.1/2"	1.7/8" - 12	61	50	140	1.7/8-12	59	50	0,8		

5120

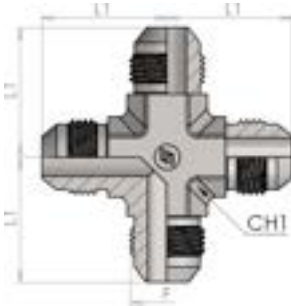
Union Tee (ISO 8434-2)

T



Product number	Ø tube		Dimension							W.P.	Thread	Weight
	mm	inch	F	C	L	B	E	bar	F	L1	CH1	kg/unit
5120-04	6	1/4"	7/16" - 20	26	52	26	14	350	7/16-20	22	12	0,035
5120-05	8	5/16"	1/2" - 20	24	48	24	14	350	1/2-20	24	14	0,045
5120-06	10	3/8"	9/16" - 18	26	52	26	14	350	9/16-18	27	14	0,055
5120-08	12	1/2"	3/4" - 16	32	64	32	19	310	3/4-16	32	19	0,12
5120-10	16	5/8"	7/8" - 14	32	64	32	22	240	7/8-14	36	22	0,18
5120-12	20	3/4"	1.1/16" - 12	42	84	42	27	240	1.1/16-12	42	27	0,29
5120-16	25	1"	1.5/16" - 12	46	92	46	35	210	1.5/16-12	46	33	0,415
5120-20	32	1.1/4"	1.5/8" - 12	52	104	52	44	170	1.5/8-12	52	41	0,7
5120-24	38	1.1/2"	1.7/8" - 12	59	118	59	50	140	1.7/8-12	59	50	1

5900

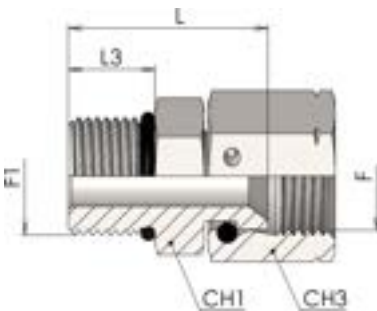


Union Cross (ISO 8434-2)

K

Product number	Ø tube		Dimension						W.P.	Thread	Weight
	mm	inch	F	B	L	E	bar	F	CH1	kg/unit	
5900-04	6	1/4"	7/16" - 20	14	23	12	350	7/16-20	14	0,045	
5900-05	8	5/16"	1/2" - 20	14	24	14	350	1/2-20	14	0,05	
5900-06	10	3/8"	9/16" - 18	14	27	14	350	9/16-18	14	0,065	
5900-08	12	1/2"	3/4" - 16	17	32	19	310	3/4-16	19	0,145	
5900-10	16	5/8"	7/8" - 14	19	37	22	240	7/8-14	22	0,22	
5900-12	20	3/4"	1.1/16" - 12	22	42	27	240	11/16-12	27	0,34	

5050



JIC Swivel female - Male UNF (ISO 11926)

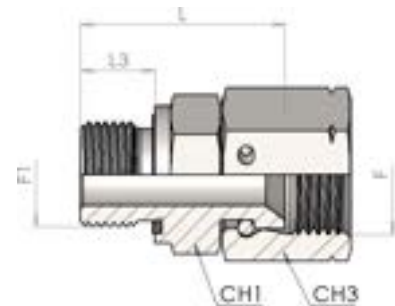
SWS

Product number	Ø tube		Dimension									Thread		Weight
	mm	inch	F	T	C	L	H	E	F	F1	L3	CH1	CH3	kg/unit
5050-04	6	1/4"	7/16" - 20	7/16" - 20	9	27	15	14	7/16-20	7/16-20	9	14	14	0,03
5050-05	8	5/16"	1/2" - 20	1/2" - 20	9	28	17	17	1/2-20	1/2-20	9	17	17	0,033
5050-06	10	3/8"	9/16" - 18	9/16" - 18	10	32	19	17	9/16-18	9/16-18	10	17	19	0,038
5050-08	12	1/2"	3/4" - 16	3/4" - 16	11	33	24	22	3/4-16	3/4-16	11	22	22	0,065
5050-10	16	5/8"	7/8" - 14	7/8" - 14	13	36.5	27	27	7/8-14	7/8-14	12.5	27	27	0,115
5050-12	20	3/4"	1.1/16" - 12	1.1/16" - 12	15	41	32	32	11/16-12	11/16-12	15	32	32	0,185
5050-16	25	1"	1.5/16" - 12	1.5/16" - 12	15	43.5	38	38	15/16-12	15/16-12	15	41	41	0,235
5050-20	32	1.1/4"	1.5/8" - 12	1.5/8" - 12	15	47	50	50	15/8-12	15/8-12	15	50	50	0,5
5050-24	38	1.1/2"	1.7/8" - 12	1.7/8" - 12	15	51.5	55	55	17/8-12	17/8-12	15	55	60	0,69

5036

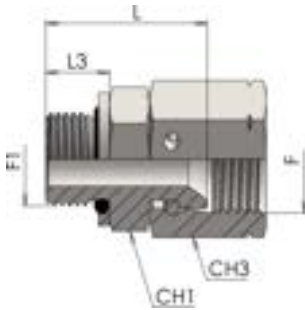
JIC Swivel female - Male BSPP (Form E ISO 1179-2)

SWS



Product number	Ø tube		Dimension										Thread		Weight kg/unit
	mm	inch	F	T	B	D	H	E	F	F1	L	L3	CH1	CH3	
5036-02-04	6	1/4"	7/16"-20	1/8"	8	26	14	14	7/16-20	G 1/8	25	8	14	14	0,03
5036-04-04	6	1/4"	7/16"-20	1/4"	12	26	14	19	7/16-20	G 1/4	30.5	12	19	14	0,04
5036-04-05	8	5/16"	1/2"-20	1/4"	12	27	17	19	1/2-20	G 1/4	31.5	12	19	17	0,042
5036-04-06	10	3/8"	9/16"-18	1/4"	12	28	19	19	9/16-18	G 1/4	32.5	12	19	19	0,045
5036-06-06	10	3/8"	9/16"-18	3/8"	12	30	19	22	9/16-18	G 3/8	34.5	12	22	19	0,06
5036-06-08	12	1/2"	3/4"-16	3/8"	12	32	22	22	3/4-16	G 3/8	33	12	22	22	0,065
5036-06-10	14-16	5/8"	7/8"-14	3/8"	12	36	27	22	7/8-14	G 3/8	34	12	24	27	0,085
5036-08-08	12	1/2"	3/4"-16	1/2"	14	34	22	27	3/4-16	G 1/2	36.5	14	27	22	0,098
5036-08-10	14-16	5/8"	7/8"-14	1/2"	14	38	27	27	7/8-14	G 1/2	37	14	27	27	0,125
5036-12-12	18-20	3/4"	1.1/16"-12	3/4"	16	39	32	32	1.1/16-12	G 3/4	41	16	32	32	0,27
5036-12-16	25	1"	1.5/16"-12	3/4"	16	43	41	32	1.5/16-12	G 3/4	42.5	16	36	41	0,32
5036-16-16	25	1"	1.5/16"-12	1"	18	44	41	41	1.5/16-12	G 1	45	18	41	41	0,4
5036-20-20	30-32	1.1/4"	1.5/8"-12	1.1/4"	20	47	50	50	1.5/8-12	G 1.1/4	55	20	50	50	0,58
5036-24-24	38	1.1/2"	1.7/8"-12	1.1/2"	22	55	60	55	1.7/8-12	G 1.1/2	57	22	55	60	0,79

5035



JIC Swivel female - Male BSPP (ISO 1179)

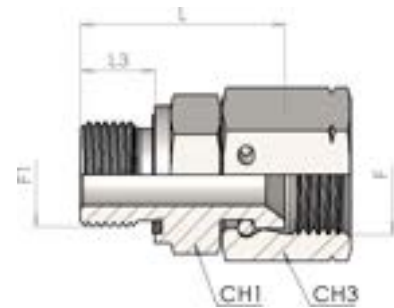
SWS

Product number	Ø tube		Dimension									W.P.	Thread		Weight kg/unit
	mm	F	inch	T	C	L	H	E	bar	F	F1		L3	CH1	
5035-04-02	6	7/16" - 20	1/4"	1/8"-28	6.3	25	17	16	350	7/16-20	G 1/8	8	14	14	0,03
5035-04-04	6	7/16" - 20	1/4"	1/4"-19	9.5	30.5	17	19	350	7/16-20	G 1/4	12	19	14	0,039
5035-04-06	6	7/16" - 20	1/4"	3/8"-19	9.5	31.5	17	22	350	7/16-20	G 3/8	12	22	14	0,057
5035-05-04	8	1/2" - 20	5/16"	1/4"-19	9.5	31.5	19	19	350	1/2-20	G 1/4	12	19	17	0,042
5035-05-06	8	1/2" - 20	5/16"	3/8"-19	9.5	31.5	19	22	350	1/2-20	G 3/8	12	22	17	0,057
5035-06-04	10	9/16" - 18	3/8"	1/4"-19	9.5	32.5	19	19	350	9/16-18	G 1/4	12	19	19	0,046
5035-06-06	10	9/16" - 18	3/8"	3/8"-19	9.5	32.5	19	22	350	9/16-18	G 3/8	12	22	19	0,061
5035-06-08	10	9/16" - 18	3/8"	1/2"-14	13	34.5	19	27	350	9/16-18	G 1/2	14	27	19	0,089
5035-08-04	12	3/4" - 16	1/2"	1/4"-19	9.5	33	24	19	310	3/4-16	G 1/4	12	19	22	0,055
5035-08-06	12	3/4" - 16	1/2"	3/8"-19	9.5	33	24	22	310	3/4-16	G 3/8	12	22	22	0,062
5035-08-08	12	3/4" - 16	1/2"	1/2"-14	13	36.5	24	27	310	3/4-16	G 1/2	14	27	22	0,098
5035-10-06	16	7/8" - 14	5/8"	3/8"-19	9.5	30	27	22	240	7/8-14	G 3/8	12	22	27	0,084
5035-10-08	16	7/8" - 14	5/8"	1/2"-14	13	37	27	30	240	7/8-14	G 1/2	14	27	27	0,127
5035-10-12	16	7/8" - 14	5/8"	3/4"-14	13	41	27	36	240	7/8-14	G 3/4	16	36	27	0,25
5035-12-08	20	1.1/16" - 12	3/4"	1/2"-14	13	37	32	30	240	11/16-12	G 1/2	14	27	32	0,15
5035-12-12	20	1.1/16" - 12	3/4"	3/4"-14	13	41	32	36	240	11/16-12	G 3/4	16	36	32	0,27
5035-12-16	20	1.1/16" - 12	3/4"	1"-11	16	43.5	32	46	240	11/16-12	G 1	18	41	41	0,36
5035-16-12	25	1.5/16" - 12	1"	3/4"-14	13	42.5	38	36	210	15/16-12	G 3/4	16	36	41	0,32
5035-16-16	25	1.5/16" - 12	1"	1"-11	16	45	38	46	210	15/16-12	G 1	18	41	41	0,4
5035-20-20	30	1.5/8" - 12	1.1/4"	1.1/4"-11	16	55	50	50	170	15/8-12	G 1.1/4	20	50	50	0,58
5035-24-24	38	1.7/8" - 12	1.1/2"	1.1/2"-11	16	57	60	55	140	17/8-12	G 1.1/2	22	55	60	0,79

5037

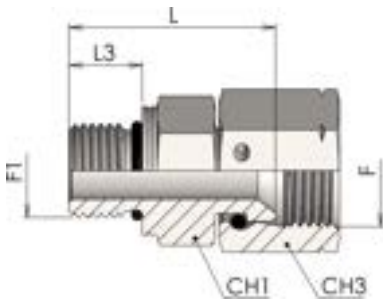
JIC Swivel female - Male Metric (Form E ISO 9974-2)

SWS



Product number	Ø tube		Dimension										Thread		Weight
	mm	inch	F	T	B	D	H	E	F	F1	L	L3	CH1	CH3	kg/unit
5037-10-04	6	1/4"	7/16"-20	M10x1	8	24.5	14	14	7/16-20	M10x1	25	8	14	14	0,028
5037-12-05	8	5/16"	1/2"-20	M12x1,5	8	26	17	17	1/2-20	M12x1,5	30	12	17	17	0,032
5037-14-06	10	3/8"	9/16"-18	M14x1,5	12	26.8	19	19	9/16-18	M14x1,5	32	12	19	19	0,042
5037-16-08	12	1/2"	3/4"-16	M16x1,5	12	29.6	22	22	3/4-16	M16x1,5	32.5	12	22	22	0,062
5037-18-08	12	1/2"	3/4"-16	M18x1,5	12	30.6	22	24	3/4-16	M18x1,5	33.5	12	24	22	0,07
5037-18-10	14-16	5/8"	7/8"-14	M18x1,5	12	34.6	27	24	7/8-14	M18x1,5	34	12	24	27	0,125
5037-22-10	14-16	5/8"	7/8"-14	M22x1,5	14	36.1	27	29	7/8-14	M22x1,5	37	14	27	27	0,155
5037-22-12	18-20	3/4"	1.1/16"-12	M22x1,5	14	36.2	32	27	11/16-12	M22x1,5	38	14	27	32	0,16
5037-27-12	18-20	3/4"	1.1/16"-12	M27x2	16	36.7	32	32	11/16-12	M27x2	41	16	32	32	0,175
5037-33-16	25	1"	1.5/16"-12	M33x2	18	41.4	41	41	15/16-12	M33x2	43	18	41	41	0,26
5037-42-20	30-32	1.1/4"	1.5/8"-12	M42x2	20	43.8	50	50	15/8-12	M42x2	50.5	20	50	50	0,485

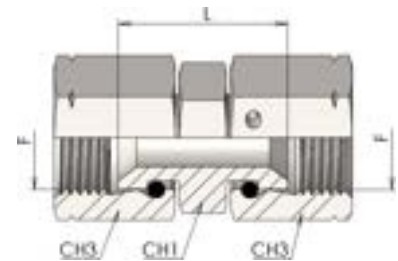
5038



JIC Swivel female - Male Metric (ISO 6149)

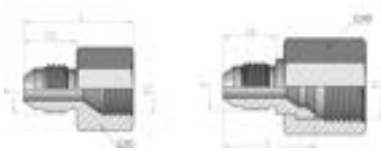
SWS

Product number	W.P.	Ø tube		Thread		Dimension				Weight kg/unit
	bar	mm	inch	F	F1	L	L3	CH1	CH3	
5038-10-04	630	6	1/4"	7/16-20	M10x1	26.5	9.5	14	14	0,025
5038-10-05	630	8	5/16"	1/2-20	M10x1	27.5	9.5	14	17	0,04
5038-12-04	630	6	1/4"	7/16-20	M12x1,5	28	11	17	14	0,03
5038-12-05	630	8	5/16"	1/2-20	M12x1,5	29	11	17	17	0,065
5038-14-06	630	10	3/8"	9/16-18	M14x1,5	31	11	19	19	0,07
5038-16-06	630	10	3/8"	9/16-18	M16x1,5	32.5	12.5	22	19	0,08
5038-16-08	630	12	1/2"	3/4-16	M16x1,5	33	12.5	22	22	0,085
5038-18-08	630	12	1/2"	3/4-16	M18x1,5	35.5	14	24	22	0,095
5038-18-10	630	14-16	5/8"	7/8-14	M18x1,5	36	14	24	27	0,11
5038-22-10	630	14-16	5/8"	7/8-14	M22x1,5	38	15	27	27	0,12
5038-22-12	630	18-20	3/4"	1 1/16-12	M22x1,5	39	15	27	32	0,185
5038-27-12	400	18-20	3/4"	1 1/16-12	M27x2	43.5	18.5	32	32	0,2
5038-27-16	400	25	1"	1 5/16-12	M27x2	45	18.5	32	41	0,23
5038-33-16	400	25	1"	1 5/16-12	M33x2	45.5	18.5	41	41	0,25
5038-42-20	250	30-32	1 1/4"	1 5/8-12	M42x2	49.5	19	50	50	0,5
5038-48-24	250	38	1 1/2"	1 7/8-12	M48x2	54.5	21.5	55	60	0,69

5045**JIC Straight swivel nut union (ISO 8434-2)****SWS**

Product number	W.P.	Ø tube		Thread	Dimension			Weight kg/unit
	bar	mm	inch	F	L	CH1	CH3	
5045-06	350	10	3/8"	9/16-18	26	19	19	0,04
5045-08	310	12	1/2"	3/4-16	29.5	22	22	0,07
5045-10	240	14-16	5/8"	7/8-14	31.5	27	27	0,12
5045-12	240	18-20	3/4"	1 1/16-12	33.5	32	32	0,19
5045-16	210	25	1"	1 5/16-12	38	41	41	0,245

5056



JIC Reducing male-female

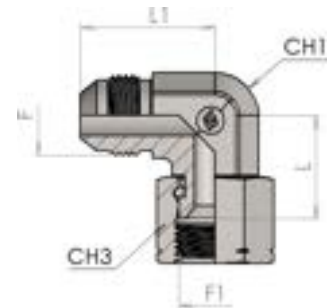
SRDS

Product number	W.P.	Ø tube		Thread		Dimension				Weight
	bar	mm	inch	F	F1	L	L2	CH1	CH3	kg/unit
5056-06-04	350	6	1/4"	7/16-20	9/16-18	24.5	14	19	0,032	
5056-06-05	350	8	5/16"	1/2-20	9/16-18	26	14	19		0,03
5056-08-04	310	6	1/4"	7/16-20	3/4-16	27.5	14		22	0,038
5056-08-05	310	8	5/16"	1/2-20	3/4-16	27.5	14		22	0,035
5056-08-06	310	10	3/8"	9/16-18	3/4-16	27.5	14		22	0,032
5056-10-04	240	6	1/4"	7/16-20	7/8-14	27.5	14		27	0,083
5056-10-06	240	10	3/8"	9/16-18	7/8-14	27.5	14		27	0,078
5056-10-08	240	12	1/2"	3/4-16	7/8-14	37	16.7	27		0,075
5056-12-04	240	6	1/4"	7/16-20	11/16-12	31	14		32	0,12
5056-12-06	240	10	3/8"	9/16-18	11/16-12	31	14		32	0,115
5056-12-08	240	12	1/2"	3/4-16	11/16-12	33.5	16.7		32	0,128
5056-12-10	240	14-16	5/8"	7/8-14	11/16-12	36	19.3	32		0,12
5056-16-10	210	14-16	5/8"	7/8-14	15/16-12	35	19.3		41	0,24
5056-16-12	210	18-20	3/4"	11/16-12	15/16-12	35	22		41	0,25
5056-20-12	170	18-20	3/4"	11/16-12	15/8-12	41	22		50	0,37
5056-20-16	170	25	1"	15/16-12	15/8-12	42	23		50	0,355
5056-24-20	140	30-32	1.1/4"	15/8-12	17/8-12	43	24.5		60	0,615

5060

90° Swivel Elbow (ISO 8434-2)

SWE

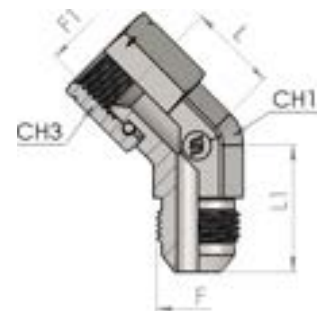


Product number	Ø tube		Dimension									W.P.	Thread			Weight kg/unit
	mm	inch	F	T	C	L	H	E	bar	F	F1		L1	CH1	CH3	
5060-04	6	1/4"	7/16" - 20	7/16" - 20	26	16.7	16	14	350	7/16-20	7/16-20	22	12	14	0,037	
5060-05	8	5/16"	1/2" - 20	1/2" - 20	29	17.4	16	14	350	1/2-20	1/2-20	24	14	17	0,043	
5060-06	10	3/8"	9/16" - 18	9/16" - 18	32	22.3	19	14	350	9/16-18	9/16-18	27	14	19	0,054	
5060-08	12	1/2"	3/4" - 16	3/4" - 16	35	24.4	24	19	310	3/4-16	3/4-16	32	19	22	0,105	
5060-10	16	5/8"	7/8" - 14	7/8" - 14	41	28.4	27	22	240	7/8-14	7/8-14	36	22	27	0,162	
5060-12	20	3/4"	1.1/16" - 12	1.1/16" - 12	44	30.1	32	27	240	1.1/16-12	1.1/16-12	42	27	32	0,26	
5060-16	25	1"	1.5/16" - 12	1.5/16" - 12	50	35.7	38	34	210	1.5/16-12	1.5/16-12	46	33	41	0,42	
5060-20	30-32	1.1/4"	1.5/8" - 12	1.5/8" - 12	59	42.8	50	41	170	1.5/8-12	1.5/8-12	52	41	50	0,679	
5060-24	38	1.1/2"	1.7/8" - 12	1.7/8" - 12	66	47.2	60	48	140	1.7/8-12	1.7/8-12	59	50	60	0,747	

5070

45° Swivel Elbow (ISO 8434-2)

SWE45



Product number	Ø tube		Dimension									W.P.	Thread			Weight kg/unit
	mm	inch	F	T	C	L	H	E	bar	F	F1		L1	CH1	CH3	
5070-04	6	1/4"	7/16" - 20	7/16" - 20	24	15	16	14	350	7/16-20	7/16-20	18.5	12	14	0,03	
5070-05	8	5/16"	1/2" - 20	1/2" - 20	25	16	16	14	350	1/2-20	1/2-20	19.5	14	17	0,045	
5070-06	10	3/8"	9/16" - 18	9/16" - 18	25	19	19	14	350	9/16-18	9/16-18	21	14	19	0,047	
5070-08	12	1/2"	3/4" - 16	3/4" - 16	32	22	24	19	310	3/4-16	3/4-16	25	19	22	0,089	
5070-10	16	5/8"	7/8" - 14	7/8" - 14	34	24	27	22	240	7/8-14	7/8-14	28	22	27	0,131	
5070-12	20	3/4"	1.1/16" - 12	1.1/16" - 12	38	24	32	27	240	1.1/16-12	1.1/16-12	32.5	27	32	0,203	
5070-16	25	1"	1.5/16" - 12	1.5/16" - 12	44	29.5	38	33	210	1.5/16-12	1.5/16-12	37.5	33	41	0,335	
5070-20	30-32	1.1/4"				35.5			170	1.5/8-12	1.5/8-12	40.5	41	50	0,572	

5080

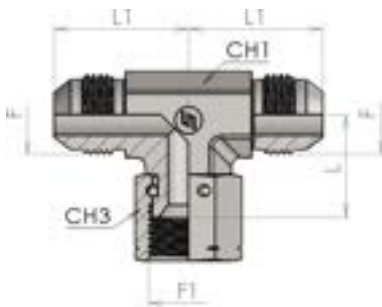


Swivel Run Tee (ISO 8434-2)

SWRT

Product number	Ø tube		Dimension									W.P.	Thread			Weight kg/unit
	mm	inch	F	T	C	L	H	E	bar	F	F1		L1	CH1	CH3	
5080-04	6	1/4"	7/16" - 20	7/16" - 20	25	16.7	15	11	350	7/16-20	7/16-20	22	12	14	0,044	
5080-05	8	5/16"	1/2" - 20	1/2" - 20	27	17.4	17	13	350	1/2-20	1/2-20	24	14	17	0,058	
5080-06	10	3/8"	9/16" - 18	9/16" - 18	32	22.3	19	14	350	9/16-18	9/16-18	27	14	19	0,071	
5080-08	12	1/2"	3/4" - 16	3/4" - 16	35	24.4	24	19	310	3/4-16	3/4-16	32	19	22	0,133	
5080-10	16	5/8"	7/8" - 14	7/8" - 14	41	28.4	27	22	240	7/8-14	7/8-14	36	22	27	0,203	
5080-12	20	3/4"	1.1/16" - 12	1.1/16" - 12	44	30.1	32	27	240	1.1/16-12	1.1/16-12	42	27	32	0,328	
5080-16	25	1"	1.5/16" - 12	1.5/16" - 12	51	35.7	38	33	210	1.5/16-12	1.5/16-12	46	33	41	0,483	
5080-20	30-32	1.1/4"	1.5/8" - 12	1.5/8" - 12	58	42.8	50	41	170	1.5/8-12	1.5/8-12	52	41	50	0,7018	
5080-24	38	1.1/2"				47.2			140	1.7/8-12	1.7/8-12	59	50	60	1,1	

5090



Swivel Branch Tee (ISO 8434-2)

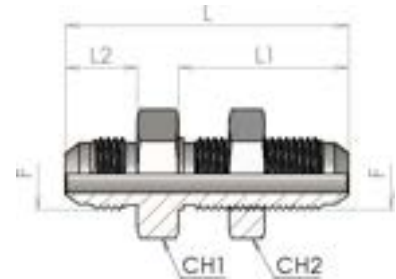
SWBT

Product number	Ø tube		Dimension									W.P.	Thread			Weight kg/unit
	mm	inch	F	T	C	L	H	E	bar	F	F1		L1	CH1	CH3	
5090-04	6	1/4"	7/16" - 20	7/16" - 20	23	16.7	16	11	350	7/16-20	7/16-20	22	12	14	0,044	
5090-05	8	5/16"	1/2" - 20	1/2" - 20	24	17.4	17	14	350	1/2-20	1/2-20	24	14	17	0,058	
5090-06	10	3/8"	9/16" - 18	9/16" - 18	26	22.3	19	14	350	9/16-18	9/16-18	27	14	19	0,071	
5090-08	12	1/2"	3/4" - 16	3/4" - 16	32	24.4	24	19	310	3/4-16	3/4-16	32	19	22	0,133	
5090-10	16	5/8"	7/8" - 14	7/8" - 14	37	28.4	27	22	240	7/8-14	7/8-14	36	22	27	0,203	
5090-12	20	3/4"	1.1/16" - 12	1.1/16" - 12	42	30.1	32	27	240	1.1/16-12	1.1/16-12	42	27	32	0,328	
5090-16	25	1"	1.5/16" - 12	1.5/16" - 12	46	35.7	38	33	210	1.5/16-12	1.5/16-12	46	33	41	0,483	
5090-20	30-32	1.1/4"	1.5/8" - 12	1.5/8" - 12	52	42.8	50	41	170	1.5/8-12	1.5/8-12	52	41	50	0,7018	
5090-24	38	1.1/2"				47.2			140	1.7/8-12	1.7/8-12	59	50	60	1,1	

5110

Bulkhead union (ISO 8434-2)

BHS

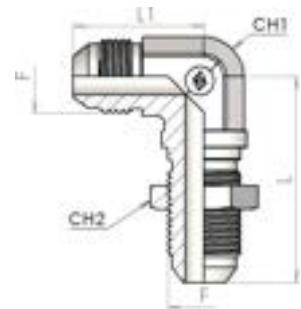


Product number	Ø tube		Dimension										W.P.	Thread	Weight
	mm	inch	F	L	C	B	H	E	bar	F	L1	L2			
5110-04	6	1/4"	7/16" - 20	52.5	14	31	17	17	350	7/16-20	30.5	14	17	17	0,04
5110-05	8	5/16"	1/2" - 20	52.5	14	31	19	19	350	1/2-20	30.5	14	19	19	0,048
5110-06	10	3/8"	9/16" - 18	55.5	14	33	22	22	350	9/16-18	32.5	14	22	22	0,065
5110-08	12	1/2"	3/4" - 16	62	17	37	24	24	310	3/4-16	36.5	17	24	24	0,11
5110-10	16	5/8"	7/8" - 14	69.5	19	41	30	30	240	7/8-14	40	19	30	30	0,155
5110-12	20	3/4"	1.1/16" - 12	78.5	22	45	36	36	240	11/16-12	44.5	22	36	36	0,255
5110-16	25	1"	1.5/16" - 12	80	23	45	41	41	210	15/16-12	44.5	23	41	41	0,335
5110-20	32	1.1/4"	1.5/8" - 12	84	24	47	50	50	170	15/8-12	45.5	14	50	50	0,465
5110-24	38	1.1/2"	1.7/8" - 12	89.5	28	47	55	55	140	17/8-12	46	27.5	55	55	0,7

5130

90° Bulkhead union (ISO 8434-2)

BHE



Product number	Ø tube		Dimension										W.P.	Thread	Weight
	mm	inch	F	C	L	B	H	E	bar	F	L1	CH1			
5130-04	6	1/4"	7/16" - 20	25	40.5	28	17	11	350	7/16-20	24.5	14	17	0,05	
5130-05	8	5/16"	1/2" - 20	27	43.5	28	19	14	350	1/2-20	27	14	19	0,065	
5130-06	10	3/8"	9/16" - 18	28	46	30	22	14	350	9/16-18	27.5	14	22	0,072	
5130-08	12	1/2"	3/4" - 16	35	53.5	35	24	19	310	3/4-16	34	19	24	0,15	
5130-10	16	5/8"	7/8" - 14	40	60	39	30	22	240	7/8-14	39	22	30	0,21	
5130-12	20	3/4"	1.1/16" - 12	45	68	43	36	27	240	11/16-12	45	27	36	0,34	
5130-16	25	1"	1.5/16" - 12	50	71	43	41	33	210	15/16-12	49.5	33	41	0,45	

J107

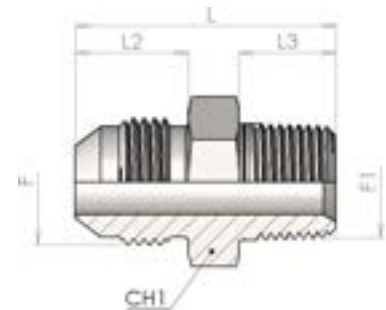


Bulkhead locknut

Product number	Thread	Dimension		Weight
	F	L	CH2	kg/unit
J107-04	7/16-20	7	17	0,008
J107-05	1/2-20	7.5	19	0,007
J107-06	9/16-18	7	22	0,011
J107-08	3/4-16	9	24	0,015
J107-10	7/8-14	10	30	0,031
J107-12	1.1/16-12	12	36	0,054
J107-16	1.5/16-12	12	41	0,057
J107-20	1.5/8-12	13	50	0,087
J107-24	1.7/8-12	13	55	0,088

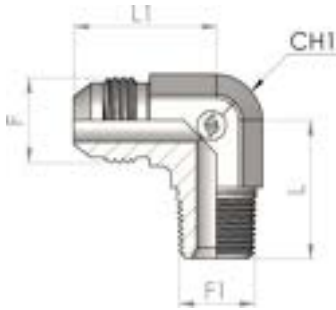
Male stud connector JIC-NPTF

SDS



Product number	Ø tube		Dimension									W.P. Thread			Weight kg/unit
	mm	F	inch	T	C	L	B	E	bar	F	F1	L2	L3	CHI	
1906-02-04	6	7/16" - 20	1/4"	1/8"	14	30	10	12	350	7/16-20	1/8-27 NPTF	14	10	12	0,014
1906-02-05	8	1/2" - 20	5/16"	1/8"	14	31	10	14	350	1/2-20	1/8-27 NPTF	14	10	14	0,017
1906-04-04	6	7/16" - 20	1/4"	1/4"	14	36	14	15	350	7/16-20	1/4-18 NPTF	14	14.5	14	0,025
1906-04-05	8	1/2" - 20	5/16"	1/4"	14	36	14	15	350	1/2-20	1/4-18 NPTF	14	14.5	15	0,025
1906-04-06	10	9/16" - 18	3/8"	1/4"	14	36	14	15	350	9/16-18	1/4-18 NPTF	14	14.5	17	0,027
1906-06-06	10	9/16" - 18	3/8"	3/8"	14	35	14	19	350	9/16-18	3/8-18 NPTF	14	14.5	19	0,03
1906-06-08	12	3/4" - 16	1/2"	3/8"	17	37.5	14	19	310	3/4-16	3/8-18 NPTF	17	14.5	22	0,045
1906-06-10	16	7/8" - 14	5/8"	3/8"	19	43	14	24	240	7/8-14	3/8-18 NPTF	19	14.5	24	0,063
1906-08-06	10	9/16" - 18	3/8"	1/2"	14	41	19	22	350	9/16-18	1/2-14 NPTF	14	19	22	0,047
1906-08-08	12	3/4" - 16	1/2"	1/2"	17	43.5	19	22	310	3/4-16	1/2-14 NPTF	17	19	22	0,074
1906-08-10	16	7/8" - 14	5/8"	1/2"	19	48	19	24	240	7/8-14	1/2-14 NPTF	19	19	24	0,077
1906-08-12	20	1.1/16" - 12	3/4"	1/2"	22	49	19	27	240	1.1/16-12	1/2-14 NPTF	22	19	30	0,1
1906-12-10	16	7/8" - 14	5/8"	3/4"	19	49.5	19	27	240	7/8-14	3/4-14 NPTF	19	19	27	0,12
1906-12-12	20	1.1/16" - 12	3/4"	3/4"	22	52.5	19	27	240	1.1/16-12	3/4-14 NPTF	22	19	27	0,12
1906-12-16	25	1.5/16" - 12	1"	3/4"	23	52	19	34	210	1.5/16-12	3/4-14 NPTF	23	19	36	0,15
1906-16-12	20	1.1/16" - 12	3/4"	1"	22	56	24	36	240	1.1/16-12	1-11.1/2 NPTF	22	24	36	0,175
1906-16-16	25	1.5/16" - 12	1"	1"	23	58.5	24	36	210	1.5/16-12	1-11.1/2 NPTF	23	24	36	0,19
1906-20-20	32	1.5/8" - 12	1.1/4"	1.1/4"	24	60.5	25	46	170	1.5/8-12	1.1/4-1.1/2 NPTF	24	24.6	46	0,315
1906-24-24	38	1.7/8" - 12	1.1/2"	1.1/2"	28	66	25	50	140	1.7/8-12	1.1/2-1.1/2 NPTF	27.5	25.5	50	0,43
1906-32-32	50	2.1/2" - 12	2"	2"	34	77.6	26	65	100	2.1/2-12	2-11/12 NPTF	33.9	26.2	65	0,774

5140



90° Male stud Elbow JIC-NPTF

SDE

Product number	Ø tube		Dimension							W.P.	Thread		Weight
	mm	inch	F	T	C	L	E	bar	F	F1	L1	CH1	kg/unit
5140-02-04	6	1/4"	7/16" - 20	1/8"	25	19.5	14	345	7/16-20	1/8-27 NPTF	22	12	0,023
5140-02-05	8	5/16"	1/2" - 20	1/8"	26	24.5	14	345	1/2-20	1/8-27 NPTF	24	14	0,029
5140-04-04	6	1/4"	7/16" - 20	1/4"	26	27.5	14	345	7/16-20	1/4-18 NPTF	23	14	0,042
5140-04-05	8	5/16"	1/2" - 20	1/4"	26	27.5	14	345	1/2-20	1/4-18 NPTF	24	14	0,042
5140-04-06	10	3/8"	9/16" - 18	1/4"	26	27.5	14	345	9/16-18	1/4-18 NPTF	27	14	0,045
5140-06-06	10	3/8"	9/16" - 18	3/8"	28	31	19	310	9/16-18	3/8-18 NPTF	29.5	19	0,076
5140-06-08	12	1/2"	3/4" - 16	3/8"	32	31	19	310	3/4-16	3/8-18 NPTF	32	19	0,086
5140-06-10	14-16	5/8"	7/8" - 14	3/8"	34	33.5	22	310	7/8-14	3/8-18 NPTF	36	22	0,127
5140-08-06	10	3/8"	9/16" - 18	1/2"	29	36	22	240	9/16-18	1/2-14 NPTF	31.5	22	0,117
5140-08-08	12	1/2"	3/4" - 16	1/2"	34	36	22	240	3/4-16	1/2-14 NPTF	34	22	0,125
5140-08-10	14-16	5/8"	7/8" - 14	1/2"	34	36	22	240	7/8-14	1/2-14 NPTF	36	22	0,129
5140-08-12	18-20	3/4"	1.1/16" - 12	1/2"	40	38	27	240	1.1/16-12	1/2-14 NPTF	42	27	0,204
5140-12-08	12	1/2"	3/4" - 16	3/4"	36	40.5	27	240	3/4-16	3/4-14 NPTF	37	27	0,19
5140-12-10	14-16	5/8"	7/8" - 14	3/4"	39	40.5	27	240	7/8-14	3/4-14 NPTF	39	27	0,192
5140-12-12	18-20	3/4"	1.1/16" - 12	3/4"	40	40.5	27	240	1.1/16-12	3/4-14 NPTF	42	27	0,198
5140-12-16	25	1"	1.5/16" - 12	3/4"	42	45	33	240	1.5/16-12	3/4-14 NPTF	46	33	0,318
5140-16-16	25	1"	1.5/16" - 12	1"	42	50	33	240	1.5/16-12	1-11.1/2 NPTF	46	33	0,328
5140-20-20	30-32	1.1/4"	1.5/8" - 12	1-1/4"	56	60.5	44	210	1.5/8-12	1.1/4-11.1/2 NPTF	52	41	0,549
5140-24-24	38	1.1/2"	1.7/8" - 12	1-1/2"	62	67	50	170	1.7/8-12	1.1/2-11.1/2 NPTF	59	50	0,747

5150

45° Male stud Elbow JIC-NPTF

SDE45



Product number	Ø tube		Dimension							W.P.	Thread		Weight
	mm	inch	F	T	C	L	E	bar	F	F1	L1	CH1	kg/unit
5150-02-04	6	1/4"	7/16" - 20	1/8"	20	16.5	14	345	7/16-20	1/8-27 NPTF	18.5	12	0,02
5150-02-05	8	5/16"	1/2" - 20	1/8"	22	16.5	14	345	1/2-20	1/8-27 NPTF	19.5	14	0,025
5150-04-04	6	1/4"	7/16" - 20	1/4"	21	22	14	345	7/16-20	1/4-18 NPTF	21	14	0,03
5150-04-05	8	5/16"	1/2" - 20	1/4"	20	22	14	345	1/2-20	1/4-18 NPTF	21	14	0,03
5150-04-06	10	3/8"	9/16" - 18	1/4"	22	22	19	345	9/16-18	1/4-18 NPTF	21	14	0,027
5150-06-06	10	3/8"	9/16" - 18	3/8"	22	24	19	310	9/16-18	3/8-18 NPTF	22	19	0,052
5150-06-08	12	1/2"	3/4" - 16	3/8"	27	24	22	310	3/4-16	3/8-18 NPTF	25	19	0,06
5150-06-10	14-16	5/8"	7/8" - 14	3/8"	29	25	22	310	7/8-14	3/8-18 NPTF	28	22	0,095
5150-08-08	12	1/2"	3/4" - 16	1/2"	27	29.5	22	240	3/4-16	1/2-14 NPTF	25	22	0,092
5150-08-10	14-16	5/8"	7/8" - 14	1/2"	32	29.5	27	240	7/8-14	1/2-14 NPTF	28	22	0,092
5150-08-12	18-20	3/4"	1.1/16" - 12	1/2"	35	30.5	27	240	1.1/16-12	1/2-14 NPTF	32.5	27	0,145
5150-12-12	18-20	3/4"	1.1/16" - 12	3/4"	33	30.5	27	240	1.1/16-12	3/4-14 NPTF	32.5	27	0,15
5150-12-16	25	1"	1.5/16" - 12	3/4"	29	32.5	35	240	1.5/16-12	3/4-14 NPTF	37	33	0,215
5150-16-16	25	1"	1.5/16" - 12	1"	37	37.5	35	240	1.5/16-12	1-11.1/2 NPTF	37	33	0,24
5150-20-20	30-32	1.1/4"	1.5/8" - 12	1-1/4"	42	42.5	44	210	1.5/8-12	1.1/4-11.1/2 NPTF	40.5	41	0,385

5160



NPTF Run Tee

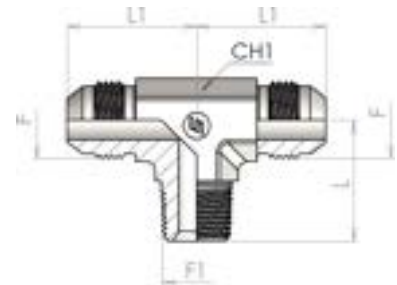
SDRT

Product number	Ø tube		Dimension								W.P.	Thread		Weight
	mm	inch	F	T	C	L	B	E	bar	F	F1	L1	CH1	kg/unit
5160-02-04	6	1/4"	7/16" - 20	1/8"	23	19.5	20	14	345	7/16-20	1/8-27 NPTF	22	12	0,031
5160-02-05	8	5/16"				24.5			345	1/2-20	1/8-27 NPTF	24	14	0,037
5160-04-04	6	1/4"	7/16" - 20	1/4"	26	27.5	26	14	345	7/16-20	1/4-18 NPTF	23	14	0,049
5160-04-06	10	3/8"	9/16" - 18	1/4"	27	27.5	28	14	345	9/16-18	1/4-18 NPTF	27	14	0,057
5160-06-06	10	3/8"				31			345	9/16-18	3/8-18 NPTF	29.5	22	0,077
5160-06-08	12	1/2"	3/4" - 16	3/8"	32	31	31	19	310	3/4-16	3/8-18 NPTF	32	19	0,113
5160-08-08	12	1/2"				36			240	3/4-16	1/2-16 NPTF	34	19	0,164
5160-08-10	14-16	5/8"	7/8" - 14	1/2"	37	36	37	22	240	7/8-14	1/2-14 NPTF	36	22	0,173
5160-12-12	18-20	3/4"	1.1/16" - 12	3/4"	42	40.5	40	27	240	1.1/16-12	3/4-14 NPTF	42	27	0,272
5160-16-16	25	1"	1.5/16" - 12	1"	46	50	45.5	32	240	1.5/16-12	1-11.1/2 NPTF	46	33	0,413
5160-20-20	30-32	1.1/4"				60.5			210	1.5/8-12	1.1/4-11.1/2 NPTF	52	41	0,681
5160-24-24	38	1.1/2"				67			170	1.7/8-12	1.1/2-11.1/2 NPTF	59	50	0,905

5170

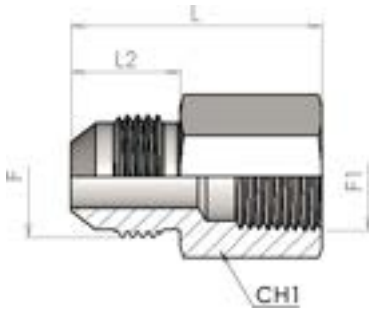
NPT Branch Tee

SDBT



Product number	Ø tube		Dimension								W.P.	Thread		Weight
	mm	inch	F	T	C	L	B	E	bar	F	F1	L1	CH1	kg/unit
5170-02-04	6	1/4"	7/16" - 20	1/8"	20	19.5	23	14	345	7/16-20	1/8-27 NPTF	22	12	0,031
5170-02-05	8	5/16"				24.5			345	1/2-20	1/8-27 NPTF	24	14	0,037
5170-04-04	6	1/4"	7/16" - 20	1/4"	26	27.5	26	14	345	7/16-20	1/4-18 NPTF	23	14	0,049
5170-04-06	10	3/8"	9/16" - 18	1/4"	28	27.5	27	14	345	9/16-18	1/4-18 NPTF	27	14	0,057
5170-06-06	10	3/8"				31			310	9/16-18	3/8-18 NPTF	29.5	19	0,077
5170-06-08	12	1/2"	3/4" - 16	3/8"	31	31	32	19	310	3/4-16	3/8-18 NPTF	32	19	0,113
5170-08-08	12	1/2"				36			240	3/4-16	1/2-14 NPTF	34	22	0,164
5170-08-10	14-16	5/8"	7/8" - 14	1/2"	37	36	37	22	240	7/8-14	1/2-14 NPTF	36	22	0,173
5170-12-12	18-20	3/4"	1.1/16" - 12	3/4"	40	40.5	42	27	240	1.1/16-12	3/4-14 NPTF	42	27	0,272
5170-16-16	25	1"	1.5/16" - 12	1"	50	50	46	35	240	1.5/16-12	1-11.1/2 NPTF	46	33	0,413
5170-20-20	30-32	1.1/4"				60.5			210	1.5/8-12	1.1/4-11.1/2 NPTF	52	41	0,681
5170-24-24	38	1.1/2"				67			170	1.7/8-12	1.1/2-11.1/2 NPTF	59	50	0,905

5180



Male JIC -Female NPTF stud connector

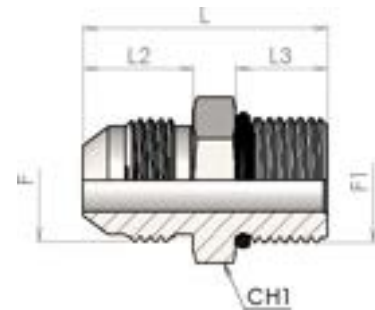
SWS

Product number	Ø tube		Dimension							Thread		Weight
	mm	inch	F	T	C	L	E	F	F1	L2	CH1	kg/unit
5180-02-04	6	1/4"	7/16" - 20	1/8" - 27	14	30	14	7/16-20	1/8-27 NPTF	14	14	0,045
5180-02-05	8	5/16"	1/2" - 20	1/8" - 27	14	30	14	1/2-20	1/8-27 NPTF	14	14	0,04
5180-04-05	8	5/16"				35.5		1/2-20	1/4-18 NPTF	14	19	0,045
5180-04-06	10	3/8"	9/16" - 18	1/4" - 18	14	35.5	19	9/16-18	1/4-18 NPTF	14	19	0,04
5180-06-06	10	3/8"	9/16" - 18	3/8" - 18	14	36.5	22	9/16-18	3/8-18 NPTF	14	22	0,065
5180-06-08	12	1/2"	3/4" - 16	3/8" - 14	17	39.5	22	3/4-16	3/8-18 NPTF	17	22	0,045
5180-08-10	16	5/8"	7/8" - 14	1/2" - 14	19	48	24	7/8-14	1/2-14 NPTF	19.5	30	0,125
5180-12-12	20	3/4"	1.1/16" - 12	3/4" - 14	22	52.5	27	1.1/16-12	3/4-14 NPTF	22	36	0,19
5180-16-16	25	1"	1.5/16" - 12	1" - 11.1/2	23	59.5	36	1.5/16-12	1-11.1/2 NPTF	23	41	0,28
5180-20-20	30-32	1.1/4"				63		1.5/8-12	1.1/4-1.1/2 NPTF	24.5	50	0,41
5180-24-24	38	1.1/2"				66.5		1.7/8-12	1.1/2-11.1/2 NPTF	27.5	60	0,37

1907

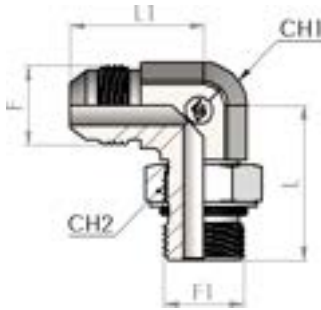
Male stud connector JIC-UNF (ISO 11926)

SDS



Product number	Ø tube		Dimension									W.P.			Thread		Weight
	mm	F	inch	T	C	L	B	E	bar	F	F1	L2	L3	CH1	kg/unit		
1907-04-04	6	7/16" - 20	1/4"	7/16" - 20	14	31	9	14	315	7/16-20	7/16-20	14	9	14	0,015		
1907-04-05	6	7/16" - 20	1/4"	1/2" - 20	14	31	9	16	315	7/16-20	1/2-20	14	9	17	0,025		
1907-04-06	6	7/16" - 20	1/4"	9/16" - 18	14	32.5	10	17	315	7/16-20	9/16-18	14	10	17	0,027		
1907-05-05	8	1/2" - 20	5/16"	1/2" - 20	14	31	9	17	315	1/2-20	1/2-20	14	9	17	0,02		
1907-06-06	10	9/16" - 18	3/8"	9/16" - 18	14	33	10	17	315	9/16-18	9/16-18	14	10	17	0,025		
1907-06-08	10	9/16" - 18	3/8"	3/4" - 14	14	35	11	22	315	9/16-18	3/4-16	14	11	22	0,045		
1907-08-08	12	3/4" - 14	1/2"	3/4" - 14	17	37.5	11	22	315	3/4-16	3/4-16	17	11	22	0,06		
1907-08-10	12	3/4" - 14	1/2"	7/8" - 14	17	40	13	27	250	3/4-16	7/8-14	17	12.5	27	0,075		
1907-08-12	12		1/2"			44.5			250	3/4-16	11/16-12	17	15	32	0,125		
1907-10-08	14-16	7/8" - 14	5/8"	3/4" - 14	19	40	11	24	315	7/8-14	3/4-16	19	11	24	0,065		
1907-10-10	14-16	7/8" - 14	5/8"	7/8" - 14	19	43	13	27	250	7/8-14	7/8-14	19	12.5	27	0,075		
1907-10-12	14-16	7/8" - 14	5/8"	1.1/16" - 12	19	47.5	15	32	250	7/8-14	11/16-12	19	15	32	0,135		
1907-12-08	18-20		3/4"			44.5			315	11/16-12	3/4-16	22	11	27	0,1		
1907-12-10	18-20	1.1/16" - 12	3/4"	7/8" - 14	22	47.5	13	27	250	11/16-12	7/8-14	22	12.5	27	0,11		
1907-12-12	18-20	1.1/16" - 12	3/4"	1.1/16" - 12	22	50	15	32	250	11/16-12	11/16-12	22	15	32	0,135		
1907-12-16	18-20	1.1/16" - 12	3/4"	1.5/16" - 12	22	51	15	38	200	11/16-12	15/16-12	22	15	38	0,2		
1907-16-12	25	1.5/16" - 12	1"	1.1/16" - 12	23	50.5	15	34	250	15/16-12	11/16-12	23	15	36	0,2		
1907-16-16	25	1.5/16" - 12	1"	1.5/16" - 12	23	52	15	38	200	15/16-12	15/16-12	23	15	38	0,205		
1907-20-20	30-32	1.5/8" - 12	1.1/4"	1.5/8" - 12	24	55	15	50	160	15/8-12	15/8-12	24	15	50	0,364		
1907-24-24	38	1.7/8" - 12	1.1/2"	1.7/8" - 12	28	60	15	55	160	17/8-12	17/8-12	27.5	15	55	0,487		

5190



90° Adjustable stud elbow JIC-UNF (ISO 11926)

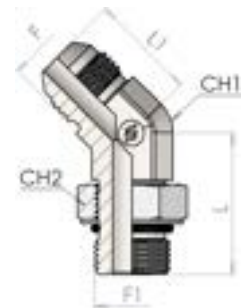
SDE

Product number	Ø tube		Dimension									W.P.	Thread		Weight kg/unit
	mm	inch	F	T	C	L	H	E	bar	F	F1		L1	CH1	
5190-04	6	1/4"	7/16" - 20	7/16" - 20	24	27	14	11	315	7/16-20	7/16-20	22	12	14	0,037
5190-04-05	8	5/16"				28.5			315	1/2-20	7/16-20	24	14	14	0,055
5190-05	8	5/16"	1/2" - 20	1/2" - 20	26	30	17	14	315	1/2-20	1/2-20	24	14	17	0,047
5190-05-06	10	3/8"				31.5			315	9/16-18	1/2-20	27	14	17	0,099
5190-06	10	3/8"	9/16" - 18	9/16" - 18	26	33	17	14	250	9/16-18	9/16-18	27	14	19	0,063
5190-06-08	12	1/2"				35			250	3/4-16	9/16-18	32	19	19	0,13
5190-08	12	1/2"	3/4" - 16	3/4" - 16	31	37	24	19	250	3/4-16	3/4-16	32	19	24	0,16
5190-08-10	16	5/8"				40			250	7/8-14	3/4-16	36	22	24	0,18
5190-10	16	5/8"	7/8" - 14	7/8" - 14	35	43	25	22	200	7/8-14	7/8-14	36	22	27	0,186
5190-10-12	20	3/4"				46.5			200	1.1/16-12	7/8-14	42	27	27	0,297
5190-12	20	3/4"	1.1/16" - 12	1.1/16" - 12	41	50	32	27	200	1.1/16-12	1.1/16-12	42	27	36	0,301
5190-12-16	25	1"				51.5			200	1.5/16-12	1.1/16-12	46	33	36	0,418
5190-16	25	1"	1.5/16" - 12	1.5/16" - 12	47	53	38	35	160	1.5/16-12	1.5/16-12	46	33	41	0,426
5190-16-20	30-32	1.1/4"				55.5			160	1.5/8-12	1.5/16-12	52	41	41	0,65
5190-20	30-32	1.1/4"	1.5/8" - 12	1.5/8" - 12	57	58	48	43	125	1.5/8-12	1.5/8-12	52	41	50	0,674
5190-20-24	38	1.1/2"				60.5			125	1.7/8-12	1.5/8-12	59	50	50	0,92
5190-24	38	1.1/2"				63			125	1.7/8-12	1.7/8-12	59	50	55	0,917

5200

45° Adjustable stud elbow JIC-UNF (ISO 11926)

SDE45

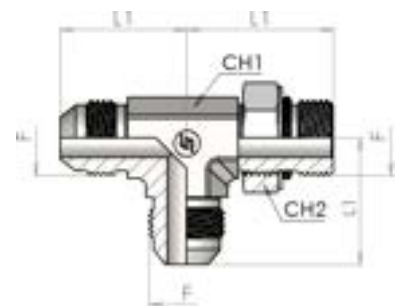


Product number	Ø tube		Dimension									W.P.	Thread			Weight
	mm	inch	F	T	C	L	H	E	bar	F	F1		L1	CH1	CH2	
5200-04	6	1/4"	7/16" - 20	7/16" - 20	19	27	14	11	315	7/16-20	7/16-20	20	12	14	0,034	
5200-05	8	5/16"	1/2" - 20	1/2" - 20	22	28	17	14	315	1/2-20	1/2-20	21	14	17	0,042	
5200-06	10	3/8"	9/16" - 18	9/16" - 18	22	30	17	14	250	9/16-18	9/16-18	21.5	14	19	0,052	
5200-08	12	1/2"	3/4" - 16	3/4" - 16	26	33.5	22	19	250	3/4-16	3/4-16	26	19	24	0,104	
5200-10	16	5/8"	7/8" - 14	7/8" - 14	30	39	25	22	200	7/8-14	7/8-14	29	22	27	0,157	
5200-12	20	3/4"	1.1/16" - 12	1.1/16" - 12	32.5	44	32	27	200	1.1/16-12	1.1/16-12	33	27	36	0,258	
5200-16	25	1"	1.5/16" - 12	1.5/16" - 12	39	47	38	35	160	1.5/16-12	1.5/16-12	37.5	33	41	0,375	
5200-20	30-32	1.1/4"	1.5/8" - 12	1.5/8" - 12	40	48.5	48	43	125	1.5/8-12	1.5/8-12	40.5	41	50	0,57	

5210

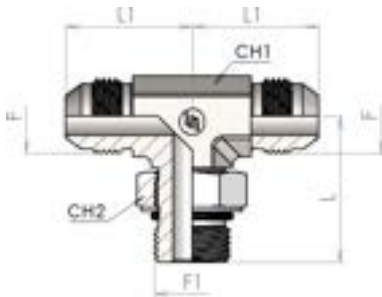
Adjustable stud Run Tee JIC-UNF (ISO 11926)

SDRT



Product number	Ø tube		Dimension									W.P.	Thread			Weight
	mm	inch	F	T	C	L	B	E	bar	F	F1		L1	CH1	CH2	
5210-04	6	1/4"	7/16" - 20	7/16" - 20	10	27	26	11	315	7/16-20	7/16-20	22	12	14	0,046	
5210-05	8	5/16"	1/2" - 20	1/2" - 20	11	30	28	13	315	1/2-20	1/2-20	24	14	17	0,066	
5210-06	10	3/8"	9/16" - 18	9/16" - 18	11	33	32	14	250	9/16-18	9/16-18	27	14	19	0,076	
5210-08	12	1/2"	3/4" - 16	3/4" - 16	13	37	37	19	250	3/4-16	3/4-16	32	19	24	0,15	
5210-10	16	5/8"	7/8" - 14	7/8" - 14	14	43	43	22	200	7/8-14	7/8-14	36	22	27	0,224	
5210-12	20	3/4"	1.1/16" - 12	1.1/16" - 12	17	50	49	27	200	1.1/16-12	1.1/16-12	42	27	36	0,367	
5210-16	25	1"	1.5/16" - 12	1.5/16" - 12	17	53	52	33	160	1.5/16-12	1.5/16-12	46	33	41	0,506	
5210-20	30-32	1.1/4"				58			125	1.5/8-12	1.5/8-12	52	41	50	1,053	
5210-24	38	1.1/2"				63			125	1.7/8-12	1.7/8-12	59	50	55	1,296	

5220



Adjustable stud Branch Tee JIC-UNF (ISO 11926)

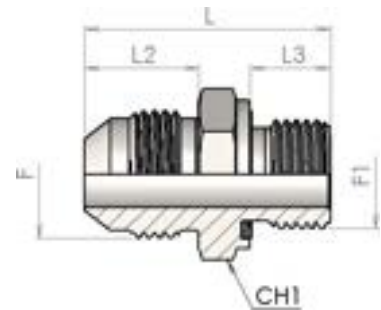
SDBT

Product number	Ø tube		Dimension									W.P.	Thread			Weight kg/unit
	mm	inch	F	T	C	L	H	E	bar	F	F1		L1	CH1	CH2	
5220-04	6	1/4"	7/16" - 20	7/16" - 20	23	27	14	11	315	7/16-20	7/16-20	22	12	14	0,046	
5220-05	8	5/16"	1/2" - 20	1/2" - 20	24	30	16	13	315	1/2-20	1/2-20	24	14	17	0,066	
5220-06	10	3/8"	9/16" - 18	9/16" - 18	27	33	17	14	250	9/16-18	9/16-18	27	14	19	0,076	
5220-08	12	1/2"	3/4" - 16	3/4" - 16	32	37	22	19	250	3/4-16	3/4-16	32	19	22	0,15	
5220-10	16	5/8"	7/8" - 14	7/8" - 14	37	43	27	22	200	7/8-14	7/8-14	36	22	27	0,224	
5220-12	20	3/4"	1.1/16" - 12	1.1/16" - 12	42	50	32	27	200	1.1/16-12	1.1/16-12	42	27	36	0,367	
5220-16	25	1"	1.5/16" - 12	1.5/16" - 12	46	53	38	33	160	1.5/16-12	1.5/16-12	46	33	41	0,506	
5220-20	30-32	1.1/4"				58			125	1.5/8-12	1.5/8-12	52	41	50	1,053	
5220-24	38	1.1/2"				63			125	1.7/8-12	1.7/8-12	59	50	55	1,296	

5805

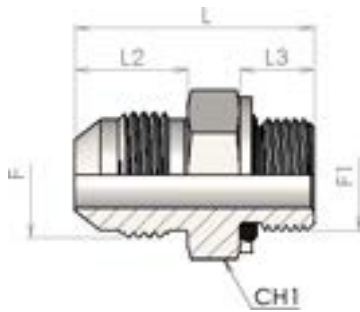
Male stud connector JIC-BSPP (Form E ISO 1179-2)

SDS



Product number	Ø tube		Dimension									W.P.	Thread			Weight
	mm	inch	F	T	L	B	C	E	bar	F	F1	L2	L3	CH1	kg/unit	
5805-02-04	6	1/4"	7/16-20	1/8-28	30	7	14	14	630	7/16-20	G 1/8	14	8	14	0,02	
5805-04-04	6	1/4"	7/16-20	1/4-19	36.5	10	14	19	630	7/16-20	G 1/4	14	12	19	0,034	
5805-04-05	8	5/16"	1/2-20	1/4-19	35	10	14	19	630	1/2-20	G 1/4	14	12	19	0,03	
5805-04-06	10	3/8"	9/16-18	1/4-19	35	10	14	19	630	9/16-18	G 1/4	14	12	19	0,028	
5805-04-08	12	1/2"	3/4-16	1/4-19	39.5	10	17	22	630	3/4-16	G 1/4	17	12	22	0,04	
5805-06-04	6	1/4"	7/16-20	3/8-19	36.5	10	14	22	630	7/16-20	G 3/8	14	12	22	0,047	
5805-06-05	8	5/16"	1/2-20	3/8-19	36.5	10	14	22	630	1/2-20	G 3/8	14	12	22	0,047	
5805-06-06	10	3/8"	9/16-18	3/8-19	36.5	10	14	22	630	9/16-18	G 3/8	14	12	22	0,04	
5805-06-08	12	1/2"	3/4-16	3/8-19	38.5	10	17	27	630	3/4-16	G 3/8	17	12	22	0,05	
5805-06-10	14-16	5/8"	7/8-14	3/8-19	42.5	10	19.5	24	630	7/8-14	G 3/8	19	12	24	0,065	
5805-08-06	10	3/8"	9/16-18	1/2-14	39	12	14	19	400	9/16-18	G 1/2	14	14	27	0,095	
5805-08-08	12	1/2"	3/4-16	1/2-14	43	12	17	19	400	3/4-16	G 1/2	17	14	27	0,1	
5805-08-10	16	5/8"	7/8-14	1/2-14	44.5	12	19.5	27	400	7/8-14	G 1/2	19	14	27	0,103	
5805-08-12	18-20	3/4"	1.1/16-12	1/2-14	49	12	22	32	400	1.1/16-12	G 1/2	22	14	30	0,118	
5805-12-08	12	1/2"	3/4-16	3/4-11	47	14	17	22	400	3/4-16	G 3/4	17	16	32	0,1	
5805-12-10	14-16	5/8"	7/8-14	3/4-11	49.5				400	7/8-14	G 3/4	19	16	32	0,16	
5805-12-12	20	3/4"	1.1/16-12	3/4-11	51	14	22	41	400	1.1/16-12	G 3/4	22	16	32	0,165	
5805-12-16	25	1"	1.5/16-12	3/4-11	53	14	23	32	400	1.5/16-12	G 3/4	23	16	36	0,217	
5805-16-12	18-20	3/4"	1.1/16-12	1-11	55	15.5	22	27	400	1.1/16-12	G 1	22	18	41	0,292	
5805-16-16	25	1"	1.5/16-12	1-11	55	15.5	23	41	400	1.5/16-12	G 1	23	18	41	0,262	
5805-16-20	30-32	1.1/4"			58				400	1.5/8-12	G 1	24	18	46	0,255	
5805-20-16	25	1"	1.5/16-12	1.1/4-11	59.5	17.5	23	50	250	1.5/16-12	G 1.1/4	23	20	50	0,386	
5805-20-20	30-32	1.1/4"	1.5/8-12	1.1/4-11	60	17.5	24.5	50	250	1.5/8-12	G 1.1/4	24	20	50	0,375	
5805-20-24	38	1.1/2"			66				250	1.7/8-12	G 1.1/4	27.5	20	50	0,42	
5805-24-24	38	1.1/2"	1.7/8-12	1.1/2-11	67	19.5	27.5	60	250	1.7/8-12	G 1.1/2	27.5	22	55	0,48	

1915



Male stud connector JIC-BSP (ISO 1179)

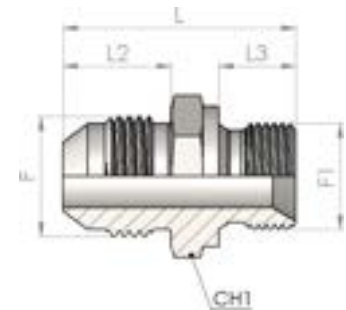
SDS

Product number	Ø tube		Dimension									Weight	W.P.			Thread
	mm	F	inch	T	L	B	C	E	kg/unit	bar	F	F1	L2	L3	CH1	
1915-02-04	6	7/16-20	1/4"	1/8-28	30	8	14	16	0,015	315	7/16-20	G 1/8	14	8	14	
1915-02-05	8	1/2-20	5/16"	1/8-28	29	8	14	16	0,02	315	1/2-20	G 1/8	14	8	14	
1915-04-04	6	7/16-20	1/4"	1/4-19	34.5	12	14	19	0,034	315	7/16-20	G 1/4	14	12	19	
1915-04-05	8	1/2-20	5/16"	1/4-19	34	12	14	19	0,03	315	1/2-20	G 1/4	14	12	19	
1915-04-06	10	9/16-18	3/8"	1/4-19	34	12	14	19	0,028	315	9/16-18	G 1/4	14	12	19	
1915-04-08	12	3/4-16	1/2"	1/4-19	37.5	12	17	22	0,045	315	3/4-16	G 1/4	17	12	22	
1915-06-04	6	7/16-20	1/4"	3/8-19	34.5	12	14	24	0,047	315	7/16-20	G 3/8	14	12	22	
1915-06-05	8	1/2-20	5/16"	3/8-19	34.5	12	14	24	0,047	315	1/2-20	G 3/8	14	12	22	
1915-06-06	10	9/16-18	3/8"	3/8-19	34.5	12	14	24	0,04	315	9/16-18	G 3/8	14	12	22	
1915-06-08	12	3/4-16	1/2"	3/8-19	38	12	17	24	0,05	315	3/4-16	G 3/8	17	12	22	
1915-06-10	14-16	7/8-14	5/8"	3/8-19	40	12	20	24	0,065	315	7/8-14	G 3/8	19	12	24	
1915-08-06	10	9/16-18	3/8"	1/2-14	40	14	14	27	0,02	250	9/16-18	G 1/2	14	14	27	
1915-08-08	12	3/4-16	1/2"	1/2-14	41	14	17	27	0,095	250	3/4-16	G 1/2	17	14	27	
1915-08-10	16	7/8-14	5/8"	1/2-14	44	14	20	27	0,095	250	7/8-14	G 1/2	19	14	27	
1915-08-12	18-20	1.1/16-12	3/4"	1/2-14	47	14	22	27	0,115	250	11/16-12	G 1/2	22	14	30	
1915-12-08	12	3/4-16	1/2"	3/4-11	45	16	17	36	0,1	250	3/4-16	G 3/4	17	16	36	
1915-12-10	14-16	7/8-14	5/8"	3/4-11	47	16	20	36	0,16	250	7/8-14	G 3/4	19	16	36	
1915-12-12	20	1.1/16-12	3/4"	3/4-11	50	16	22	36	0,17	250	11/16-12	G 3/4	22	16	36	
1915-12-16	25	1.5/16-12	1"	3/4-11	51	16	23	36	0,175	250	15/16-12	G 3/4	23	16	36	
1915-16-12	18-20	1.1/16-12	3/4"	1-11	52.5	18	22	41	0,21	250	11/16-12	G 1	22	18	41	
1915-16-16	25	1.5/16-12	1"	1-11	53.5	18	23	41	0,22	250	15/16-12	G 1	23	18	41	
1915-16-20	30-32	1.5/8-12	1.1/4"	1-11	55.5	18	25	42	0,33	250	15/8-12	G 1	24	18	46	
1915-20-16	25	1.5/16-12	1"	1.1/4-11	57	20	23	50	0,385	160	15/16-12	G 1.1/4	23	20	50	
1915-20-20	30-32	1.5/8-12	1.1/4"	1.1/4-11	58	20	25	50	0,33	160	15/8-12	G 1.1/4	24	20	50	
1915-24-24	38	1.7/8-12	1.1/2"	1.1/2-11	65.5	22	28	60	0,48	160	17/8-12	G 1.1/2	27.5	22	55	

1905

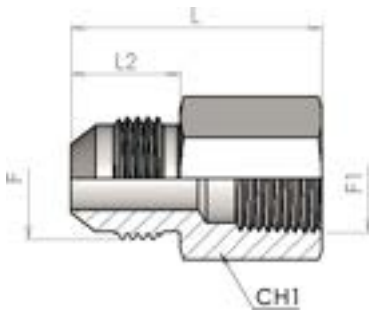
Male stud connector JIC-BSP

SDS



Product number	Ø tube		Dimension									W.P. Thread			Weight
	mm	inch	F	T	C	L	B	E	bar	F	F1	L2	L3	CH1	kg/unit
1905-02-04	6	1/4"	28.5	350	7/16-20	G 1/8-28	14	8	14	0,014					
1905-04-04	6	1/4"	7/16" - 20	1/4"	14	33	12	19	350	7/16-20	G 1/4	14	11	19	0,03
1905-04-05	8	5/16"	1/2" - 20	1/4"	14	33	12	19	350	1/2-20	G 1/4	14	11	19	0,03
1905-04-06	10	3/8"	9/16" - 18	1/4"	14	33	12	19	350	9/16-18	G 1/4	14	11	19	0,03
1905-04-08	12	1/2"				38			310	3/4-16	G 1/4	17	12	22	0,062
1905-06-04	6	1/4"				35.5			350	7/16-20	G 3/8	14	12	22	0,047
1905-06-05	8	5/16"	1/2" - 20	3/8"	14	35.5	12	22	350	1/2-20	G 3/8	14	12	22	0,047
1905-06-06	10	3/8"	9/16" - 18	3/8"	14	35.5	12	22	350	9/16-18	G 3/8	14	12	22	0,047
1905-06-08	12	1/2"	3/4" - 16	3/8"	17	38	12	22	310	3/4-16	G 3/8	17	12	22	0,062
1905-06-10	16	5/8"	7/8" - 14	3/8"	19	42	12	24	240	7/8-14	G 3/8	19	12	24	0,068
1905-08-06	10	3/8"	9/16" - 18	1/2"	14	39	14	27	350	9/16-18	G 1/2	14	14	27	0,068
1905-08-08	12	1/2"	3/4" - 16	1/2"	17	41.5	14	27	310	3/4-16	G 1/2	17	14	27	0,079
1905-08-10	16	5/8"	7/8" - 14	1/2"	19	44.5	14	27	240	7/8-14	G 1/2	19	14	27	0,085
1905-08-12	20	3/4"	1.1/16" - 12	1/2"	22	47	14	27	240	11/16-12	G 1/2	22	14	27	0,12
1905-12-08	12	1/2"				43.5			310	3/4-16	G 3/4	17	16	32	0,145
1905-12-10	16	5/8"	7/8" - 14	3/4"	19	46.5	16	32	240	7/8-14	G 3/4	19	16	32	0,155
1905-12-12	20	3/4"	1.1/16" - 12	3/4"	22	49	16	32	240	11/16-12	G 3/4	22	16	32	0,162
1905-12-16	25	1"	1.5/16" - 12	3/4"	23	52	16	34	210	15/16-12	G 3/4	23	16	36	0,175
1905-16-12	20	3/4"	1.1/16" - 12	1"	22	52	18	41	240	11/16-12	G 1	22	19	41	0,21
1905-16-16	25	1"	1.5/16" - 12	1"	23	54	18	41	210	15/16-12	G 1	23	19	41	0,215
1905-16-20	30	0	1.5/8" - 12	1"	24	57	18	42	170	15/8-12	G 1	24	19	42	0,29
1905-20-20	30	0	1.5/8" - 12	1.1/4"	24	58	20	50	170	15/8-12	G 1.1/4	24	20	50	0,435
1905-24-24	38	1.1/2"	1.7/8" - 12	1.1/2"	28	62.5	22	55	140	17/8-12	G 1.1/2	27.5	22	55	0,61

5185



Male-Female connector JIC-BSP

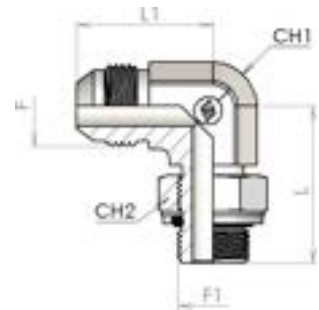
SWS

Product number	Ø tube		Dimension							Thread		Weight
	mm	inch	F	T	C	L	E	F	F1	L2	CH1	kg/unit
5185-02-04	6	1/4"	7/16-20	1/8-28	14	30	19	7/16-20	G 1/8	14	14	0,045
5185-02-05	8	5/16"	1/2-20	1/8-28	14	30	19	1/2-20	G 1/8	14	14	0,04
5185-04-04	6	1/4"	7/16-20	1/4-19	14	35.5	19	7/16-20	G 1/4	14	19	0,045
5185-04-05	8	5/16"	1/2-20	1/4-19	14	35.5	19	1/2-20	G 1/4	14	19	0,045
5185-04-06	10	3/8"	9/16-18	1/4-19	14	35.5	22	9/16-18	G 1/4	14	19	0,04
5185-04-08	12	1/2"	3/4-16	1/4-19	17	38.5	27	3/4-16	G 1/4	17	22	0,04
5185-06-06	10	3/8"	9/16-18	3/8-19	14	36.5	22	9/16-18	G 3/8	14	22	0,065
5185-06-08	12	1/2"	3/4-16	3/8-19	17	39.5	27	3/4-16	G 3/8	17	22	0,045
5185-08-06	10	3/8"	9/16-18	1/2-14	14	43	22	9/16-18	G 1/2	14	30	0,105
5185-08-08	12	1/2"	3/4-16	1/2-14	17	45.5	27	3/4-16	G 1/2	17	30	0,1
5185-08-10	14-16	5/8"	7/8-14	1/2-14	20	48	32	7/8-14	G 1/2	19.5	30	0,125
5185-08-12	18-20	3/4"	1.1/16-12	1/2-14	22	52	32	1.1/16-12	G 1/2	22	30	0,125
5185-12-12	18-20	3/4"	1.1/16-12	3/4-11	22	52.5	32	1.1/16-12	G 3/4	22	36	0,19
5185-16-16	25	1"	1.5/16-12	1-11	23	59.5	41	1.5/16-12	G 1	23	41	0,28
5185-20-20	30-32	1.1/4"				63		1.5/8-12	G 1.1/4	24.5	50	0,41
5185-24-24	38	1.1/2"				66.5		1.7/8-12	G 1.1/2	27.5	60	0,37

5230

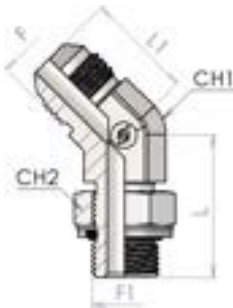
90° Adjustable stud elbow JIC-BSP (ISO 1179)

SDE



Product number	Ø tube		Dimension									W.P.	Thread			Weight kg/unit
	mm	inch	F	T	C	L	H	E	bar	F	F1		L1	CH1	CH2	
5230-02-04	6	1/4"	7/16" - 20	1/8"	23	27	14	11	200	7/16-20	G 1/8	22	12	14	0,037	
5230-02-05	8	5/16"				29			200	1/2-20	G 1/8	24	14	14	0,047	
5230-04-04	6	1/4"	7/16" - 20	1/4"	24	33	19	14	200	7/16-20	G 1/4	23	14	19	0,043	
5230-04-05	8	5/16"	1/2" - 20	1/4"	24	33	19	14	200	1/2-20	G 1/4	24	14	19	0,055	
5230-04-06	10	3/8"	9/16" - 18	1/4"	27	33	19	14	200	9/16-18	G 1/4	27	14	19	0,061	
5230-04-08	12	1/2"				35			200	3/4-16	G 1/4	32	19	19	0,088	
5230-04-10	14-16	5/8"				37			200	7/8-14	G 1/4	36	22	19	0,095	
5230-06-04	6	1/4"				37			200	7/16-20	G 3/8	27	19	22	0,05	
5230-06-05	8	5/16"				37			200	1/2-20	G 3/8	28	19	22	0,057	
5230-06-06	10	3/8"	9/16" - 18	3/8"	29	37	22	19	200	9/16-18	G 3/8	29.5	19	22	0,087	
5230-06-08	12	1/2"	3/4" - 16	3/8"	32	37	22	19	200	3/4-16	G 3/8	32	19	22	0,092	
5230-06-10	14-16	5/8"	7/8" - 14	3/8"	37	40	22	22	200	7/8-14	G 3/8	36	22	22	0,19	
5230-08-04	6	1/4"				43			200	7/16-20	G 1/2	29	22	27	0,127	
5230-08-05	8	5/16"				43			200	1/2-20	G 1/2	30	22	27	0,135	
5230-08-06	10	3/8"				43			200	9/16-18	G 1/2	31.5	22	27	0,14	
5230-08-08	12	1/2"	3/4" - 16	1/2"	34	43	27	22	200	3/4-16	G 1/2	34	22	27	0,155	
5230-08-10	14-16	5/8"	7/8" - 14	1/2"	37	43	27	22	200	7/8-14	G 1/2	36	22	27	0,164	
5230-08-12	18-20	3/4"	1.1/16" - 12	1/2"	42	46.5	27	27	200	1.1/16-12	G 1/2	42	27	27	0,245	
5230-12-08	12	1/2"				50			200	3/4-16	G 3/4	38	27	36	0,205	
5230-12-10	14-16	5/8"	7/8" - 14	3/4"	37	50	36	27	200	7/8-14	G 3/4	39	27	36	0,217	
5230-12-12	18-20	3/4"	1.1/16" - 12	3/4"	42	50	36	27	200	1.1/16-12	G 3/4	42	27	36	0,295	
5230-12-16	25	1"				52			200	1.5/16-12	G 3/4	46	33	36	0,405	
5230-16-12	18-20	3/4"				53			160	1.1/16-12	G 1	44	33	41	0,317	
5230-16-16	25	1"	1.5/16" - 12	1"	46	53	41	33	160	1.5/16-12	G 1	46	33	41	0,425	
5230-16-20	30-32	1.1/4"				57			160	1.5/8-12	G 1	52	41	41	0,65	
5230-20-16	25	1"				58			160	1.5/16-12	G 1.1/4-11	49	41	50	0,672	
5230-20-20	30-32	1.1/4"	1.5/8" - 12	1.1/4"	52	58	50	41	160	1.5/8-12	G 1.1/4-11	52	41	50	0,697	
5230-20-24	38	1.1/2"				63			160	1.7/8-12	G 1.1/4-11	59	50	50	0,964	
5230-24-24	38	1.1/2"	1.7/8" - 12	1.1/2"	59	63	55	48	160	1.7/8-12	G 1.1/2-11	59	50	55	0,953	

5235



45° Adjustable stud elbow JIC-BSP (ISO 1179)

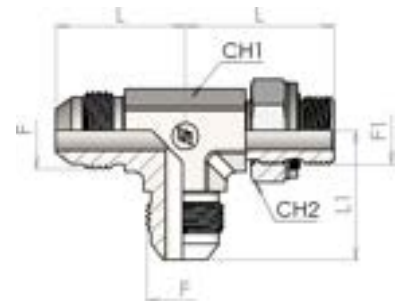
SDE45

Product number	Ø tube		Dimension										W.P.	Thread		Weight kg/unit
	mm	inch	F	T	B	C	H	E	bar	F	F1	L		L1	CH1	
5235-02-04	6	1/4"	7/16-20	1/8-28	19	27	14	12	200	7/16-20	G 1/8	27	21	12	14	0,035
5235-02-05	8	5/16"	1/2-20	1/8-28	20	27	14	14	200	1/2-20	G 1/8	28.5	21.5	14	14	0,044
5235-04-04	6	1/4"	7/16-20	1/4-19	21	29	19	14	200	7/16-20	G 1/4	30	21.5	14	19	0,048
5235-04-05	8	5/16"	1/2-20	1/4-19	21	29	19	14	200	1/2-20	G 1/4	30	21.5	14	19	0,051
5235-04-06	10	3/8"	9/16-18	1/4-19	21	29	19	14	200	9/16-18	G 1/4	30	21.5	14	19	0,055
5235-06-04	6	1/4"	7/16-20	3/8-19	21	33	24	19	200	7/16-20	G 3/8	33.5	23.5	19	22	0,063
5235-06-05	8	5/16"	1/2-20	3/8-19	21	33	24	19	200	1/2-20	G 3/8	33.5	23	19	22	0,066
5235-06-06	10	3/8"	9/16-18	3/8-19	22	33	24	19	200	9/16-18	G 3/8	33.5	22	19	22	0,07
5235-06-08	12	1/2"	3/4-16	3/8-19	25	33	24	19	200	3/4-16	G 3/8	33.5	26	19	22	0,104
5235-08-06	10	3/8"	9/16-18	1/2-14	23	39	27	22	200	9/16-18	G 1/2	39	25.5	22	27	0,092
5235-08-08	12	1/2"	3/4-16	1/2-14	25	39	27	22	200	3/4-16	G 1/2	39	27.5	22	27	0,148
5235-08-10	14-16	5/8"	7/8-14	1/2-14	28	39	27	22	200	7/8-14	G 1/2	39	29	22	27	0,165
5235-08-12	18-20	3/4"	1.1/16-12	1/2-14	33	41	27	27	200	1.1/16-12	G 1/2	41.5	33	27	27	0,182
5235-12-08	12	1/2"	3/4-16	3/4-11	28	44	36	27	200	3/4-16	G 3/4	44	29.5	27	36	0,218
5235-12-10	14-16	5/8"	7/8-14	3/4-11	30	44	36	27	200	7/8-14	G 3/4	44	31	27	36	0,235
5235-12-12	18-20	3/4"	1.1/16-12	3/4-11	33	44	36	27	200	1.1/16-12	G 3/4	44	33	27	36	0,27
5235-12-16	25	1"	1.5/16-12	3/4-11	37	47	36	33	200	1.5/16-12	G 3/4	45.5	37.5	33	36	0,31
5235-16-16	25	1"	1.5/16-12	1-11	37	47	41	33	200	1.5/16-12	G 1	47	37.5	33	41	0,394
5235-20-20	30-32	1.1/4"	1.5/8-12	1.1/4-11	41	49	50	41	160	1.5/8-12	G 1.1/4	48.5	40.5	41	50	0,599

5240

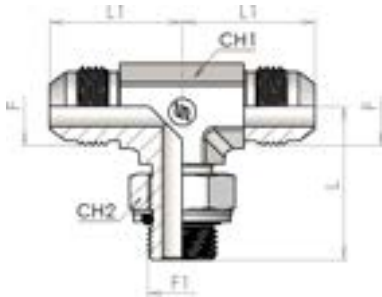
Adjustable stud Run Tee JIC-BSP (ISO 1179)

SDRT



Product number	Ø tube		Dimension									W.P.	Thread		Weight kg/unit
	mm	inch	T	F	C	L	B	E	bar	F	F1		L1	CH1	
5240-02-04	6	1/4"	7/16" - 20	1/8"	6	27	26	11	200	7/16-20	G 1/8	22	12	14	0,047
5240-02-05	8	5/16"				30			200	1/2-20	G 1/8	24	14	14	0,061
5240-04-04	6	1/4"				33			200	7/16-20	G 1/4	23	14	19	0,06
5240-04-05	8	5/16"	1/2" - 20	1/4"	11	33	32	14	200	1/2-20	G 1/4	24	14	19	0,072
5240-04-06	10	3/8"	9/16" - 18	1/4"	11	33	32	14	200	9/16-18	G 1/4	27	14	19	0,078
5240-06-04	8	5/16"				37			200	7/16-20	G 3/8	27	19	22	0,1
5240-06-06	10	3/8"	9/16" - 18	3/8"	11	37	37	19	200	9/16-18	G 3/8	29.5	19	22	0,148
5240-06-08	12	1/2"	3/4" - 16	3/8"	11	37	37	19	200	3/4-16	G 3/8	32	19	22	0,154
5240-06-10	14-16	5/8"				40			200	7/8-14	G 3/8	36	22	22	0,24
5240-08-06	10	3/8"				43			200	9/16-18	G 1/2	31.5	22	27	0,148
5240-08-08	12	1/2"				43			200	3/4-16	G 1/2	34	22	27	0,223
5240-08-10	14-16	5/8"	7/8" - 14	1/2"	13	43	43	22	200	7/8-14	G 1/2	36	22	27	0,231
5240-08-12	18-20	3/4"				46.5			200	1.1/16-12	G 1/2	42	27	27	0,314
5240-12-08	12	1/2"				50			200	3/4-16	G 3/4	37	27	36	0,289
5240-12-10	14-16	5/8"	7/8" - 14	3/4"	13	50	49.3	27	200	7/8-14	G 3/4	39	27	36	0,301
5240-12-12	18-20	3/4"	1.1/16" - 12	3/4"	13	50	50	27	200	1.1/16-12	G 3/4	42	27	36	0,379
5240-12-16	25	1"				51.5			200	1.5/16-12	G 3/4	46	33	36	0,489
5240-16-12	18-20	3/4"				53			160	1.1/16-12	G 1	44	33	41	0,461
5240-16-16	25	1"	1.5/16" - 12	1"	16	53	52	33	160	1.5/16-12	G 1	46	33	41	0,569
5240-20-20	30-32	1.1/4"				58			160	1.5/8-12	G 1.1/4-11	52	41	50	1,075
5240-24-24	38	1.1/2"				63			160	1.7/8-12	G 1.1/2-11	59	50	55	1,3

5250



Adjustable stud Branch Tee JIC-BSP (ISO 1179)

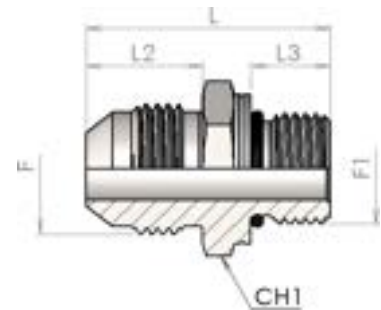
SDBT

Product number	Ø tube		Dimension									W.P.	Thread			Weight kg/unit
	mm	inch	F	T	C	L	H	E	bar	F	F1		L1	CH1	CH2	
5250-02-04	6	1/4"	7/16" - 20	1/8"	23	27	14	11	200	7/16-20	G 1/8	22	12	14	0,047	
5250-02-05	8	5/16"				30			200	1/2-20	G 1/8	24	14	14	0,061	
5250-04-04	6	1/4"				33			200	7/16-20	G 1/4	23	14	19	0,06	
5250-04-05	8	5/16"	1/2" - 20	1/4"	24	33	19	14	200	1/2-20	G 1/4	24	14	19	0,072	
5250-04-06	10	3/8"	9/16" - 18	1/4"	27	33	19	14	200	9/16-18	G 1/4	27	14	19	0,078	
5250-06-04	8	5/16"				37			200	7/16-20	G 3/8	27	19	22	0,1	
5250-06-06	10	3/8"	9/16" - 18	3/8"	27	37	22	19	200	9/16-18	G 3/8	29.5	19	22	0,148	
5250-06-08	12	1/2"	3/4" - 16	3/8"	32	37	22	19	200	3/4-16	G 3/8	32	19	22	0,154	
5250-06-10	14-16	5/8"				40			200	7/8-14	G 3/8	36	22	22	0,24	
5250-08-06	10	3/8"				43			200	9/16-18	G 1/2	31.5	22	27	0,148	
5250-08-08	12	1/2"	3/4" - 16	1/2"	34	43	27	22	200	3/4-16	G 1/2	34	22	27	0,223	
5250-08-10	14-16	5/8"	7/8" - 14	1/2"	37	43	27	22	200	7/8-14	G 1/2	36	22	27	0,231	
5250-08-12	18-20	3/4"				46.5			200	1.1/16-12	G 1/2	42	27	27	0,314	
5250-12-08	12	1/2"				50			200	3/4-16	G 3/4	37	27	36	0,289	
5250-12-10	14-16	5/8"				50			200	7/8-14	G 3/4	39	27	36	0,301	
5250-12-12	18-20	3/4"	1.1/16" - 12	3/4"	42	50	36	27	200	1.1/16-12	G 3/4	42	27	36	0,379	
5250-12-16	25	1"				51.5			200	1.5/16-12	G 3/4	46	33	36	0,489	
5250-16-12	18-20	3/4"				53			160	1.1/16-12	G 1	44	33	41	0,461	
5250-16-16	25	1"	1.5/16" - 12	1"	46	53	41	33	160	1.5/16-12	G 1	46	33	41	0,569	
5250-20-20	30-32	1.1/4"				58			160	1.5/8-12	G 1.1/4-11	52	41	50	1,075	
5250-24-24	38	1.1/2"				63			160	1.7/8-12	G 1.1/2-11	59	50	55	1,3	

1910

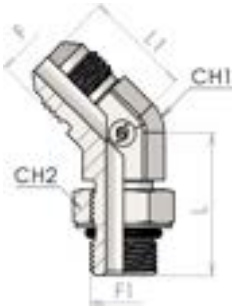
Male stud connector JIC-METRIC (ISO 6149)

SDS



Product number	W.P. bar	Ø tube		Thread		Dimension				Weight kg/unit
		mm	inch	F	F1	L	L2	L3	CH1	
1910-10-04	400	6	1/4"	7/16-20	M10x1	30	14	8.5	14	0,025
1910-10-05	400	8	5/16"	1/2-20	M10x1	30	14	8.5	14	0,03
1910-12-04	400	6	1/4"	7/16-20	M12x1,5	33	14	11	17	0,033
1910-12-05	400	8	5/16"	1/2-20	M12x1,5	32.5	14	11	17	0,037
1910-14-06	400	10	3/8"	9/16-18	M14x1,5	33.5	14	11	19	0,045
1910-16-06	315	10	3/8"	9/16-18	M16x1,5	35	14	11.5	22	0,055
1910-16-08	315	12	1/2"	3/4-16	M16x1,5	38	17	11.5	22	0,058
1910-18-08	315	12	1/2"	3/4-16	M18x1,5	39.5	17	12.5	24	0,075
1910-18-10	315	14-16	5/8"	7/8-14	M18x1,5	42	19	12.5	24	0,075
1910-22-10	315	14-16	5/8"	7/8-14	M22x1,5	43	19	13	27	0,1
1910-22-12	315	18-20	3/4"	1 1/16-12	M22x1,5	48	22	13	27	0,105
1910-27-12	200	18-20	3/4"	1 1/16-12	M27x2	49	22	16	32	0,16
1910-27-16	200	25	1"	1 5/16-12	M27x2	50.5	23	16	36	0,21
1910-33-16	200	25	1"	1 5/16-12	M33x2	51	23	16	41	0,275
1910-42-20	200	30-32	1.1/4"	1 5/8-12	M42x2	54.5	24	16	50	0,435
1910-48-24	200	38	1.1/2"	1 7/8-12	M48x2	59	27.5	17.5	55	0,57

5440



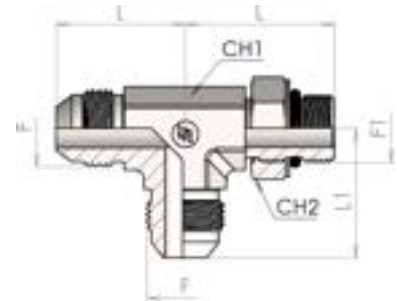
45° Adjustable stud elbow JIC-METRIC (ISO 6149)

SDE45

Product number	W.P. bar	Ø tube		Thread		Dimension				Weight kg/unit
		mm	inch	F	F1	L	L1	CH1	CH2	
5440-10-04	315	6	1/4"	7/16-20	M10x1	27	21	12	14	0,017
5440-12-04	315	6	1/4"	7/16-20	M12x1.5	30	21.5	14	17	0,025
5440-14-06	315	10	3/8"	9/16-18	M14x1.5	32	21.5	14	19	0,031
5440-16-06	250	10	3/8"	9/16-18	M16x1.5	34	23.5	19	22	0,058
5440-16-08	250	12	1/2"	3/4-16	M16x1.5	34	26	19	22	0,065
5440-18-08	250	12	1/2"	3/4-16	M18x1.5	36	26	19	24	0,066
5440-22-10	250	16	5/8"	7/8-14	M22x1.5	38	29	22	27	0,099
5440-27-12	160	20	3/4"	1.1/16-12	M27x2	45	33	27	32	0,173
5440-33-16	160	25	1"	1.5/16-12	M33x2	48	37.5	33	41	0,287
5440-42-20	160	30	1.1/4"	1.5/8-12	M42x2	48.5	40.5	41	50	0,482

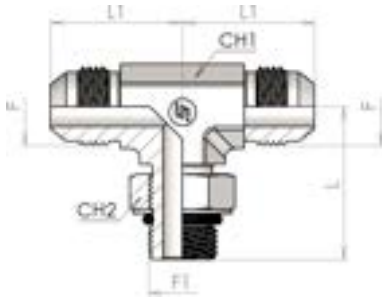
5450

Adjustable stud Run Tee JIC-METRIC (ISO 6149)

SDRT

Product number	W.P. bar	Ø tube		Thread		Dimension				Weight kg/unit
		mm	inch	F	F1	L	L1	CH1	CH2	
5450-10-04	315	6	1/4"	7/16-20	M10x1	29	22	12	14	0,027
5450-12-04	315	6	1/4"	7/16-20	M12x1.5	33	23	14	17	0,041
5450-14-06	315	10	3/8"	9/16-18	M14x1.5	34	27	14	19	0,053
5450-16-06	250	10	3/8"	9/16-18	M16x1.5	38	29.5	19	22	0,092
5450-16-08	250	12	1/2"	3/4-16	M16x1.5	38	32	19	22	0,095
5450-18-08	250	12	1/2"	3/4-16	M18x1.5	41	32	19	24	0,114
5450-22-10	250	16	5/8"	7/8-14	M22x1.5	43	36	22	27	0,175
5450-27-12	160	20	3/4"	1.1/16-12	M27x2	52	42	27	32	0,304
5450-33-16	160	25	1"	1.5/16-12	M33x2	54	46	33	41	0,491
5450-42-20	160	30	1.1/4"	1.5/8-12	M42x2	60	52	41	50	0,772
5450-48-24	160	38	1.1/2"	1.7/8-12	M48x2	67	59	50	55	1,069

5455



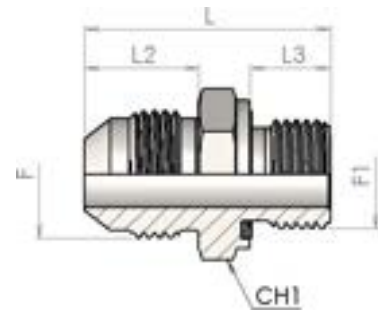
Adjustable stud Branch Tee JIC-METRIC (ISO 6149)

SDBT

Product number	W.P.	Ø tube		Thread		Dimension				Weight
	bar	mm	inch	F	F1	L	L1	CH1	CH2	kg/unit
5455-10-04	315	6	1/4"	7/16-20	M10x1	29	22	12	14	0,027
5455-12-04	315	6	1/4"	7/16-20	M12x1.5	33	23	14	17	0,041
5455-14-06	315	10	3/8"	9/16-18	M14x1.5	34	27	14	19	0,053
5455-16-06	250	10	3/8"	9/16-18	M16x1.5	38	29.5	19	22	0,092
5455-16-08	250	12	1/2"	3/4-16	M16x1.5	38	32	19	22	0,095
5455-18-08	250	12	1/2"	3/4-16	M18x1.5	41	32	19	24	0,114
5455-22-10	250	16	5/8"	7/8-14	M22x1.5	43	36	22	27	0,175
5455-27-12	160	20	3/4"	1.1/16-12	M27x2	52	42	27	32	0,304
5455-33-16	160	25	1"	1.5/16-12	M33x2	54	46	33	41	0,491
5455-42-20	160	30	1.1/4"	1.5/8-12	M42x2	60	52	41	50	0,772
5455-48-24	160	38	1.1/2"	1.7/8-12	M48x2	67	59	50	55	1,069

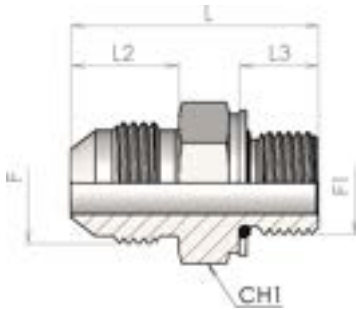
1775

Male stud connector JIC-METRIC (Form E ISO 9974-2)

SDS

Product number	W.P. bar	Ø tube		Thread		Dimension				Weight kg/unit
		mm	inch	F	F1	L	L2	L3	CH1	
1775-10-04	630	6	1/4"	7/16-20	M10x1	30	14	8	14	0,02
1775-10-05	630	8	5/16"	1/2-20	M10x1	30	14	8	14	0,017
1775-12-04	630	6	1/4"	7/16-20	M12x1,5	34	14	12	17	0,03
1775-12-05	630	8	5/16"	1/2-20	M12x1,5	34	14	12	17	0,028
1775-14-06	630	10	3/8"	9/16-18	M14x1,5	34	14	12	19	0,037
1775-16-06	630	10	3/8"	9/16-18	M16x1,5	36	14	12	22	0,05
1775-16-08	630	12	1/2"	3/4-16	M16x1,5	39	17	12	22	0,055
1775-18-08	630	12	1/2"	3/4-16	M18x1,5	39	17	12	24	0,07
1775-18-10	630	14-16	5/8"	7/8-14	M18x1,5	42	19	12	24	0,105
1775-22-10	400	14-16	5/8"	7/8-14	M22x1,5	45	19	14	27	0,16
1775-22-12	400	18-20	3/4"	1 1/16-12	M22x1,5	48	22	14	27	0,27
1775-27-12	400	18-20	3/4"	1 1/16-12	M27x2	51	22	16	32	0,43
1775-27-16	400	25	1"	1 5/16-12	M27x2	53	23	16	36	0,36
1775-33-16	400	25	1"	1 5/16-12	M33x2	55	23	18	41	0,43
1775-42-20	250	30-32	1 1/4"	1 5/8-12	M42x2	60	24	20	50	0,435
1775-48-24	250	38	1 1/2"	1 7/8-12	M48x2	67	27,5	22	55	0,58

1777



Male stud connector JIC-METRIC with O-ring and retaining ring

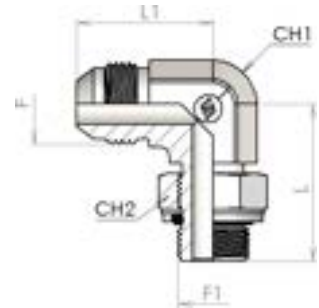
SDS

Product number	W.P. bar	Ø tube		Thread		Dimension				Weight kg/unit
		mm	inch	F	F1	L	L2	L3	CHI	
1777-10-04	315	6	1/4"	7/16-20	M10x1	30	14	9	14	0,025
1777-10-05	315	8	5/16"	1/2-20	M10x1	30	14	9	14	0,025
1777-12-04	315	6	1/4"	7/16-20	M12x1,5	32.5	14	11.5	17	0,035
1777-12-05	315	8	5/16"	1/2-20	M12x1,5	32.5	14	11.5	17	0,035
1777-14-06	315	10	3/8"	9/16-18	M14x1,5	33.5	14	11.5	19	0,035
1777-16-06	315	10	3/8"	9/16-18	M16x1,5	34.5	14	12.5	22	0,05
1777-16-08	315	12	1/2"	3/4-16	M16x1,5	37.5	17	12.5	22	0,055
1777-18-08	315	12	1/2"	3/4-16	M18x1,5	39.5	17	13.5	24	0,065
1777-18-10	315	14-16	5/8"	7/8-14	M18x1,5	42	19	13.5	24	0,07
1777-22-10	300	14-16	5/8"	7/8-14	M22x1,5	44.5	19	15	27	0,09
1777-22-12	300	18-20	3/4"	1 1/16-12	M22x1,5	48	22	15	27	0,1
1777-27-12	250	18-20	3/4"	1 1/16-12	M27x2	52.5	22	18.5	32	0,155
1777-27-16	250	25	1"	1 5/16-12	M27x2	53.5	23	18.5	36	0,2
1777-33-16	250	25	1"	1 5/16-12	M33x2	54	23	18.5	41	0,265
1777-42-20	160	30-32	1.1/4"	1 5/8-12	M42x2	58	24	19.5	50	0,425
1777-48-24	160	38	1.1/2"	1 7/8-12	M48x2	65	27.5	21.5	55	0,545

5400

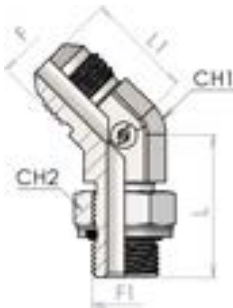
90° Adjustable stud elbow JIC-METRIC with O-ring and retaining ring

SDE



Product number	Ø tube		Dimension										W.P.	Thread		Weight kg/unit
	mm	inch	F	T	B	C	H	E	bar	F	F1	L		L1	CH1	
5400-10-04	6	1/4"	7/16-20	M10x1	23	27	12	14	315	7/16-20	M10x1	29	22	12	14	0,023
5400-10-05	8	5/16"	1/2-20	M10x1	24	27	14	14	315	1/2-20	M10x1	31	24	14	14	0,029
5400-12-04	6	1/4"	7/16-20	M12x1,5	27	32	14	17	315	7/16-20	M12x1,5	33	23	14	17	0,028
5400-12-05	8	5/16"	1/2-20	M12x1,5	27	32	14	17	315	1/2-20	M12x1,5	33	24	14	17	0,029
5400-14-04	6	1/4"							315	7/16-20	M14x1,5	34	23	14	19	0,025
5400-14-05	8	5/16"							315	1/2-20	M14x1,5	34	24	14	19	0,03
5400-14-06	10	3/8"	9/16-18	M14x1,5	27	32	14	19	315	9/16-18	M14x1,5	34	27	14	19	0,036
5400-16-06	10	3/8"	9/16-18	M16x1,5	29	38	19	22	250	9/16-18	M16x1,5	38	29,5	19	22	0,074
5400-16-08	12	1/2"	3/4-16	M16x1,5	32	38	19	22	250	3/4-16	M16x1,5	38	32	19	22	0,077
5400-18-08	12	1/2"	3/4-16	M18x1,5	32	40	19	24	250	3/4-16	M18x1,5	41	32	19	24	0,078
5400-18-10	16	5/8"	7/8-14	M18x1,5	37	41	22	24	250	7/8-14	M18x1,5	42	36	22	24	0,104
5400-22-10	16	5/8"	7/8-14	M22x1,5	37	43	22	27	250	7/8-14	M22x1,5	43	36	22	27	0,119
5400-22-12	20	3/4"	1.1/16-12	M22x1,5	42	45	27	27	250	1.1/16-12	M22x1,5	47,5	42	27	27	0,198
5400-27-12	20	3/4"	1.1/16-12	M27x2	42	52	27	36	160	1.1/16-12	M27x2	52	42	27	32	0,208
5400-27-16	25	1"	1.5/16-12	M27x2	46	52	33	36	160	1.5/16-12	M27x2	53	46	33	32	0,333
5400-33-12	20	3/4"							160	1.1/16-12	M33x2	54	44	33	41	0,317
5400-33-16	25	1"	1.5/16-12	M33x2	46	53	33	41	160	1.5/16-12	M33x2	54	46	33	41	0,333
5400-42-12	20	3/4"							160	1.1/16-12	M42x2	60	48	41	50	0,517
5400-42-16	25	1"							160	1.5/16-12	M42x2	60	46	41	50	0,546
5400-42-20	30	1.1/4"	1.5/8-12	M42x2	52	58	41	50	160	1.5/8-12	M42x2	60	52	41	50	0,575
5400-48-20	30	1.1/4"							160	1.5/8-12	M48x2	67	55,5	50	55	0,725
5400-48-24	38	1.1/2"	1.7/8-12	M48x2	59	67	48	60	160	1.7/8-12	M48x2	67	59	50	55	0,872

5410



45° Adjustable stud elbow JIC-Metric with O'ring and retaining ring

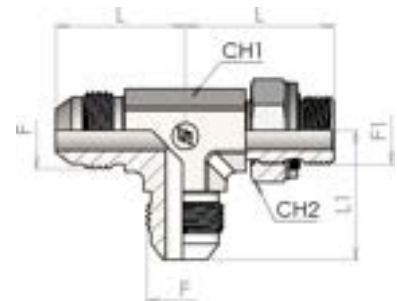
SDE45

Product number	Ø tube		Dimension										W.P.	Thread		Weight kg/unit
	mm	inch	F	T	B	C	H	E	bar	F	F1	L		L1	CH1	
5410-10-04	6	1/4"	7/16-20	M10x1	19	27	12	14	315	7/16-20	M10x1	27	21	12	14	0,023
5410-10-05	8	5/16"	1/2-20	M10x1	20	27	14	14	315	1/2-20	M10x1	28.5	21.5	14	14	0,031
5410-12-04	6	1/4"	7/16-20	M12x1,5	21	29	14	17	315	7/16-20	M12x1,5	30	21.5	14	17	0,025
5410-12-05	8	5/16"	1/2-20	M12x1,5	21	29	14	19	315	1/2-20	M12x1,5	30	21.5	14	17	0,028
5410-14-05	8	5/16"							315	1/2-20	M14x1,5	32	21.5	14	19	0,031
5410-14-06	10	3/8"	9/16-18	M14x1,5	21	29	14	17	315	9/16-18	M14x1,5	32	21.5	14	19	0,036
5410-16-06	10	3/8"	9/16-18	M16x1,5	22	33	19	22	250	9/16-18	M16x1,5	34	23.5	19	22	0,058
5410-16-08	12	1/2"	3/4-16	M16x1,5	25	33	19	22	250	3/4-16	M16x1,5	34	26	19	22	0,068
5410-18-08	12	1/2"	3/4-16	M18x1,5	25	33	19	24	250	3/4-16	M18x1,5	36	26	19	24	0,078
5410-18-10	16	5/8"	7/8-14	M18x1,5	28	35	22	24	250	7/8-14	M18x1,5	37	29	22	24	0,099
5410-22-10	16	5/8"	7/8-14	M22x1,5	28	38	22	27	250	7/8-14	M22x1,5	38	29	22	27	0,119
5410-22-12	20	3/4"	1.1/16-12	M22x1,5	33	41	27	27	250	1.1/16-12	M22x1,5	41.5	33	27	27	0,164
5410-27-12	20	3/4"	1.1/16-12	M27x2	33	44	27	36	160	1.1/16-12	M27x2	45	33	27	32	0,208
5410-27-16	25	1"	1.5/16-12	M27x2	37	46	33	36	160	1.5/16-12	M27x2	46.5	37.5	33	32	0,272
5410-33-16	25	1"	1.5/16-12	M33x2	37	47	33	41	160	1.5/16-12	M33x2	48	37.5	33	41	0,287
5410-42-20	30	1.1/4"	1.5/8-12	M42x2	41	49	41	50	160	1.5/8-12	M42x2	48,5	40,5	41	50	0,575

5420

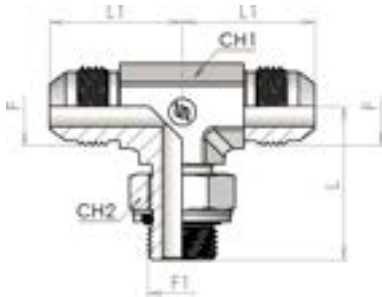
Adjustable stud Run Tee JIC-METRIC with O-ring and retaining ring

SDRT



Product number	Ø tube		Dimension										W.P.	Thread		Weight kg/unit
	mm	inch	F	T	B	C	H	E	bar	F	F1	L		L1	CH1	
5420-10-04	6	1/4"	7/16-20	M10x1	23	27	12	14	315	7/16-20	M10x1	29	22	12	14	0,027
5420-10-05	8	5/16"	1/2-20	M10x1	24	27	14	14	315	1/2-20	M10x1	31	24	14	14	0,033
5420-12-04	6	1/4"	7/16-20	M12x1,5	27	32	14	17	315	7/16-20	M12x1,5	33	23	14	17	0,041
5420-12-05	8	5/16"	1/2-20	M12x1,5	27	32	14	19	315	1/2-20	M12x1,5	33	24	14	17	0,042
5420-14-05	8	5/16"							315	1/2-20	M14x1,5	34	24	14	19	0,050
5420-14-06	10	3/8"	9/16-18	M14x1,5	27	32	14	17	315	9/16-18	M14x1,5	34	27	14	19	0,053
5420-16-06	10	3/8"	9/16-18	M16x1,5	29	38	19	22	250	9/16-18	M16x1,5	38	29,5	19	22	0,092
5420-16-08	12	1/2"	3/4-16	M16x1,5	32	38	19	22	250	3/4-16	M16x1,5	38	32	19	22	0,113
5420-18-08	12	1/2"	3/4-16	M18x1,5	32	40	19	24	250	3/4-16	M18x1,5	41	32	19	24	0,114
5420-18-10	16	5/8"	7/8-14	M18x1,5	37	41	22	24	250	7/8-14	M18x1,5	42	36	22	24	0,174
5420-22-10	16	5/8"	7/8-14	M22x1,5	37	43	22	27	250	7/8-14	M22x1,5	43	36	22	27	0,175
5420-22-12	20	3/4"	1.1/16-12	M22x1,5	42	45	27	27	250	1.1/16-12	M22x1,5	47,5	42	27	27	0,295
5420-27-12	20	3/4"	1.1/16-12	M27x2	42	52	27	36	160	1.1/16-12	M27x2	52	42	27	32	0,304
5420-27-16	25	1"	1.5/16-12	M27x2	46	52	33	36	160	1.5/16-12	M27x2	53	46	33	32	0,490
5420-33-16	25	1"	1.5/16-12	M33x2	46	53	33	41	160	1.5/16-12	M33x2	54	46	33	41	0,530
5420-42-20	30	1.1/4"	1.5/8-12	M42x2	52	58	41	50	160	1.5/8-12	M42x2	60	52	41	50	0,772
5420-48-24	38	1.1/2"	1.7/8-12	M48x2	59	67	48	60	160	1.7/8-12	M48x2	67	59	50	55	1,069

5425



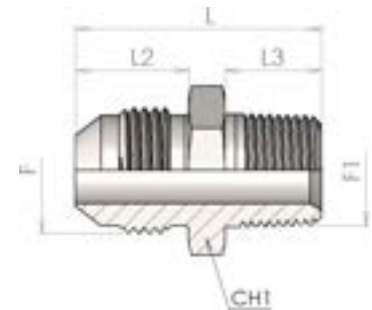
Adjustable stud Branch Tee JIC-METRIC with O-ring and retaining ring

SDBT

Product number	Ø tube		Dimension									W.P.	Thread		Weight kg/unit	
	mm	inch	F	T	B	C	H	E	bar	F	F1		L	L1		CH1
5425-10-04	6	1/4"	7/16-20	M10x1	23	27	12	14	315	7/16-20	M10x1	29	22	12	14	0,027
5425-10-05	8	5/16"	1/2-20	M10x1	24	27	14	14	315	1/2-20	M10x1	31	24	14	14	0,033
5425-12-04	6	1/4"	7/16-20	M12x1,5	27	32	14	17	315	7/16-20	M12x1,5	33	23	14	17	0,041
5425-12-05	8	5/16"	1/2-20	M12x1,5	27	32	14	19	315	1/2-20	M12x1,5	33	24	14	17	0,042
5425-14-05	8	5/16"							315	1/2-20	M14x1,5	34	24	14	19	0,050
5425-14-06	10	3/8"	9/16-18	M14x1,5	27	32	14	17	315	9/16-18	M14x1,5	34	27	14	19	0,053
5425-16-06	10	3/8"	9/16-18	M16x1,5	29	38	19	22	250	9/16-18	M16x1,5	38	29,5	19	22	0,092
5425-16-08	12	1/2"	3/4-16	M16x1,5	32	38	19	22	250	3/4-16	M16x1,5	38	32	19	22	0,095
5425-18-08	12	1/2"	3/4-16	M18x1,5	32	40	19	24	250	3/4-16	M18x1,5	41	32	19	24	0,114
5425-18-10	16	5/8"	7/8-14	M18x1,5	37	41	22	24	250	7/8-14	M18x1,5	42	36	22	24	0,174
5425-22-10	16	5/8"	7/8-14	M22x1,5	37	43	22	27	250	7/8-14	M22x1,5	43	36	22	27	0,175
5425-22-12	20	3/4"	1.1/16-12	M22x1,5	42	45	27	27	250	1.1/16-12	M22x1,5	47,5	42	27	27	0,295
5425-27-12	20	3/4"	1.1/16-12	M27x2	42	52	27	36	160	1.1/16-12	M27x2	52	42	27	32	0,304
5425-27-16	25	1"	1.5/16-12	M27x2	46	52	33	36	160	1.5/16-12	M27x2	53	46	33	32	0,490
5425-33-16	25	1"	1.5/16-12	M33x2	46	53	33	41	160	1.5/16-12	M33x2	54	46	33	41	0,530
5425-42-20	30	1.1/4"	1.5/8-12	M42x2	52	58	41	50	160	1.5/8-12	M42x2	60	52	41	50	0,772
5425-48-24	38	1.1/2"	1.7/8-12	M48x2	59	67	48	60	160	1.7/8-12	M48x2	67	59	50	55	1,069

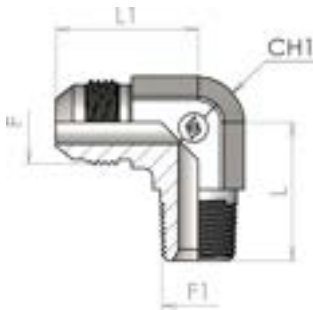
1903

Male Connector Jic/BSPT



Product number	Ø tube		Dimension									W.P.	Thread			Weight kg/unit
	mm	inch	F	T	C	L	B	E	bar	F	F1		L2	L3	CH1	
1903-02-04	6	1/4"	7/16" - 20	1/8"	14	30	8	12	350	7/16-20	1/8-28 BSPT	14	10	12	0,014	
1903-02-05	8	5/16"				31			350	1/2-20	1/8-28 BSPT	14	10	14	0,017	
1903-04-04	6	1/4"	7/16" - 20	1/4"	14	36	12	14	350	7/16-20	1/4-19 BSPT	14	14.5	14	0,025	
1903-04-05	8	5/16"	1/2" - 20	1/4"	14	36	12	14	350	1/2-20	1/4-19 BSPT	14	14.5	14	0,025	
1903-04-06	10	3/8"	9/16" - 18	1/4"	14	36	12	17	350	9/16-18	1/4-19 BSPT	14	14.5	17	0,030	
1903-06-06	10	3/8"	9/16" - 18	3/8"	14	36	12	19	350	9/16-18	3/8-19 BSPT	14	14.5	19	0,027	
1903-06-08	12	1/2"	3/4" - 16	3/8"	17	37.5	12	19	310	3/4-16	3/8-19 BSPT	17	14.5	22	0,045	
1903-06-10	14-16	5/8"	7/8" - 14	3/8"	19.5	43	12	24	240	7/8-14	3/8-19 BSPT	19	14.5	24	0,063	
1903-08-08	12	1/2"	3/4" - 16	1/2"	17	43.5	14	22	310	3/4-16	1/2-14 BSPT	17	19	22	0,074	
1903-08-10	14-16	5/8"	7/8" - 14	1/2"	19.5	48	14	24	240	7/8-14	1/2-14 BSPT	19	19	24	0,077	
1903-08-12	20	3/4"	1.1/16" - 12	1/2"	22	49	14	27	240	1.1/16-12	1/2-14 BSPT	22	19	30	0,100	
1903-12-10	14-16	5/8"				49.5			240	7/8-14	3/4-14 BSPT	19	19	27	0,120	
1903-12-12	20	3/4"	1.1/16" - 12	3/4"	22	52.5	16	37	240	1.1/16-12	3/4-14 BSPT	22	19	30	0,120	
1903-12-16	25	1"	1.5/16" - 12	3/4"	23	53	16	36	210	1.5/16-12	3/4-14 BSPT	23	19	36	0,150	
1903-16-12	20	3/4"	1.1/16" - 12	1"	22	56	18	36	240	1.1/16-12	1-11 BSPT	22	24	36	0,175	
1903-16-16	25	1"	1.5/16" - 12	1"	23	58.5	18	36	210	1.5/16-12	1-11 BSPT	23	24	36	0,190	
1903-20-20	32	1.1/4"	1.5/8" - 12	1.1/4"	24.3	60.5	20	46	170	1.5/8-12	1.1/4-11 BSPT	24	24.5	46	0,315	
1903-24-24	38	1.1/2"	1.7/8" - 12	1.1/2"	27.5	66	22	50	140	1.7/8-12	1.1/2-11 BSPT	27.5	25.5	50	0,430	

5165



90° Male stud elbows JIC-BSPT

SDE

Product number	Ø tube		Dimensions			Dimension					W.P.	Thread		Weight
	mm	inch	F	T	L	C	E	bar	F	F1	L	L1	CH1	kg/unit
5165-02-04	6	1/4"	345	7/16-20	1/8-28 BSPT	23	24	14	0,02					
5165-02-05	8	5/16"	345	1/2-20	1/8-28 BSPT	23.5	24	14	0,029					
5165-04-04	6	1/4"	7/16"-20	1/4-19	28	27	14	310	7/16-20	1/4-19 BSPT	27.5	23	14	0,042
5165-04-05	8	5/16"						310	1/2-20	1/4-19 BSPT	27.5	24	14	0,042
5165-04-06	10	3/8"	9/16"-18	1/4-19	28	27	14	310	9/16-18	1/4-19 BSPT	27.5	27	14	0,045
5165-06-06	10	3/8"	9/16"-18	3/8-19	31	29	19	310	9/16-18	3/8-19 BSPT	32	29	19	0,076
5165-06-08	12	1/2"	3/4"-16	3/8-19	31	32	19	310	3/4-16	3/8-19 BSPT	32	31	19	0,086
5165-08-06	10	3/8"						240	9/16-18	1/2-14 BSPT	36	31.5	22	0,117
5165-08-08	12	1/2"	3/4"-16	1/2-14	37	34	22	240	3/4-16	1/2-14 BSPT	36	33.5	22	0,125
5165-08-10	14-16	5/8"						240	7/8-14	1/2-14 BSPT	36	36	22	0,129
5165-12-12	18-20	3/4"						240	1.1/16-12	3/4-14 BSPT	42.5	42	27	0,198
5165-16-16	25	1"	1.5/16"-12	1-11	50	46	33	240	1.5/16-12	1-11 BSPT	50	46	33	0,328

5265

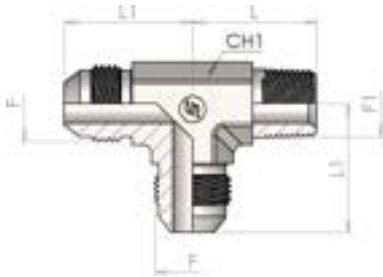
45° Male stud elbows JIC-BSPT

SDE45



Product number	Ø tube		Dimension							W.P.	Thread		Weight
	mm	inch	F	T	L	C	E	bar	F	F1	L1	CH1	kg/unit
5265-02-04	6	1/4"	7/16-20	1/8-28	16.5	19	12	345	7/16-20	1/8-28 BSPT	18.5	12	0,02
5265-02-05	8	5/16"	1/2-20	1/8-28	16.5	20	14	345	1/2-20	1/8-28 BSPT	19.5	14	0,025
5265-04-04	6	1/4"	7/16-20	1/4-19	22	21	14	310	7/16-20	1/4-19 BSPT	21	14	0,03
5265-04-05	8	5/16"	1/2-20	1/4-19	22	21	14	310	1/2-20	1/4-19 BSPT	21	14	0,03
5265-04-06	10	3/8"	9/16-18	1/4-19	22	21	14	310	9/16-18	1/4-19 BSPT	21	14	0,027
5265-06-06	10	3/8"	9/16-18	3/8-19	24	22	14	310	9/16-18	3/8-19 BSPT	22	19	0,052
5265-06-08	12	1/2"	3/4-16	3/8-19	24	25	19	310	3/4-16	3/8-19 BSPT	25	19	0,06
5265-08-08	12	1/2"	3/4-16	1/2-14	29.5	25	22	240	3/4-16	1/2-14 BSPT	25	22	0,092
5265-08-10	14-16	5/8"	7/8-14	1/2-14	29.5	28	22	240	7/8-14	1/2-14 BSPT	28	22	0,092
5265-12-12	18-20	3/4"	1.1/16-12	3/4-11	30.5	33	27	240	1.1/16-12	3/4-14 BSPT	32.5	27	0,15
5265-16-16	25	1"	1.5/16-12	1-11	37.5	37	33	240	1.5/16-12	1-11 BSPT	37	33	0,24

5275



BSPT Run Tee

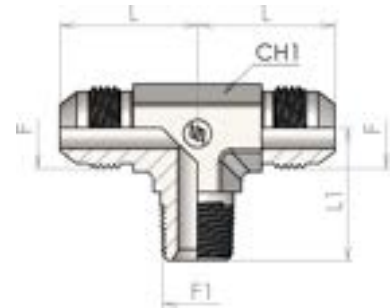
SDRT

Product number	Ø tube		Dimension								Thread		Weight
	mm	inch	F	T	B	C	E	F	F1	L	L1	CH1	kg/unit
5275-02-04	6	1/4"	7/16-20	1/8	23	20	12	7/16-20	1/8-28 BSPT	19.5	22	12	0,03
5275-02-05	8	5/16"	1/2-20	1/8	24	20	14	1/2-20	1/8-28 BSPT	23.5	24	14	0,039
5275-04-04	6	1/4"	7/16-20	1/4	27	28	14	7/16-20	1/4-19 BSPT	27.5	23	14	0,052
5275-04-05	8	5/16"	1/2-20	1/4	27	28	14	1/2-20	1/4-19 BSPT	27.5	24	14	0,053
5275-04-06	10	3/8"	9/16-18	1/4	27	28	14	9/16-18	1/4-19 BSPT	27.5	27	14	0,055
5275-04-08	12	1/2"	3/4-16	1/4	32	31	19	3/4-16	1/4-19 BSPT	29.5	31	19	0,066
5275-06-06	10	3/8"	9/16-18	3/8	29	31	14	9/16-18	3/8-19 BSPT	32	29	19	0,077
5275-06-08	12	1/2"	3/4-16	3/8	32	31	19	3/4-16	3/8-19 BSPT	32	31	19	0,111
5275-06-10	14-16	5/8"	7/8-14	3/8	37	33	22	7/8-14	3/8-19 BSPT	34	36	22	0,138
5275-08-08	12	1/2"	3/4-16	1/2	34	38	22	3/4-16	1/2-14 BSPT	36	33.5	22	0.163
5275-08-10	14-16	5/8"	7/8-14	1/2	37	38	22	7/8-14	1/2-14 BSPT	36	36	22	0,169
5275-08-12	18-20	3/4"	1.1/16-12	1/2	42	41	27	1.1/16-12	1/2-14 BSPT	39	42	27	0,211
5275-12-10	14-16	5/8"	7/8-14	3/4	40	41	27	7/8-14	3/4-14 BSPT	42.5	39	27	0,245
5275-12-12	18-20	3/4"	1.1/16-12	3/4	42	41	27	1.1/16-12	3/4-14 BSPT	42.5	42	27	0,267
5275-12-16	25	1"	1.5/16-12	3/4	46	45	33	1.5/16-12	3/4-14 BSPT	46	46	33	0,311
5275-16-12	18-20	3/4"	1.1/16-12	1	45	50	33	1.1/16-12	1-11 BSPT	50	44	33	0,36
5275-16-16	25	1"	1.5/16-12	1	46	50	33	1.5/16-12	1-11 BSPT	50	46	33	0,407
5275-16-20	30-32	1.1/4"	1.5/8-12	1	52	60	41	1.5/8-12	1-11 BSPT	55	52	41	0,522
5275-20-20	30-32	1.1/4"	1.5/8-12	1.1/4	52	61	41	1.5/8-12	1.1/4-11 BSPT	60.5	52	41	0,681
5275-24-24	38	1.1/2"	1.7/8-12	1.1/2	59	67	48	1.7/8-12	1.1/2-11 BSPT	67	59	50	0,905

5280

BSPT Branch Tee

SDBT

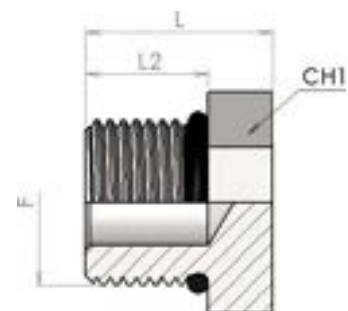


Product number	Ø tube		Dimension									Thread			Weight kg/unit
	mm	inch	F	T	B	C	E	F	F1	L	L1	CH1			
5280-02-04	6	1/4"	7/16-20	1/8	23	20	12	7/16-20	1/8-28 BSPT	19.5	22	12	0,03		
5280-02-05	8	5/16"	1/2-20	1/8	24	20	14	1/2-20	1/8-28 BSPT	23.5	24	14	0,039		
5280-04-04	6	1/4"	7/16-20	1/4	27	28	14	7/16-20	1/4-19 BSPT	27.5	23	14	0,052		
5280-04-06	10	3/8"	9/16-18	1/4	27	28	14	9/16-18	1/4-19 BSPT	27.5	27	14	0,055		
5280-06-06	10	3/8"	9/16-18	3/8	29	31	14	9/16-18	3/8-19 BSPT	32	29	19	0,077		
5280-06-08	12	1/2"	3/4-16	3/8	32	31	19	3/4-16	3/8-19 BSPT	32	31	19	0,111		
5280-08-08	12	1/2"	3/4-16	1/2	34	38	22	3/4-16	1/2-14 BSPT	36	33.5	22	0,163		
5280-08-10	14-16	5/8"	7/8-14	1/2	37	38	22	7/8-14	1/2-14 BSPT	36	36	22	0,169		
5280-12-12	18-20	3/4"	1.1/16-12	3/4	42	41	27	1.1/16-12	3/4-14 BSPT	42.5	42	27	0,267		
5280-16-16	25	1"	1.5/16-12	1	46	50	33	1.5/16-12	1-11 BSPT	50	46	33	0,407		

5040

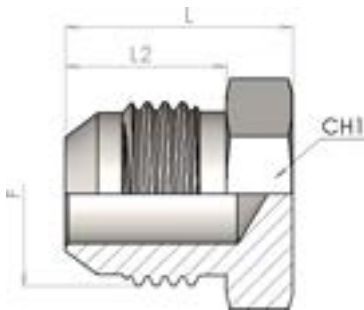
UNF male plug (ISO 11926-1)

PL



Product number	Dimension					Thread		Weight kg/unit
	F	L	E	F	L2	CH1		
5040-04	7/16" - 20	17	14	7/16-20	9	14	0,013	
5040-05	1/2" - 20	17	14	1/2-20	9	17	0,019	
5040-06	9/16" - 18	18.5	17	9/16-18	10	17	0,022	
5040-08	3/4" - 16	20.5	22	3/4-16	11	22	0,044	
5040-10	7/8" - 14	23.5	27	7/8-14	13	27	0,053	
5040-12	1.1/16" - 12	28	32	1.1/16-12	15	32	0,117	
5040-16	1.5/16" - 12	28.5	38	1.5/16-12	15	38	0,141	

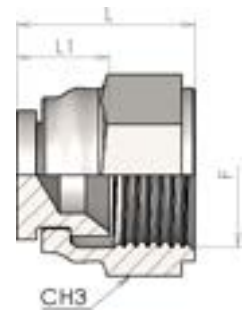
J605



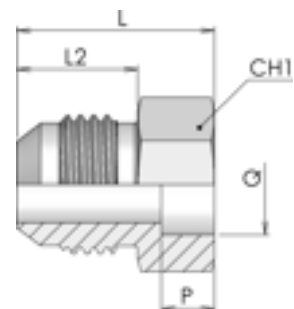
JIC Male plug (ISO 8434-2)

PL

Product number	Ø tube		Dimension					W.P.	Thread	Weight
	mm	inch	F	L	E	bar	F	L2	CH1	kg/unit
J605-04	6	1/4"	7/16" - 20	20.5	12	350	7/16-20	14	12	0,01
J605-05	8	5/16"	1/2" - 20	20.5	14	350	1/2-20	14	14	0,014
J605-06	10	3/8"	9/16" - 18	21.5	15	350	9/16-18	14	17	0,02
J605-08	12	1/2"	3/4" - 16	24	19	310	3/4-16	17	22	0,04
J605-10	14-16	5/8"	7/8" - 14	28	24	240	7/8-14	19	24	0,06
J605-12	18-20	3/4"	1.1/16" - 12	32.5	27	240	1.1/16-12	22	30	0,095
J605-16	25	1"	1.5/16" - 12	34	36	210	1.5/16-12	23	36	0,1
J605-20	30-32	1.1/4"	1.5/8" - 12	37	46	170	1.5/8-12	24	46	0,27
J605-24	38	1.1/2"	1.7/8" - 12	42	50	170	1.7/8-12	27.5	50	0,36
J605-32	50	2"		55		100	2.1/2-12	34	65	0,47

J608**JIC Female swivel plug (ISO 8434-2)****PL**

Product number	Ø tube		Dimension					Thread	Weight
	mm	inch	F	L	H	F	L1	CH3	kg/unit
J608-04	6	1/4"	7/16" - 20	18.5	14	7/16-20	9.5	14	0,014
J608-05	8	5/16"	1/2" - 20	19.5	17	1/2-20	10	17	0,019
J608-06	10	3/8"	9/16" - 18	20.5	19	9/16-18	11.5	19	0,031
J608-08	12	1/2"	3/4" - 16	24	24	3/4-16	13.5	22	0,045
J608-10	16	5/8"	7/8" - 14	27.5	27	7/8-14	14,5	27	0,075
J608-12	20	3/4"	1.1/16" - 12	29.5	32	1.1/16-12	16	32	0,114
J608-16	32	1.1/4"	1.5/16" - 12	33	41	1.5/16-12	17	41	0,272
J608-20	38	1.1/2"	1.5/8" - 12	36.5	50	1.5/8-12	20.5	50	0,553
J608-24	50	2"	1.7/8" - 12	42	55	1.7/8-12	23	60	0,93

MJ**JIC braze-on straight connector (ISO 8434-2)****BRS**

Product number	Ø tube		Thread	Dimension					Weight
	mm	inch	F	Q	P	L	L2	CH1	kg/unit
MJ-05-10	8	5/16"	1/2-20	10	8.5	26	14	17	0,020
MJ-06-10	10	3/8"	9/16-18	10	8.5	27.5	14	19	0,034
MJ-06-12	10	3/8"	9/16-18	12	8.5	27.5	14	19	0,030
MJ-08-12	12	1/2"	3/4-16	12	8.5	29	17	22	0,047
MJ-10-16	14-16	5/8"	7/8-14	16	9	31.5	19	24	0,058
MJ-12-18	18-20	3/4"	1.1/16-12	18	12.5	40	22	30	0,118
MJ-12-20	18-20	3/4"	1.1/16-12	20	12.5	40	22	30	0,116
MJ-16-25	25	1"	1.5/16-12	25	14	42	23	36	0,161

Adattatori DIN 2353 - D

in



7400



Nut (ISO 8434-1) N

161

7410



Cutting ring (ISO 8434-1)
CR

162

7430_BS



Male stud connector
BSPP thread (Form B ISO
1179-4)SDS

163

7430_M



Male stud connector
Metric fine thread (Form
B ISO 9974-3)SDS

165

7430_I



Male stud connector
Metric fine thread (Form
F ISO 6149-2/3)

166

7430_UN



Male stud connector
UNF thread (ISO
11926-2/3)

167

7440_BS



Male stud connector
with Elastomeric Sealing
(Form E ISO 1179-2)

168

7440_M



Male stud connector
with Elastomeric Sealing
(Form E ISO 9974-2) SDS

170

7435



Male stud connector
BSPP thread (ISO
8434-6)

171

7450_BT



Male stud connector
BSPP tapered thread
(Form C DIN 3852-2)SDS

173

7450_M



Male stud connector
Metric fine tapered
thread (Form C DIN
3852-1)SDS

173

7450_NP



Male connector NPTF
tapered thread SDS

174

7460_BS



Male stud elbow
connector BSPT tapered
thread (Form C DIN
3852-2) SDE

175

7460_M



Male stud elbow
connector Metric fine
tapered thread (Form C
DIN 3852-1) SDE

176

7460_NP



Male stud elbow - NPTF
tapered thread (ISO
8434-1) SDE

177

7500



Straight union (ISO 8434-1)S

178

7510



Straight reducer (ISO 8434-1)

179

7520



Union elbow (ISO 8434-1) E

181

7000



Union tee (ISO 8434-1) T

182

7010



Union cross (ISO 8434-1) K

183

7020



Bulkhead union (ISO 8434-1) BHSLN

184

7130



Bulkhead elbow (ISO 8434-1) BHELN

185

M107



Bulkhead locknut

186

7360_BS



Swivel connector BSPP thread with Elastomeric Sealing (Form E ISO 1179-2)

187

7360_M



Swivel connector Metric fine thread with Elastomeric Sealing (Form E ISO 9974-2) SWOSDS

188

7370_L



Metric union reducer light series RDSW

189

7370_S



Metric union reducer heavy series RDSW

191

7380



Swivel union (ISO 8434-1) SW20S

193

7330



Swivel elbow (ISO 8434-1) SWOE

194

7335



Swivel 45° elbow (ISO 8434-1) SWOE45

195

7350



Swivel Run Tee (ISO 8434-1)

196

7340



Swivel branch tee (ISO 8434-1) SWOBT

197

7600_M



90° Adjustable Metric stud elbow with O-ring and retaining ring

198

7600_BS



90° Adjustable BSP stud elbow (ISO 1179)

199

7600_UN



90° Adjustable UNF stud elbow (ISO 11926)

200

7605



90° Adjustable Metric stud elbow (ISO 6149)

201

7630



45° Adjustable BSP stud elbow (ISO 1179)

202

7635



45° Adjustable Metric stud elbow (ISO 6149)

203

7610_BS



Adjustable stud Run Tee BSP (ISO 1179)

204

7610_UN



Adjustable stud Run Tee UNF (ISO 11926)

205

7615



Adjustable stud Run Tee Metric (ISO 6149)

206

7620_BS



Adjustable stud Branch Tee BSP (ISO 1179)

207

7620_UN



Adjustable stud Branch Tee UNF (ISO 11926)

208

7625



Adjustable stud Branch Tee Metric (ISO 6149)

209

7240



Thread reducing coupling with Elastomeric sealing (Form 5) (ISO 1179- 2)

210

7250_BS



Female connector BSPP thread S

212

7250_M



Female connector Metric fine thread S

213

7030



Gauge connector BSPP thread (ISO 8434-1) SGC

214

7035



Swivel gauge connector (ISO 8434-1) SWOGC

215

7260_BS



Blanking plug for port thread: BSPP (Form E ISO 1179-2) PLE

216

7260_M



Blanking plug for port thread: Metric fine (Form E ISO 9974-2) PLE

217

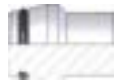
7270



Plug (ISO 8434-1) PL

218

7290



Pipe plug with O-Ring seal (ISO 8434-1) PL

219

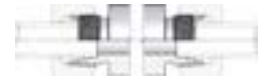
7420



Weld connector (ISO 8434-1) WDS

220

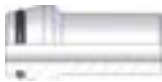
7120



Welding straight bulkhead (ISO 8434-1)WDBHS

221

7280

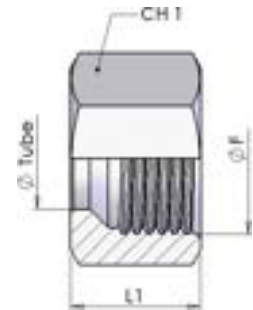


Welding nipple with O-ring seal WDNP

222

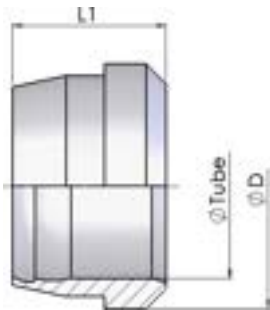
7400

Nut (ISO 8434-1) N



Product number	Ø tube	Tipo	W.P.	Thread	Dimension		Weight
	mm				F	L1	
7400-04LLNI	4	LL	100	M 8x1	11	10	0,004
7400-06LLNI	6	LL	100	M 10x1	11.5	12	0,006
7400-08LLNI	8	LL	100	M 12x1	12	14	0,007
7400-06LNI	6	L	315	M 12x1,5	14.5	14	0,010
7400-08LNI	8	L	315	M 14x1,5	14.5	17	0,015
7400-10LNI	10	L	315	M 16x1,5	15.5	19	0,018
7400-12LNI	12	L	315	M 18x1,5	15.5	22	0,025
7400-15LNI	15	L	315	M 22x1,5	17	27	0,042
7400-18LNI	18	L	315	M 26x1,5	18	32	0,062
7400-22LNI	22	L	160	M 30x2	20	36	0,082
7400-28LNI	28	L	160	M 36x2	21	41	0,089
7400-35LNI	35	L	160	M 45x2	24	50	0,137
7400-42LNI	42	L	160	M 52x2	24	60	0,216
7400-06SNI	6	S	630	M 14x1,5	16.5	17	0,017
7400-08SNI	8	S	630	M 16x1,5	16.5	19	0,020
7400-10SNI	10	S	630	M 18x1,5	17.5	22	0,031
7400-12SNI	12	S	630	M 20x1,5	17.5	24	0,034
7400-14SNI	14	S	630	M 22x1,5	20.5	27	0,053
7400-16SNI	16	S	400	M 24x1,5	20.5	30	0,066
7400-20SNI	20	S	400	M 30x2	24	36	0,102
7400-25SNI	25	S	400	M 36x2	27	46	0,202
7400-30SNI	30	S	250	M 42x2	29	50	0,219
7400-38SNI	38	S	250	M 52x2	32.5	60	0,339

7410

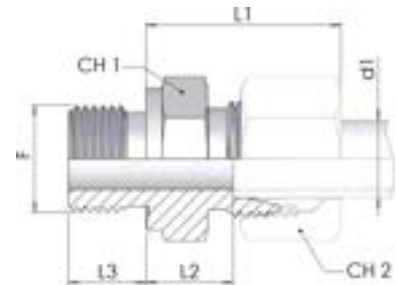


Cutting ring (ISO 8434-1) CR

Product number	Tipo	W.P. bar	Ø tube mm	Dimension		Weight kg/unit
				L1	D	
7410-04LL	LL	100	4	6	6	0,0003
7410-06LL	LL	100	6	7	8	0,0008
7410-08LL	LL	100	8	7	10	0,0010
7410-06LS	LS	630	6	9.5	10	0,0017
7410-08LS	LS	630	8	9.5	12	0,0022
7410-10LS	LS	630	10	10	14	0,0031
7410-12LS	LS	630	12	10	16	0,0035
7410-15L	L	250	15	10	19	0,0045
7410-18L	L	160	18	10	23	0,0055
7410-22L	L	160	22	10.5	27	0,0077
7410-28L	L	100	28	11	33	0,0094
7410-35L	L	100	35	13	41	0,0200
7410-42L	L	100	42	13	48	0,0230
7410-14S	S	630	14	10	19	0,0390
7410-16S	S	400	16	10.5	21	0,0560
7410-20S	S	400	20	12	26	0,0154
7410-25S	S	400	25	12	32	0,0133
7410-30S	S	250	30	13	36	0,0193
7410-38S	S	250	38	13	44	0,2250

7430_BS

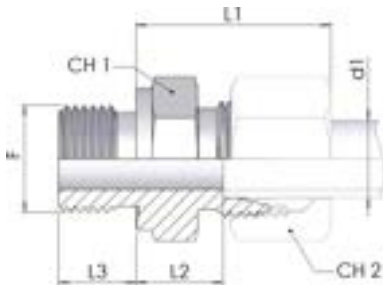
Male stud connector BSPP thread (Form B ISO 1179-4)SDS



Product number	Ø tube	Tipo	W.P.	Dimension						Weight
	mm			bar	F	L1	L2	L3	CH1	
7430-06LR-1NI	6	L	315	G 1/8	23	8.5	8	14	14	0,014
7430-06LR04-1NI	6	L	315	G 1/4	24.5	10	12	19	14	0,024
7430-06LR06-1NI	6	L	315	G 3/8	26	11.5	12	22	14	0,040
7430-08LR02-1NI	8	L	315	G 1/8	24.5	9.5	8	14	17	0,027
7430-08LR-1NI	8	L	315	G 1/4	25	10	12	19	17	0,027
7430-08LR06-1NI	8	L	315	G 3/8	26.5	11.5	12	22	17	0,044
7430-08LR08-1NI	8	L	315	G 1/2	27	12	14	27	17	0,074
7430-10LR-1NI	10	L	315	G 1/4	26	11	12	19	19	0,030
7430-10LR06-1NI	10	L	315	G 3/8	27.5	12.5	12	22	19	0,045
7430-10LR08-1NI	10	L	315	G 1/2	28	13	14	27	19	0,072
7430-12LR04-1NI	12	L	315	G 1/4	26.5	12	12	19	22	0,032
7430-12LR-1NI	12	L	315	G 3/8	27	12.5	12	22	22	0,042
7430-12LR08-1NI	12	L	315	G 1/2	27.5	13	14	27	22	0,071
7430-15LR06-1NI	15	L	315	G 3/8	28.5	13.5	12	24	27	0,052
7430-15LR-1NI	15	L	315	G 1/2	29	14	14	27	27	0,071
7430-15LR12-1NI	15	L	315	G 3/4	30	15	16	32	27	0,117
7430-18LR-1NI	18	L	315	G 1/2	31	14.5	14	27	32	0,070
7430-18LR12-1NI	18	L	315	G 3/4	31	14.5	16	32	32	0,110
7430-22LR08-1NI	22	L	160	G 1/2	33	16.5	14	32	36	0,088
7430-22LR-1NI	22	L	160	G 3/4	33	16.5	16	32	36	0,103
7430-28LR12-1NI	28	L	160	G 3/4	34	17.5	16	41	41	0,143
7430-28LR-1NI	28	L	160	G 1	34	17.5	18	41	41	0,169
7430-35LR-1NI	35	L	160	G 1 1/4	39	17.5	20	50	50	0,274
7430-42LR-1NI	42	L	160	G 1 1/2	42	19	22	55	60	0,349

continue on next page

7430_BS



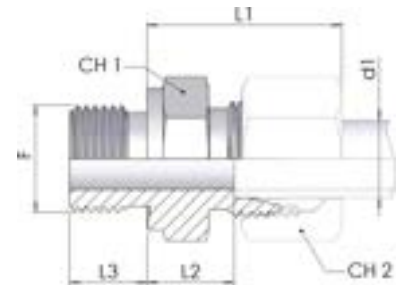
Male stud connector BSPP thread (Form B ISO 1179-4)SDS

continue on previous page

Product number	Ø tube	Tipo	W.P. bar	Dimension						Weight kg/unit
	mm			F	L1	L2	L3	CH1	CH2	
7430-06SR-1NI	6	S	630	G 1/4	28	13	12	19	17	0,035
7430-06SR08-1NI	6	S	630	G 1/2	33	18	14	27	17	0,067
7430-08SR-1NI	8	S	630	G 1/4	30	15	12	19	19	0,041
7430-08SR06-1NI	8	S	630	G 3/8	30.5	15.5	12	22	19	0,055
7430-10SR04-1NI	10	S	630	G 1/4	30.5	14.5	12	19	22	0,042
7430-10SR-1NI	10	S	630	G 3/8	31	15	12	22	22	0,056
7430-10SR08-1NI	10	S	630	G 1/2	33.5	17.5	14	27	22	0,078
7430-12SR04-1NI	12	S	630	G 1/4	32.5	16.5	12	22	24	0,057
7430-12SR-1NI	12	S	630	G 3/8	33	17	12	22	24	0,062
7430-12SR08-1NI	12	S	630	G 1/2	33.5	17.5	14	27	24	0,097
7430-14SR06-1NI	14	S	630	G 3/8	36.5	18.5	12	24	27	0,075
7430-14SR-1NI	14	S	630	G 1/2	37	19	14	27	27	0,098
7430-16SR06-1NI	16	S	400	G 3/8	36.5	18	12	27	30	0,084
7430-16SR-1NI	16	S	400	G 1/2	37	18.5	14	27	30	0,091
7430-16SR12-1NI	16	S	400	G 3/4	39	20.5	16	32	30	0,155
7430-20SR08-1NI	20	S	400	G 1/2	42	20.5	14	32	36	0,133
7430-20SR-1NI	20	S	400	G 3/4	42	20.5	16	32	36	0,151
7430-25SR12-1NI	25	S	400	G 3/4	47	23	16	41	46	0,241
7430-25SR-1NI	25	S	400	G 1	47	23	18	41	46	0,266
7430-30SR16-1NI	30	S	400	G 1	50	23.5	18	46	50	0,328
7430-30SR-1NI	30	S	400	G 1 1/4	50	23.5	20	50	50	0,417
7430-38SR20-1NI	38	S	315	G 1 1/4	57	26	20	55	60	0,550
7430-38SR-1NI	38	S	315	G 1 1/2	57	26	22	55	60	0,566

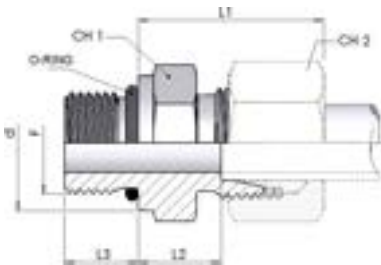
7430_M

Male stud connector Metric fine thread (Form B ISO 9974-3)SDS



Product number	Ø tube	Tipo	W.P.	Dimension						Weight
	mm			bar	F	L1	L2	L3	CH1	
7430-06LM-1NI	6	L	315	M 10x1	23	8.5	8	14	14	0,014
7430-08LM-1NI	8	L	315	M 12x1,5	25	10	12	17	17	0,022
7430-08LM14-1NI	8	L	315	M 14x1,5	26	10	12	19	17	0,029
7430-08LM18-1NI	8	L	315	M 18x1,5	26.5	11.5	12	24	17	0,052
7430-10LM-1NI	10	L	315	M 14x1,5	26	11	12	19	19	0,030
7430-10LM16-1NI	10	L	315	M 16x1,5	27.5	12.5	12	22	19	0,042
7430-10LM18-1NI	10	L	315	M 18x1,5	27.5	12.5	12	24	19	0,052
7430-10LM22-1NI	10	L	315	M 22x1,5	29	14	14	27	19	0,081
7430-12LM-1NI	12	L	315	M 16x1,5	27	12.5	12	22	22	0,040
7430-12LM18-1NI	12	L	315	M 18x1,5	27	12.5	12	24	22	0,045
7430-12LM22-1NI	12	L	315	M 22x1,5	28.5	14	14	27	22	0,078
7430-15LM-1NI	15	L	315	M 18x1,5	29	12	13.5	24	27	0,051
7430-15LM22-1NI	15	L	315	M 22x1,5	30	15	14	27	27	0,078
7430-18LM-1NI	18	L	315	M 22x1,5	31	14.5	14	27	32	0,077
7430-18LM18-1NI	18	L	315	M 18x1,5	30.5	14	12	27	32	0,066
7430-22LM-1NI	22	L	160	M 26x1,5	33	16.5	16	32	36	0,101
7430-28LM-1NI	28	L	160	M 33x2	34	17.5	18	41	41	0,167
7430-35LM-1NI	35	L	160	M 42x2	39	17.5	20	50	50	0,278
7430-42LM-1NI	42	L	160	M 48x2	42	19	22	55	60	0,354
7430-06SM-1NI	6	S	630	M 12x1,5	28	13	12	17	17	0,031
7430-08SM-1NI	8	S	630	M 14x1,5	30	15	12	19	19	0,043
7430-10SM-1NI	10	S	630	M 16x1,5	31	15	12	22	22	0,054
7430-12SM-1NI	12	S	630	M 18x1,5	33	17	12	24	24	0,071
7430-14SM-1NI	14	S	630	M 20x1,5	37	19	14	27	27	0,092
7430-16SM-1NI	16	S	400	M 22x1,5	37	18.5	14	27	30	0,097
7430-20SM-1NI	20	S	400	M 27x2	42	20.5	16	32	36	0,153
7430-25SM-1NI	25	S	400	M 33x2	47	23	18	41	46	0,266
7430-30SM-1NI	30	S	400	M 42x2	50	23.5	20	50	50	0,428
7430-38SM-1NI	38	S	315	M 48x2	57	26	22	55	60	0,573

7430_I



Male stud connector Metric fine thread (Form F ISO 6149-2/3)

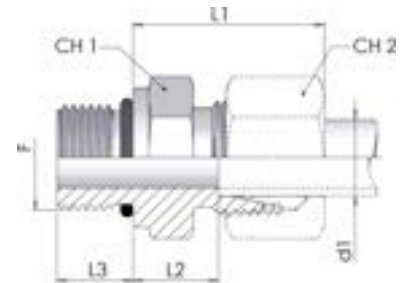
SDS

Product number	Ø tube	Tipo	W.P.	Dimension						Weight
	mm			F	L1	L2	L3	CH1	CH2	
7430-06LI-1NI	6	L	315	M 10x1	23	8.5	8	14	14	0,015
7430-08LI-1NI	8	L	315	M 12x1,5	25	10	12	17	17	0,022
7430-10LI-1NI	10	L	315	M 14x1,5	26	11	12	19	19	0,029
7430-12LI-1NI	12	L	315	M 16x1,5	27	12.5	12	22	22	0,040
7430-15LI-1NI	15	L	315	M 18x1,5	29	14	14	24	27	0,052
7430-18LI-1NI	18	L	315	M 22x1,5	31	14.5	14	27	32	0,077
7430-22LI-1NI	22	L	160	M 27x2	33	16.5	16	32	36	0,105
7430-28LI-1NI	28	L	160	M 33x2	34	17.5	18	41	41	0,164
7430-35LI-1NI	35	L	160	M 42x2	39	17.5	20	50	50	0,265
7430-42LI-1NI	42	L	160	M 48x2	42	19	22	55	60	0,330
7430-06SI-1NI	6	S	630	M 12x1,5	28	13	12	17	17	0,029
7430-08SI-1NI	8	S	630	M 14x1,5	30	15	12	19	19	0,041
7430-10SI-1NI	10	S	630	M 16x1,5	31	15	12	22	22	0,055
7430-12SI-1NI	12	S	630	M 18x1,5	33	17	12	24	24	0,075
7430-16SI-1NI	16	S	400	M 22x1,5	37	18.5	14	27	30	0,099
7430-20SI-1NI	20	S	400	M 27x2	42	20.5	16	32	36	0,164
7430-25SI-1NI	25	S	400	M 33x2	47	23	18	41	46	0,269
7430-30SI-1NI	30	S	250	M 42x2	50	23.5	20	50	50	0,493
7430-38SI-1NI	38	S	250	M 48x2	57	26	22	55	60	0,571

7430_UN

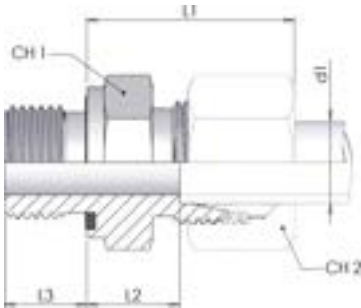
Male stud connector UNF thread (ISO 11926-2/3)

SDS



Product number	Ø tube	Tipo	W.P.	Dimension						Weight
	mm			bar	F	L1	L2	L3	CH1	
7430-08LU04-1NI	8	L	315	7/16-20 UNF	25	10	9	14	17	0,021
7430-10LU04-1NI	10	L	315	7/16-20 UNF	26	11	9	17	19	0,024
7430-12LU06-1NI	12	L	315	9/16-18 UNF	25.5	11	10	19	22	0,032
7430-12LU08-1NI	12	L	315	3/4-16 UNF	27.5	13	11	22	22	0,045
7430-12LU10-1NI	12	L	400	7/8-14 UNF	29.3	12.8	12.7	27	22	0,07
7430-15LU08-1NI	15	L	315	3/4-16 UNF	29	14	11	27	27	0,054
7430-15LU10-1NI	15	L	315	7/8-14 UNF	29	14	11	27	27	0,075
7430-18LU08-1NI	18	L	315	3/4-16 UNF	31	14.5	11	27	32	0,066
7430-18LU10-1NI	18	L	315	7/8-14 UNF	31.5	15	12.5	27	32	0,074
7430-22LU10-1NI	22	L	160	7/8-14 UNF	33.5	17	12.5	32	36	0,098
7430-22LU12-1NI	22	L	160	1 1/16-12 UN	33	16.5	15	32	36	0,102
7430-22LU16-1NI	22	L	250	1 5/16-12 UN	34	16.5	15	41	36	0,175
7430-28LU12-1NI	28	L	160	1 1/16-12 UN	34	17.5	15	41	41	0,143
7430-28LU16-1NI	28	L	160	1 5/16-12 UN	34	17.5	15	41	41	0,162
7430-35LU16-1NI	35	L	160	1 5/16-12 UN	39	17.5	15	46	50	0,211
7430-35LU20-1NI	35	L	160	1 5/8-12 UN	39	17.5	15	50	50	0,249
7430-42LU20-1NI	42	L	160	1 5/8-12 UN	42	19	15	55	60	0,308
7430-08SU04-1NI	08	S	630	7/16-20 UNF	29	14.8	9.2	17	19	0,035
7430-10SU06-1NI	10	S	630	9/16-18 UNF	31	15	10	19	22	0,041
7430-12SU08-1NI	12	S	630	3/4-16 UNF	33.5	17.5	11	22	24	0,074
7430-16SU08-1NI	16	S	400	3/4-16 UNF	34	15.5	11	27	30	0,081
7430-16SU10-1NI	16	S	400	7/8-14 UNF	37.5	19	12.5	27	30	0,087
7430-20SU08-1NI	20	S	400	3/4-16 UNF	42	20.5	11	32	36	0,127
7430-20SU10-1NI	20	S	400	7/8-14 UNF	42.5	21	12.5	32	36	0,138
7430-20SU12-1NI	20	S	400	1 1/16-12 UN	42	20.5	15	32	36	0,150
7430-25SU12-1NI	25	S	400	1 1/16-12 UN	47	23	15	41	46	0,24
7430-25SU16-1NI	25	S	400	1 5/16-12 UN	47	23	15	41	46	0,257
7430-30SU16-1NI	30	S	400	1 5/16-12 UN	50	23.5	15	46	50	0,31
7430-30SU20-1NI	30	S	250	1 5/8-12 UN	50	23.5	15	50	20	0,381

7440_BS



Male stud connector with Elastomeric Sealing (Form E ISO 1179-2)

SDS

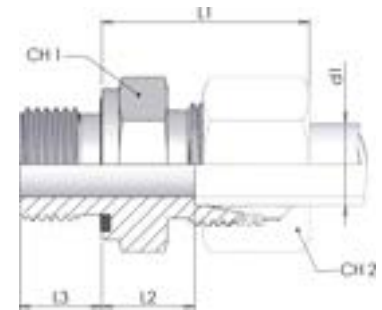
Product number	Ø tube	Tipo	W.P.	Dimension						Weight
	mm			F	L1	L2	L3	CH1	CH2	
7440-06LR-1NI	6	L	315	G 1/8	23	8.5	8	14	14	0,013
7440-06LR04-1NI	6	L	315	G 1/4	24.5	10	12	19	14	0,027
7440-06LR06-1NI	6	L	315	G 3/8	26	11.5	12	22	14	0,038
7440-08LR02-1NI	8	L	315	G 1/8	24.5	9.5	8	14	17	0,015
7440-08LR-1NI	8	L	315	G 1/4	25	10	12	19	17	0,027
7440-08LR06-1NI	8	L	315	G 3/8	26.5	11.5	12	22	17	0,044
7440-08LR08-1NI	8	L	315	G 1/2	27	12	14	27	17	0,072
7440-10LR02-1NI	10	L	315	G 1/8	25.5	110.5	8	17	19	0,020
7440-10LR-1NI	10	L	315	G 1/4	26	11	12	19	19	0,029
7440-10LR06-1NI	10	L	315	G 3/8	27.5	12.5	12	22	19	0,042
7440-10LR08-1NI	10	L	315	G 1/2	28	13	14	27	19	0,063
7440-12LR04-1NI	12	L	315	G 1/4	26.5	12	12	19	22	0,032
7440-12LR-1NI	12	L	315	G 3/8	27	12.5	12	22	22	0,042
7440-12LR08-1NI	12	L	315	G 1/2	27.5	13	14	27	22	0,067
7440-12LR12-1NI	12	L	315	G 3/4	28.5	14	16	32	22	0,091
7440-15LR06-1NI	15	L	315	G 3/8	28.5	13.5	12	24	27	0,051
7440-15LR-1NI	15	L	315	G 1/2	29	14	14	27	27	0,071
7440-15LR12-1NI	15	L	315	G 3/4	30	15	16	32	27	0,117
7440-18LR06-1NI	18	L	315	G 3/8	30.5	14	12	27	32	0,068
7440-18LR-1NI	18	L	315	G 1/2	31	14.5	14	27	32	0,070
7440-18LR12-1NI	18	L	315	G 3/4	31	14.5	16	32	32	0,109
7440-22LR08-1NI	22	L	160	G 1/2	33	16.5	14	32	36	0,087
7440-22LR-1NI	22	L	160	G 3/4	33	16.5	16	32	36	0,102
7440-22LR16-1NI	22	L	160	G 1	34	17.5	18	41	36	0,184
7440-28LR12-1NI	28	L	160	G 3/4	34	17.5	16	41	41	0,146
7440-28LR-1NI	28	L	160	G 1	34	17.5	18	41	41	0,165
7440-28LR20-1NI	28	L	250	G 1 1/4	34	18.5	20	50	46	0,255
7440-35LR16-1NI	35	L	160	G 1	39	17.5	18	46	50	0,238

continue on next page

7440_BS

Male stud connector with Elastomeric Sealing (Form E ISO 1179-2)

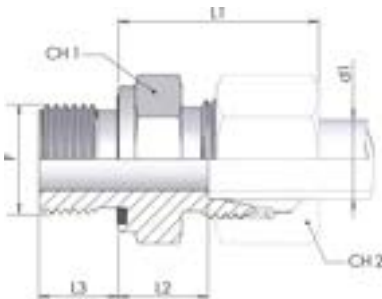
SDS



continue on previous page

Product number	Ø tube	Tipo	W.P.	Dimension						Weight
	mm			bar	F	L1	L2	L3	CH1	
7440-35LR-1NI	35	L	160	G 1 1/4	39	17.5	20	50	50	0,271
7440-42LR20-1NI	42	L	160	G 1 1/4	42	19	20	55	60	0,336
7440-42LR-1NI	42	L	160	G 1 1/2	42	19	22	55	60	0,500
7440-06SR-1NI	6	S	630	G 1/4	28	13	12	19	17	0,035
7440-08SR-1NI	8	S	630	G 1/4	30	15	12	19	19	0,041
7440-08SR06-1NI	8	S	630	G 3/8	30.5	15.5	12	22	19	0,057
7440-10SR04-1NI	10	S	630	G 1/4	30.5	14.5	12	19	22	0,042
7440-10SR-1NI	10	S	630	G 3/8	31	15	12	22	22	0,055
7440-10SR08-1NI	10	S	630	G 1/2	33.5	17.5	14	27	22	0,089
7440-12SR04-1NI	12	S	630	G 1/4	32.5	16.5	12	22	24	0,056
7440-12SR-1NI	12	S	630	G 3/8	33	17	12	22	24	0,062
7440-12SR08-1NI	12	S	630	G 1/2	33.5	17.5	14	27	24	0,091
7440-14SR06-1NI	14	S	630	G 3/8	36.5	18.5	12	24	27	0,083
7440-14SR-1NI	14	S	630	G 1/2	37	19	14	27	27	0,096
7440-16SR06-1NI	16	S	400	G 3/8	36.5	18	12	27	30	0,081
7440-16SR-1NI	16	S	400	G 1/2	37	18.5	14	27	30	0,092
7440-16SR12-1NI	16	S	400	G 3/4	39	20.5	16	32	30	0,138
7440-20SR08-1NI	20	S	400	G 1/2	42	20.5	14	32	36	0,135
7440-20SR-1NI	20	S	400	G 3/4	42	20.5	16	32	36	0,149
7440-20SR16-1NI	20	S	400	G 1	42	22.5	18	41	36	0,250
7440-25SR12-1NI	25	S	400	G 3/4	47	23	16	41	46	0,237
7440-25SR-1NI	25	S	400	G 1	44	22.5	18	41	46	0,263
7440-25SR20-1NI	25	S	400	G 1 1/4	47	23	20	50	46	0,265
7440-30SR16-1NI	30	S	400	G 1	50.2	15.5	18	46	520	0,330
7440-30SR-1NI	30	S	400	G 1 1/4	50	23.5	20	50	50	0,419
7440-30SR24-1NI	30	S	400	G 1 1/2	53	26.5	22	55	50	0,64
7440-38SR16-1NI	38	S	400	G 1	57	26	18	55	60	0,45
7440-38SR20-1NI	38	S	315	G 1 1/4	57	26	20	55	60	0,555
7440-38SR-1NI	38	S	315	G 1 1/2	57	26	22	55	60	0,559

7440_M



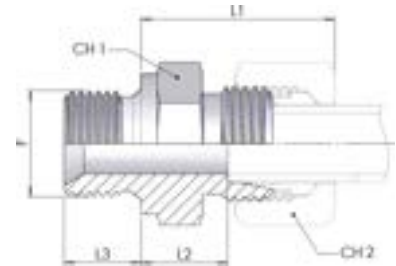
Male stud connector with Elastomeric Sealing (Form E ISO 9974-2) SDS

Product number	Ø tube	Tipo	W.P.	Dimension						Weight
	mm			F	L1	L2	L3	CH1	CH2	
7440-06LM-1NI	6	L	315	M 10x1	23	8.5	8	14	14	0,014
7440-08LM-1NI	8	L	315	M 12x1,5	25	10	12	17	17	0,021
7440-10LM-1NI	10	L	315	M 14x1,5	26	11	12	19	19	0,029
7440-10LM16-1NI	10	L	315	M 16x1,5	27.5	12.5	12	22	19	0,042
7440-10LM18-1NI	10	L	315	M 18x1,5	27.5	12.5	12	24	19	0,049
7440-10LM22-1NI	10	L	315	M 22x1,5	29	14	14	27	19	0,080
7440-12LM14-1NI	12	L	315	M 14x1,5	27	12.5	12	19	22	0,029
7440-12LM-1NI	12	L	315	M 16x1,5	27	12.5	12	22	22	0,039
7440-12LM18-1NI	12	L	315	M 18x1,5	27	12.5	12	24	22	0,044
7440-12LM22-1NI	12	L	315	M 22x1,5	28.5	14	14	27	22	0,064
7440-15LM16-1NI	15	L	315	M 16x1,5	28	13	12	24	27	0,048
7440-15LM-1NI	15	L	315	M 18x1,5	28.5	13.5	12	24	27	0,051
7440-15LM22-1NI	15	L	315	M 22x1,5	30	15	14	27	27	0,071
7440-18LM18-1NI	18	L	315	M 18x1,5	30.5	14	12	27	32	0,065
7440-18LM-1NI	18	L	315	M 22x1,5	31	14.5	14	27	32	0,074
7440-22LM22-1NI	22	L	160	M 22x1,5	33	16.5	14	32	36	0,090
7440-22LM-1NI	22	L	160	M 26x1,5	33	16.5	16	32	36	0,101
7440-28LM-1NI	28	L	160	M 33x2	34	17.5	18	41	41	0,164
7440-35LM-1NI	35	L	160	M 42x2	39	17.5	20	50	50	0,273
7440-42LM-1NI	42	L	160	M 48x2	42	19	22	55	60	0,346
7440-06SM-1NI	6	S	630	M 12x1,5	28	13	12	17	17	0,029
7440-08SM-1NI	8	S	630	M 14x1,5	30	15	12	19	19	0,041
7440-10SM-1NI	10	S	630	M 16x1,5	31	15	12	22	22	0,053
7440-12SM-1NI	12	S	630	M 18x1,5	33	17	12	24	24	0,071
7440-14SM-1NI	14	S	630	M 20x1,5	37	19	14	27	27	0,094
7440-16SM18-1NI	16	S	400	M 18x1,5	36.5	18	12	27	30	0,081
7440-16SM-1NI	16	S	400	M 22x1,5	37	18.5	14	27	30	0,096
7440-20SM-1NI	20	S	400	M 27x2	42	20.5	16	32	36	0,151
7440-25SM-1NI	25	S	400	M 33x2	47	23	18	41	46	0,265
7440-30SM-1NI	30	S	400	M 42x2	50	23.5	20	50	50	0,417
7440-38SM-1NI	38	S	315	M 48x2	57	26	22	55	60	0,564

7435

Male stud connector BSPP thread (ISO 8434-6)

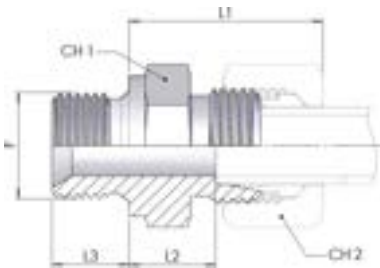
SDS



Product number	Ø tube	Tipo	W.P.	Dimension						Weight kg/unit
	mm			bar	F	L1	L2	L3	CH1	
7435-06LR-1NI	6	L	315	G 1/8	23	8.5	8	14	14	0,014
7435-06LR04-1NI	6	L	315	G 1/4	25	9	11	19	14	0,025
7435-06LR06-1NI	6	L	315	G 3/8	26	11.5	12	22	14	0,042
7435-08LR-1NI	8	L	315	G 1/4	25	10	11	19	17	0,027
7435-10LR-1NI	10	L	315	G 1/4	26	11	11	19	19	0,027
7435-10LR06-1NI	10	L	315	G 3/8	27	12.5	12	22	19	0,043
7435-10LR08-1NI	10	L	315	G 1/2	28	13	14	27	19	0,068
7435-12LR04-1NI	12	L	315	G 1/4	27	12	11	19	22	0,031
7435-12LR-1NI	12	L	315	G 3/8	27	12.5	12	22	22	0,046
7435-12LR08-1NI	12	L	315	G 1/2	28	13	14	27	22	0,067
7435-15LR06-1NI	15	L	315	G 3/8	29	13.5	12	24	27	0,051
7435-15LR-1NI	15	L	315	G 1/2	29	14	14	27	27	0,077
7435-15LR12-1NI	15	L	315	G 3/4	30	15	16	32	27	0,112
7435-18LR-1NI	18	L	315	G 1/2	31	14.5	14	27	32	0,071
7435-18LR12-1NI	18	L	315	G 3/4	30	14.5	16	32	32	0,106
7435-22LR08-1NI	22	L	160	G 1/2	33	16.5	14	32	36	0,088
7435-22LR-1NI	22	L	160	G 3/4	33	16.5	16	32	36	0,102
7435-22LR16-1NI	22	L	160	G 1	34	16.5	19	41	36	0,167
7435-28LR-1NI	28	L	160	G 1	34	17.5	19	41	41	0,167
7435-35LR-1NI	35	L	160	G 1 1/4	39	17.5	20	50	50	0,272

continue on next page

7435



Male stud connector BSPP thread (ISO 8434-6)

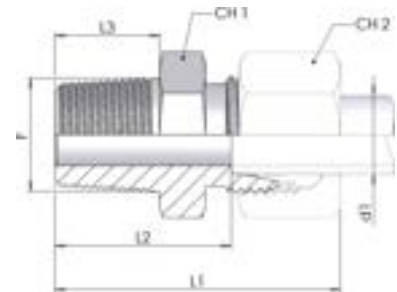
SDS

continue on previous page

Product number	Ø tube	Tipo	W.P.	Dimension						Weight
	mm		bar	F	L1	L2	L3	CH1	CH2	kg/unit
7435-42LR-1NI	42	L	160	G 1 1/2	42	19	22	55	60	0,345
7435-06SR-1NI	6	S	630	G 1/4	28	13	11	19	17	0,034
7435-08SR-1NI	8	S	630	G 1/4	30	15	11	19	19	0,041
7435-10SR-1NI	10	S	630	G 3/8	31	15	12	22	22	0,055
7435-12SR-1NI	12	S	630	G 3/8	33	17	12	22	24	0,061
7435-12SR08-1NI	12	S	630	G 1/2	34	17.5	14	27	24	0,092
7435-14SR-1NI	14	S	630	G 1/2	37	19	14	27	27	0,094
7435-16SR-1NI	16	S	400	G 1/2	37	18.5	14	27	30	0,090
7435-20SR-1NI	20	S	400	G 3/4	42	20.5	16	32	36	0,163
7435-25SR-1NI	25	S	400	G 1	47	23	18	41	46	0,257
7435-30SR-1NI	30	S	250	G 1 1/4	50	23.5	20	50	50	0,403
7435-38SR-1NI	38	S	250	G 1 1/2	57	26	22	55	60	0,555

7450_BT

Male stud connector BSPP tapered thread (Form C DIN 3852-2)SDS

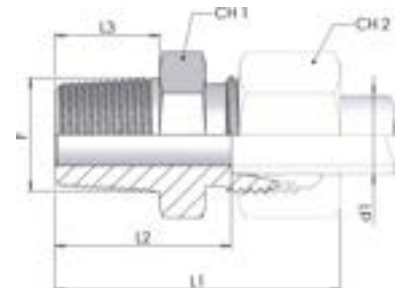


Product number	Ø tube	Tipo	W.P.	Thread	Dimension					Weight
	mm				bar	F	L1	L2	L3	
7450-04LLR-1NI	4	LL	100	R 1/8 K	26.5	17	9	12	10	0,008
7450-06LLR-1NI	6	LL	100	R 1/8 K	26.5	15.5	9	12	12	0,009
7450-08LLR-1NI	8	LL	100	R 1/8 K	28.5	17.5	9	12	14	0,009
7450-06LR-1NI	6	L	315	R 1/8 K	30	16	9	12	14	0,012
7450-06LR04-1NI	6	L	315	R 1/4 K	34.5	20	12	14	14	0,019
7450-08LR-1NI	8	L	315	R 1/4 K	35	20	12	17	17	0,022
7450-10LR-1NI	10	L	315	R 1/4 K	36	21	12	17	19	0,023
7450-12LR04-1NI	12	L	315	R 1/4 K	36.5	22	12	19	22	0,028
7450-12LR-1NI	12	L	315	R 3/8 K	36.5	22	12	19	22	0,033
7450-12LR08-1NI	12	L	315	R 1/2 K	38.5	24	14	22	22	0,055
7450-15LR-1NI	15	L	315	R 1/2 K	40	25	14	24	27	0,058
7450-18LR-1NI	18	L	315	R 1/2 K	42	25.5	14	27	32	0,064
7450-22LR-1NI	22	L	160	R 3/4 K	46	29.5	16	32	36	0,096
7450-28LR-1NI	28	L	160	R 1 K	49	32.5	18	41	41	0,156

Seal type: conical thread (ASME B1.20.1)

7450_M

Male stud connector Metric fine tapered thread (Form C DIN 3852-1)SDS

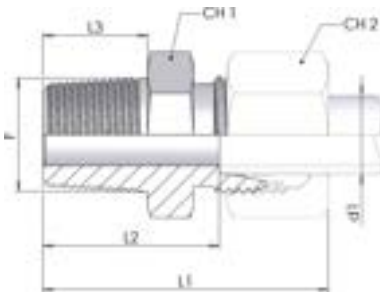


SDS

Product number	Ø tube	Tipo	W.P.	Thread	Dimension					Weight
	mm				bar	F	L1	L2	L3	
7450-04LLM-1NI	4	LL	100	M 8x1K	26.5	16	8	12	10	0,006
7450-06LLM-1NI	6	LL	100	M 10x1K	26.5	14.5	8	12	12	0,008
7450-08LLM-1NI	8	LL	100	M 10x1K	28.5	16.5	8	12	14	0,010

Seal type: conical thread (ASME B1.20.1)

7450_NP



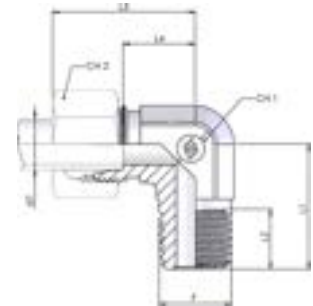
Male connector NPTF tapered thread SDS

Product number	Ø tube	Tipo	W.P.	Thread	Dimension					Weight
	mm				F	L1	L2	L3	CH1	
7450-06LN-1NI	6	L	315	1/8 NPTF	31.5	17	10	12	14	0,012
7450-06LN04-1NI	6	L	315	1/4 NPTF	38	23	15	17	14	0,026
7450-08LN-1NI	8	L	315	1/4 NPTF	38	23	15	17	17	0,025
7450-10LN-1NI	10	L	315	1/4 NPTF	39	24	15	17	19	0,025
7450-10LN06-1NI	10	L	315	3/8 NPTF	40	25	15	19	19	0,037
7450-12LN04-1NI	12	L	315	1/4 NPTF	39.5	25	15	19	22	0,032
7450-12LN-1NI	12	L	315	3/8 NPTF	39.5	25	15	19	22	0,036
7450-12LN08-1NI	12	L	315	1/2 NPTF	44.5	30	19.5	22	22	0,064
7450-15LN-1NI	15	L	315	1/2 NPTF	46	31	19.5	24	27	0,068
7450-18LN-1NI	18	L	315	1/2 NPTF	48	31.5	19.5	27	32	0,072
7450-22LN-1NI	22	L	160	3/4 NPTF	50	33.5	20	32	36	0,101
7450-28LN-1NI	28	L	160	1 NPTF	56	39.5	25	41	41	0,172
7450-35LN-1NI	35	L	160	1 1/4 NPTF	62	40.5	25.5	46	50	0,256
7450-42LN-1NI	42	L	160	1 1/2 NPTF	65	42	26	55	60	0,352
7450-06SN-1NI	6	S	630	1/4 NPTF	41	26	15	17	17	0,033
7450-08SN-1NI	8	S	630	1/4 NPTF	43	28	15	17	19	0,038
7450-10SN04-1NI	10	S	630	1/4 NPTF	44	25.5	13	19	22	0,043
7450-10SN-1NI	10	S	630	3/8 NPTF	43.5	27.5	15	19	22	0,048
7450-12SN04-1NI	12	S	630	1/4 NPTF	46	27.5	13	22	24	0,058
7450-12SN-1NI	12	S	630	3/8 NPTF	45.5	29.5	15	22	24	0,062
7450-12SN08-1NI	12	S	630	1/2 NPTF	50.5	34.5	19.5	22	24	0,090
7450-14SN-1NI	14	S	630	1/2 NPTF	54	36	19.5	24	27	0,099
7450-16SN-1NI	16	S	400	1/2 NPTF	54	35.5	19.5	27	30	0,094
7450-20SN-1NI	20	S	400	3/4 NPTF	59	37.5	20	32	36	0,149
7450-25SN-1NI	25	S	400	1 NPTF	69	45	25	41	46	0,250
7450-30SN-1NI	30	S	400	1 1/4 NPTF	73	46.5	25.5	46	50	0,393
7450-38SN-1NI	38	S	315	1 1/2 NPTF	80	49	26	55	60	0,572

Seal type: conical thread (ASME B1.20.1)

7460_BS

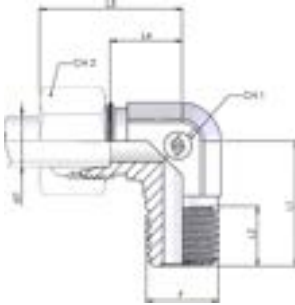
Male stud elbow connector BSPT tapered thread (Form C DIN 3852-2) SDE



Product number	Ø tube	Tipo	W.P.	Dimension							Weight
	mm			F	L1	L2	L3	L4	CH1	CH2	
7460-06LR-1NI	6	L	315	R 1/8 K	19.5	8	27	12	12	14	0,027
7460-06LR04-1NI	6	L	315	R 1/4 K	27.5	12	29	14	12	14	0,035
7460-08LR02-1NI	8	L	315	R 1/8 K	22	8	29	14	12	17	0,035
7460-08LR-1NI	8	L	315	R 1/4 K	27.5	12	29	14	12	17	0,030
7460-10LR-1NI	10	L	315	R 1/4 K	27.5	12	30	15	14	19	0,040
7460-08LR06-1NI	08	L	315	R 3/8 K	28	12	31	16	14	17	0,055
7460-10LR06-1NI	10	L	315	R 3/8 K	28	12	32	17	14	19	0,056
7460-12LR04-1NI	12	L	315	R 1/4 K	29	12	32	17	17	22	0,070
7460-12LR-1NI	12	L	315	R 3/8 K	29.5	12	32	17	17	22	0,072
7460-12LR08-1NI	12	L	315	R 1/2 K	34	14	34	20	19	22	0,097
7460-15LR06-1NI	15	L	315	R 3/8 K	30	12	36	21	19	27	0,09
7460-15LR-1NI	15	L	315	R 1/2 K	36	14	36	21	19	27	0,095
7460-18LR-1NI	18	L	315	R 1/2 K	36	14	40	23.5	24	32	0,126
7460-22LR-1NI	22	L	160	R 3/4 K	40.5	17	44	27.5	27	36	0,212
7460-06SR-1NI	6	S	630	R 1/4 K	27.5	12	31	16	12	17	0,045
7460-08SR-1NI	8	S	630	R 1/4 K	27.5	12	32	17	14	19	0,055
7460-10SR-1NI	10	S	630	R 3/8 K	29.5	12	34	17.5	17	22	0,085
7460-12SR-1NI	12	S	630	R 3/8 K	29.5	12	38	21.5	17	24	0,080
7460-12SR08-1NI	12	S	630	R 1/2 K	36	14	37	20.5	19	24	0,105
7460-14SR-1NI	14	S	630	R 1/2 K	36	14	40	22	19	27	0,105
7460-16SR-1NI	16	S	400	R 1/2 K	36	14	43	24.5	24	30	0,139
7460-20SR-1NI	20	S	400	R 3/4 K	40.5	17	48	26.5	27	36	0,239

Seal type: conical thread (ASME B1.20.1)

7460_M



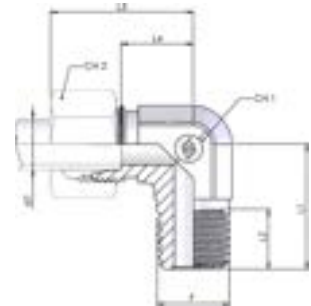
Male stud elbow connector Metric fine tapered thread (Form C DIN 3852-1) SDE

Product number	Ø tube	Tipo	W.P.	Dimension								Weight kg/unit
	mm			F	L1	L2	L3	L4	CH1	CH2		
7460-06LM-1NI	6	L	315	M 10x1,5 K	20	8	27	12	12	14	0,029	
7460-08LM-1NI	8	L	315	M 12x1,5 K	26	12	29	14	12	17	0,043	
7460-10LM-1NI	10	L	315	M 14x1,5 K	27	12	30	15	14	19	0,062	
7460-12LM-1NI	12	L	315	M 16x1,5 K	28	12	32	17	17	22	0,085	
7460-15LM-1NI	15	L	315	M 18x1,5 K	32	12	36	21	19	27	0,083	
7460-18LM-1NI	18	L	315	M 22x1,5 K	36	14	40	23,5	24	32	0,130	
7460-06SM-1NI	6	S	630	M 12x1,5 K	26	12	31	16	12	17	0,052	
7460-08SM-1NI	8	S	630	M 14x1,5 K	27	12	32	17	14	19	0,074	
7460-10SM-1NI	10	S	630	M 16x1,5 K	28	12	34	17,5	17	22	0,090	
7460-12SM-1NI	12	S	630	M 18x1,5 K	28	12	38	21,5	17	24	0,100	
7460-14SM-1NI	14	S	630	M 20x1,5 K	32	14	40	22	19	27	0,104	
7460-16SM-1NI	16	S	400	M 22x1,5 K	32	14	43	24,5	24	30	0,145	

Seal type: conical thread (ASME B1.20.1)

7460_NP

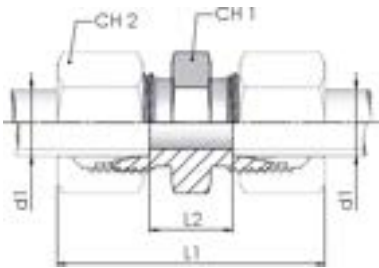
Male stud elbow - NPTF tapered thread (ISO 8434-1) SDE



Product number	Ø tube	Tipo	W.P.	Dimension							Weight kg/unit
	mm			F	L1	L2	L3	L4	CH1	CH2	
7460-06LN-1NI	6	L	315	1/8 NPTF	20	10	27	12	12	14	0,030
7460-06LN04-1NI	06	L	315	1/4 NPTF	26	15	29	14	12	14	0,035
7460-08LN-1NI	8	L	315	1/4 NPTF	26	15	29	14	12	17	0,036
7460-10LN-1NI	10	L	315	1/4 NPTF	27	15	30	15	14	19	0,049
7460-12LN04-1NI	12	L	315	1/4 NPTF	28	15	32	17	17	22	0,071
7460-12LN-1NI	12	L	315	3/8 NPTF	28	15	32	17	17	22	0,075
7460-15LN-1NI	15	L	315	1/2 NPTF	34	19.5	36	21	19	27	0,090
7460-18LN-1NI	18	L	315	1/2 NPTF	36	19.5	40	23.5	24	32	0,129
7460-22LN-1NI	22	L	160	3/4 NPTF	42	20	44	27.5	27	36	0,174
7460-28LN-1NI	28	L	160	1 NPTF	48	25	47	30.6	36	41	0,285
7460-06SN-1NI	6	S	630	1/4 NPTF	26	15	31	16	12	17	0,046
7460-08SN-1NI	8	S	630	1/4 NPTF	27	15	32	17	14	19	0,057
7460-10SN-1NI	10	S	630	3/8 NPTF	28	15	34	17.5	17	22	0,075
7460-12SN-1NI	12	S	630	3/8 NPTF	28	15	38	21.5	17	24	0,076
7460-14SN-1NI	14	S	630	1/2 NPTF	34	19.5	40	22	19	27	0,104
7460-16SN-1NI	16	S	400	1/2 NPTF	36	19.5	43	24.5	24	30	0,146

note: Seal type: conical thread (ASME B1.20.1)

7500



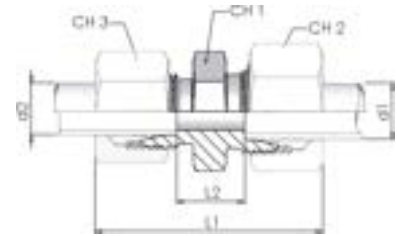
Straight union (ISO 8434-1)S

Product number	Ø tube	Tipo	W.P.	Dimension				Weight
	mm			bar	L1	L2	CH1	
7500-04LL-1NI	4	LL	100	31	12	12	10	0,005
7500-06LL-1NI	6	LL	100	32	9	12	11	0,007
7500-08LL-1NI	8	LL	100	35	12	12	14	0,010
7500-06L-1NI	6	L	315	39	10	12	14	0,012
7500-08L-1NI	8	L	315	40	11	14	17	0,016
7500-10L-1NI	10	L	315	42	13	17	19	0,022
7500-12L-1NI	12	L	315	43	14	19	22	0,028
7500-15L-1NI	15	L	315	46	16	24	27	0,049
7500-18L-1NI	18	L	315	48	16	27	32	0,067
7500-22L-1NI	22	L	160	52	20	32	36	0,088
7500-28L-1NI	28	L	160	54	21	41	41	0,136
7500-35L-1NI	35	L	160	63	20	46	50	0,210
7500-42L-1NI	42	L	160	66	21	55	60	0,294
7500-06S-1NI	6	S	630	45	16	14	17	0,025
7500-08S-1NI	8	S	630	47	18	17	19	0,037
7500-10S-1NI	10	S	630	49	17	19	22	0,043
7500-12S-1NI	12	S	630	51	19	22	24	0,059
7500-14S-1NI	14	S	630	57	22	24	27	0,075
7500-16S-1NI	16	S	400	57	21	27	30	0,087
7500-20S-1NI	20	S	400	66	23	32	36	0,142
7500-25S-1NI	25	S	400	74	26	41	46	0,250
7500-30S-1NI	30	S	250	80	27	46	50	0,323
7500-38S-1NI	38	S	250	90	29	55	60	0,538

7510

Straight reducer (ISO 8434-1)

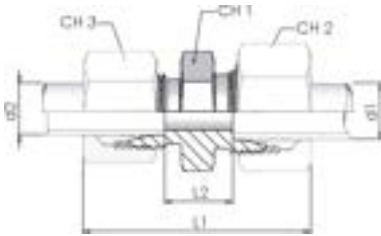
S



Product number	Ø tube		Tipo	W.P.	Dimension					Weight kg/unit
	d1 mm	bar			L1	d2 mm	L2	CH1	CH2	
7510-08/06L-1NI	8	L 315	40.5	6	11	14	17	14	0,015	
7510-10/06L-1NI	10	L 315	41.5	6	12	17	19	14	0,020	
7510-10/08L-1NI	10	L 315	42	8	12	17	19	17	0,021	
7510-12/06L-1NI	12	L 315	42	6	13	19	22	14	0,025	
7510-12/08L-1NI	12	L 315	42.5	8	13	19	22	17	0,026	
7510-12/10L-1NI	12	L 315	43.5	10	14	19	22	19	0,027	
7510-15/10L-1NI	15	L 315	45	10	15	24	27	19	0,041	
7510-15/12L-1NI	15	L 315	44.5	12	15	24	27	22	0,042	
7510-18/10L-1NI	18	L 315	47	10	15.5	27	32	19	0,056	
7510-18/12L-1NI	18	L 315	46.5	12	15.5	27	32	22	0,057	
7510-18/15L-1NI	18	L 315	48	15	16.5	27	32	27	0,061	
7510-22/12L-1NI	22	L 160	48.5	12	17.5	32	36	22	0,076	
7510-22/15L-1NI	22	L 160	50	15	18.5	32	36	27	0,081	
7510-22/18L-1NI	22	L 160	51	18	18	32	36	32	0,086	
7510-28/18L-1NI	28	L 160	52	18	19	41	41	32	0,123	
7510-28/22L-1NI	28	L 160	54	22	21	41	41	36	0,132	
7510-35/22L-1NI	35	L 160	59	22	21	46	50	36	0,190	
7510-35/28L-1NI	35	L 160	59	28	21	46	50	41	0,190	
7510-08/06S-1NI	8	S 630	48	6	18	17	19	17	0,034	
7510-10/06S-1NI	10	S 630	48.5	6	17.5	19	22	17	0,040	

continue on next page

7510



Straight reducer (ISO 8434-1)

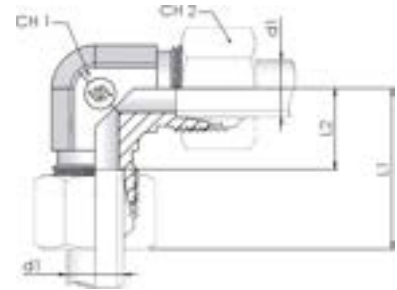
S

continue on previous page

Product number	Ø tube		Tipo	W.P.	Dimension					Weight
	d1 mm	bar			L1	d2 mm	L2	CH1	CH2	
7510-10/085-1NI	10	S	630	48.5	8	17.5	19	22	19	0,042
7510-12/065-1NI	12	S	630	50.5	6	19.5	22	24	17	0,054
7510-12/085-1NI	12	S	630	50.5	8	19.5	22	24	19	0,056
7510-12/105-1NI	12	S	630	51	10	19	22	24	22	0,058
7510-14/105-1NI	14	S	630	54.5	10	20.5	24	27	22	0,069
7510-14/125-1NI	14	S	630	54.5	12	20.5	24	27	24	0,070
7510-16/125-1NI	16	S	400	54.5	12	20	27	30	24	0,080
7510-16/145-1NI	16	S	400	58	14	21.5	27	30	27	0,087
7510-20/105-1NI	20	S	400	59.5	10	22	32	36	22	0,122
7510-20/125-1NI	20	S	400	59.5	12	22	32	36	24	0,125
7510-20/165-1NI	20	S	400	63	16	23	32	36	30	0,129
7510-25/165-1NI	25	S	400	68	16	25.5	41	46	30	0,220
7510-25/205-1NI	25	S	400	71	20	25.5	41	46	36	0,232
7510-30/205-1NI	30	S	400	74	20	26	46	50	36	0,294
7510-30/255-1NI	30	S	400	77	25	26.5	46	50	46	0,311
7510-38/305-1NI	38	S	315	87	30	29.5	55	60	50	0,488

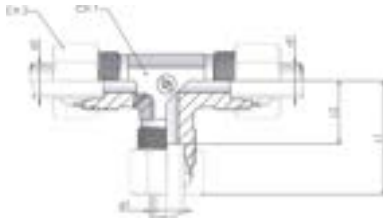
7520

Union elbow (ISO 8434-1) E



Product number	Ø tube	Tipo	W.P.	Dimension				Weight
	mm			bar	L1	L2	CH1	
7520-06L-1NI	6	L	315	27	12	12	14	0,028
7520-08L-1NI	8	L	315	29	14	12	17	0,032
7520-10L-1NI	10	L	315	30	15	14	19	0,041
7520-12L-1NI	12	L	315	32	17	17	22	0,056
7520-15L-1NI	15	L	315	36	21	19	27	0,074
7520-18L-1NI	18	L	315	40	23.5	24	32	0,119
7520-22L-1NI	22	L	160	44	27.5	27	36	0,152
7520-28L-1NI	28	L	160	47	30.5	36	41	0,251
7520-35L-1NI	35	L	160	56	34.5	41	50	0,431
7520-42L-1NI	42	L	160	63	40	50	60	0,782
7520-06S-1NI	6	S	630	31	16	12	17	0,035
7520-08S-1NI	8	S	630	32	17	14	19	0,052
7520-10S-1NI	10	S	630	34	17.5	17	22	0,072
7520-12S-1NI	12	S	630	38	21.5	17	24	0,075
7520-14S-1NI	14	S	630	40	22	19	27	0,104
7520-16S-1NI	16	S	400	43	24.5	24	30	0,127
7520-20S-1NI	20	S	400	48	26.5	27	36	0,205
7520-25S-1NI	25	S	400	54	30	36	46	0,349
7520-30S-1NI	30	S	400	62	35.5	41	50	0,588
7520-38S-1NI	38	S	315	72	41	50	60	1,031

7000

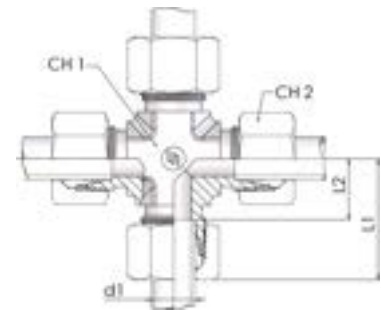


Union tee (ISO 8434-1) T

Product number	Ø tube	Tipo	W.P.	Dimension				Weight
	mm			bar	L1	L2	CH1	
7000-06L-1NI	6	L	315	27	12	12	14	0,037
7000-08L-1NI	8	L	315	29	14	12	17	0,043
7000-10L-1NI	10	L	315	30	15	14	19	0,048
7000-12L-1NI	12	L	315	32	17	17	22	0,065
7000-15L-1NI	15	L	315	36	21	19	27	0,106
7000-18L-1NI	18	L	315	40	23.5	24	32	0,179
7000-22L-1NI	22	L	160	44	27.5	27	36	0,225
7000-28L-1NI	28	L	160	47	30.5	36	41	0,396
7000-35L-1NI	35	L	160	56	34.5	41	50	0,567
7000-42L-1NI	42	L	160	63	40	50	60	0,905
7000-06S-1NI	6	S	630	31	16	12	17	0,068
7000-08S-1NI	8	S	630	32	17	14	19	0,070
7000-10S-1NI	10	S	630	34	17.5	17	22	0,091
7000-12S-1NI	12	S	630	38	21.5	17	24	0,117
7000-14S-1NI	14	S	630	40	22	19	27	0,136
7000-16S-1NI	16	S	400	16	43	24	24	0,202
7000-20S-1NI	20	S	400	20	48	27	27	0,289
7000-25S-1NI	25	S	400	25	54	36	36	0,545
7000-30S-1NI	30	S	400	30	62	41	41	0,758
7000-38S-1NI	38	S	315	38	72	50	50	1,264

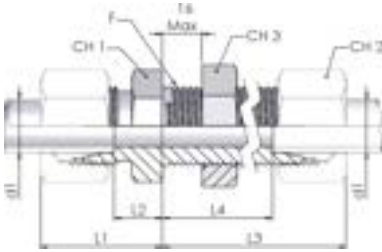
7010

Union cross (ISO 8434-1) K



Product number	Ø tube	Tipo	W.P.	Dimension				Weight
	mm			bar	L1	L2	CH1	
7010-06L-1NI	6	L	315	27	12	14	14	0,039
7010-08L-1NI	8	L	315	29	14	14	17	0,066
7010-10L-1NI	10	L	315	30	15	14	19	0,072
7010-12L-1NI	12	L	315	32	17	19	22	0,102
7010-15L-1NI	15	L	315	36	21	19	27	0,127
7010-18L-1NI	18	L	315	40	23.5	27	32	0,188
7010-22L-1NI	22	L	160	44	27.5	27	36	0,210
7010-06S-1NI	6	S	630	31	16	14	17	0,066
7010-08S-1NI	8	S	630	32	17	14	19	0,081
7010-10S-1NI	10	S	630	34	17.5	19	22	0,127
7010-12S-1NI	12	S	630	38	21.5	19	24	0,169
7010-16S-1NI	16	S	400	43	24.5	27	30	0,260
7010-20S-1NI	20	S	400	48	26.5	27	36	0,294

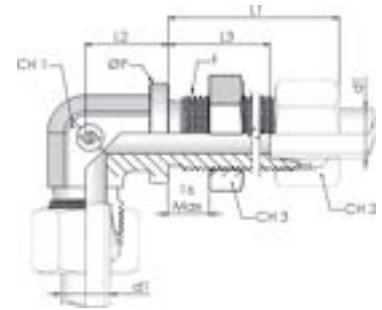
7020



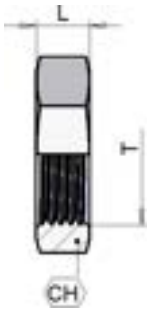
Bulkhead union (ISO 8434-1) BHSLN

Product number	Ø tube	Tipo	W.P. bar	Thread F	Dimension							Weight kg/unit
	mm				L1	L2	L3	L4	CH1	CH2	CH3	
7020-06L-1NI	6	L	315	M 12x1,5	22	7	42	27	17	14	17	0,038
7020-08L-1NI	8	L	315	M 14x1,5	23	8	42	27	19	17	19	0,049
7020-10L-1NI	10	L	315	M 16x1,5	25	10	43	28	22	19	22	0,066
7020-12L-1NI	12	L	315	M 18x1,5	25	10	44	29	24	22	24	0,076
7020-15L-1NI	15	L	315	M 22x1,5	27	12	46	31	27	27	30	0,128
7020-18L-1NI	18	L	315	M 26x1,5	30	13.5	49	32.5	32	32	36	0,199
7020-22L-1NI	22	L	160	M 30x2	33	16.5	51	34.5	36	36	41	0,248
7020-28L-1NI	28	L	160	M 36x2	35	18.5	52	35.5	41	41	46	0,338
7020-35L-1NI	35	L	160	M 45x2	40	18.5	58	36.5	50	50	55	0,539
7020-42L-1NI	42	L	160	M 52x2	42	19	59	36	60	60	65	0,756
7020-06S-1NI	6	S	630	M 14x1,5	27	12	44	29	19	17	19	0,065
7020-08S-1NI	8	S	630	M 16x1,5	28	13	44	29	22	19	22	0,087
7020-10S-1NI	10	S	630	M 18x1,5	31	14.5	46	29.5	24	22	24	0,110
7020-12S-1NI	12	S	630	M 20x1,5	31	14.5	47	30.5	27	24	27	0,139
7020-14S-1NI	14	S	630	M 22x1,5	35	17	50	32	30	27	30	0,178
7020-16S-1NI	16	S	400	M 24x1,5	35	16.5	50	31.5	32	30	32	0,197
7020-20S-1NI	20	S	400	M 30x2	39	17.5	55	33.5	41	36	41	0,345
7020-25S-1NI	25	S	400	M 36x2	44	20	59	35	46	46	46	0,492
7020-30S-1NI	30	S	400	M 42x2	48	21.5	64	37.5	50	50	50	0,617
7020-38S-1NI	38	S	315	M 52x2	53	22	68	30	65	60	65	1,080

Bulkhead elbow (ISO 8434-1) BHELN



Product number	Ø tube	Tipo	W.P.	Thread	Dimension						Dimensions	Weight
	mm				bar	F	L1	L2	L3	ØP	CH1	
7130-06L-1NI	6	L	315	M 12x1,5	42	14	27	17	12	14	17	0,049
7130-08L-1NI	8	L	315	M 14x1,5	42	17	27	19	12	17	19	0,061
7130-10L-1NI	10	L	315	M 16x1,5	43	18	28	22	14	19	22	0,079
7130-12L-1NI	12	L	315	M 18x1,5	44	20	29	24	17	22	24	0,096
7130-15L-1NI	15	L	315	M 22x1,5	46	23	31	27	19	27	30	0,169
7130-18L-1NI	18	L	315	M 26x1,5	49	24	32.5	32	24	32	36	0,255
7130-22L-1NI	22	L	160	M 30x2	51	30	34.5	36	27	36	41	0,318
7130-28L-1NI	28	L	160	M 36x2	52	34	35.5	42	36	41	46	0,462
7130-06S-1NI	6	S	630	M 14x1,5	44	17	29	19	12	17	19	0,076
7130-08S-1NI	8	S	630	M 16x1,5	44	18	29	22	14	19	22	0,102
7130-10S-1NI	10	S	630	M 18x1,5	46	20	29.5	24	17	22	24	0,124
7130-12S-1NI	12	S	630	M 20x1,5	47	21	30.5	27	17	24	27	0,160
7130-14S-1NI	14	S	630	M 22x1,5	50	23	32	27	19	27	30	0,196
7130-16S-1NI	16	S	400	M 24x1,5	50	24	31.5	30	24	30	32	0,238
7130-20S-1NI	20	S	400	M 30x2	55	30	33.5	36	27	36	41	0,399
7130-25S-1NI	25	S	400	M 36x2	59	34	35	42	36	46	46	0,609

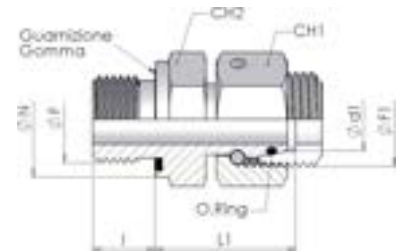
M107**Bulkhead locknut****LN**

Product number	Dimension			Weight kg/unit
	T	CH	L	
M107-12NI	M12x1,5	17	6	0,006
M107-14NI	M14x1,5	19	6	0,008
M107-16NI	M16x1,5	22	6	0,011
M107-18NI	M18x1,5	24	6	0,013
M107-20NI	M20x1,5	27	6	0,015
M107-22NI	M22x1,5	30	7	0,022
M107-24NI	M24x1,5	32	7	0,024
M107-26NI	M26x1,5	36	8	0,036
M107-30NI	M30x2	41	8	0,048
M107-36NI	M36x2	46	9	0,059
M107-42NI	M42x2	50	9	0,059
M107-45NI	M45x2	55	9	0,076
M107-52NI	M52x2	65	10	0,125

7360_BS

Swivel connector BSPP thread with Elastomeric Sealing (Form E ISO 1179-2)

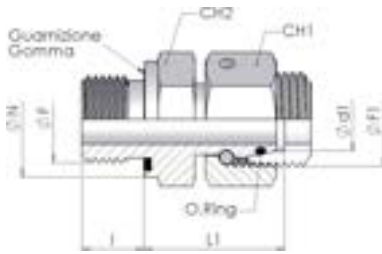
SWOSDS



Product number	Ø tube	Tipo	W.P.	Dimension							Weight kg/unit
	(D1) mm			bar	L1	OF	I	CH2	ON	OF1	
7360-06LRNI	6	L	315	24.5	1/8"	8	14	14	M12x1,5	14	0,026
7360-08LRNI	8	L	315	29.5	1/4"	12	19	19	M14x1,5	17	0,057
7360-10LRNI	10	L	315	27.5	1/4"	12	19	19	M16x1,5	19	0,056
7360-10LR06NI	10	L	400	28	3/8"	12	22	22	M16x1,5	19	0,07
7360-12LR04NI	12	L	315	27.5	1/4"	12	19	19	M18x1,5	19	0,069
7360-12LRNI	12	L	315	34	3/8"	12	22	22	M18x1,5	22	0,096
7360-12LR08NI	12	L	315	32	1/2"	14	27	22	M18x1,5	27	0,118
7360-15LRNI	15	L	315	32	1/2"	14	27	27	M22x1,5	27	0,141
7360-18LRNI	18	L	315	31.5	1/2"	14	27	27	M26x1,5	32	0,144
7360-22LRNI	22	L	160	32.5	3/4"	16	32	32	M30x2	36	0,201
7360-28LRNI	28	L	160	35	1"	18	41	40	M36x2	41	0,293
7360-35LRNI	35	L	160	42.5	1" 1/4	20	50	50	M45x2	50	0,509
7360-42LRNI	42	L	160	46.5	1" 1/2	22	55	55	M52x2	60	0,722
7360-06SRNI	6	S	630	27	1/4"	12	19	19	M14x1,5	17	0,054
7360-08SRNI	8	S	630	29.5	1/4"	12	19	19	M16x1,5	19	0,064
7360-10SRNI	10	S	630	32	3/8"	12	22	22	M18x1,5	22	0,094
7360-12SR04NI	12	S	630	30	1/4"	12	19	19	M20x1,5	24	0,077
7360-12SRNI	12	S	630	34	3/8"	12	22	22	M20x1,5	24	0,100
7360-12SR08NI	12	S	630	35.5	1/2"	14	27	27	M20x1,5	24	0,145
7360-14SRNI	14	S	630	36.5	1/2"	14	27	27	M22x1,5	27	0,164
7360-16SRNI	16	S	400	37	1/2"	14	27	27	M24x1,5	30	0,171
7360-20SRNI	20	S	400	43	3/4"	16	32	32	M30x2	36	0,272
7360-25SRNI	25	S	400	48	1"	18	41	40	M36x2	46	0,506
7360-30SRNI	30	S	400	51	1" 1/4	20	50	50	M42x2	50	0,685
7360-38SRNI	38	S	315	60	1" 1/2	22	55	55	M52x2	60	0,955

DKO with standard seal: FKM / Optional seal: NBR, EPDM

7360_M



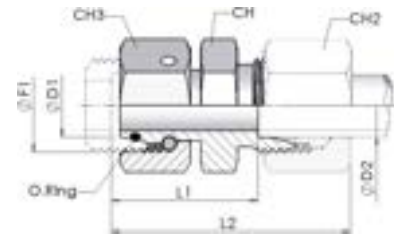
Swivel connector Metric fine thread with Elastomeric Sealing (Form E ISO 9974-2) SWOSDS

Product number	Ø tube	Tipo	W.P.	Dimension							Weight
	(D1) mm			bar	L1	OF	I	CH2	ON	OF1	
7360-06LMNI	6	L	315	24.5	M10x1	8	14	14	M12x1,5	14	0,026
7360-08LMNI	8	L	315	26.5	M12x1,5	12	17	17	M14x1,5	17	0,044
7360-10LMNI	10	L	315	27.5	M14x1,5	12	19	19	M16x1,5	19	0,057
7360-12LMNI	12	L	315	30.5	M16x1,5	12	22	22	M18x1,5	22	0,083
7360-15LMNI	15	L	315	31.5	M18x1,5	12	24	24	M22x1,5	27	0,119
7360-18LMNI	18	L	315	31.5	M22x1,5	14	27	27	M26x1,5	32	0,153
7360-22LMNI	22	L	160	32.5	M26x1,5	16	32	32	M30x2	36	0,202
7360-28LMNI	28	L	160	35	M33x2	18	41	40	M36x2	41	0,286
7360-35LMNI	35	L	160	42.5	M42x2	20	50	50	M45x2	50	0,500
7360-42LMNI	42	L	160	46.5	M48x2	22	55	55	M52x2	60	0,716
7360-06SMNI	6	S	630	27	M12x1,5	12	17	17	M14x1,5	17	0,047
7360-08SMNI	8	S	630	29.5	M14x1,5	12	19	19	M16x1,5	19	0,064
7360-10SMNI	10	S	630	32	M16x1,5	12	22	22	M18x1,5	22	0,090
7360-12SMNI	12	S	630	34	M18x1,5	12	24	24	M20x1,5	24	0,111
7360-14SMNI	14	S	630	36.5	M20x1,5	14	27	26	M22x1,5	27	0,157
7360-16SMNI	16	S	400	37	M22x1,5	14	27	27	M24x1,5	30	0,176
7360-20SMNI	20	S	400	43	M27x2	16	32	32	M30x2	36	0,276
7360-25SMNI	25	S	400	48	M33x2	18	41	40	M36x2	46	0,505
7360-30SMNI	30	S	400	51	M42x2	20	50	50	M42x2	50	0,697
7360-38SMNI	38	S	315	60	M48x2	22	55	55	M52x2	60	0,764

DKO with standard seal: FKM / Optional seal: NBR, EPDM

7370_L

Metric union reducer light series RDSW

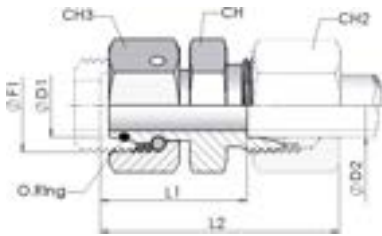


Product number	Tipo	W.P. bar	Dimension									Weight kg/unit
			ØD1	ØD2	L1	L2	CH2	CH3	ØF1	CH		
7370-08/06L-1NI	L	315	8	6	23.5	38	14	17	14x1,5	12	0,029	
7370-10/06L-1NI	L	315	10	6	25	40	14	19	16x1,5	14	0,038	
7370-10/08L-1NI	L	315	10	8	25	40	17	19	16x1,5	14	0,038	
7370-12/06L-1NI	L	315	12	6	25	40	14	22	18x1,5	17	0,050	
7370-12/08L-1NI	L	315	12	8	25	40	17	22	18x1,5	17	0,051	
7370-12/10L-1NI	L	315	12	10	26	41	19	22	18x1,5	17	0,052	
7370-15/06L-1NI	L	315	15	6	28.5	43	14	27	22x1,5	22	0,087	
7370-15/08L-1NI	L	315	15	8	28.5	43	17	27	22x1,5	22	0,088	
7370-15/10L-1NI	L	315	15	10	29.5	44	19	27	22x1,5	22	0,089	
7370-15/12L-1NI	L	315	15	12	29.5	44	22	27	22x1,5	22	0,090	
7370-18/06L-1NI	L	315	18	6	28	43	14	32	26x1,5	24	0,111	
7370-18/08L-1NI	L	315	18	8	28	43	17	32	26x1,5	24	0,111	
7370-18/10L-1NI	L	315	18	10	29	44	19	32	26x1,5	24	0,112	
7370-18/12L-1NI	L	315	18	12	29	44	22	32	26x1,5	24	0,113	
7370-18/15L-1NI	L	315	18	15	30	45	27	32	26x1,5	24	0,118	
7370-22/06L-1NI	L	160	22	6	32	47	14	36	30x2	27	0,154	
7370-22/08L-1NI	L	160	22	8	32	47	17	36	30x2	27	0,155	
7370-22/10L-1NI	L	160	22	10	33	48	19	36	30x2	27	0,157	
7370-22/12L-1NI	L	160	22	12	33	48	22	36	30x2	27	0,161	
7370-22/15L-1NI	L	160	22	15	34	49	27	36	30x2	27	0,162	
7370-22/18L-1NI	L	160	22	18	33.5	50	32	36	30x2	27	0,166	
7370-28/08L-1NI	L	160	28	8	34	49	17	41	36x2	36	0,201	
7370-28/10L-1NI	L	160	28	10	35	50	19	46	36x2	36	0,25	
7370-28/12L-1NI	L	160	28	12	35	50	22	41	36x2	36	0,201	
7370-28/15L-1NI	L	160	28	15	36	51	27	41	36x2	36	0,206	

DKO with standard seal: FKM / Optional seal: NBR, EPDM

continue on next page

7370_L



Metric union reducer light series RDSW

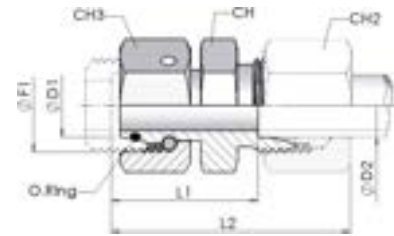
continue on previous page

Product number	Tipo	W.P.	Dimension								Weight
		bar	ØD1	ØD2	L1	L2	CH2	CH3	ØF1	CH	kg/unit
7370-28/18L-1NI	L	160	28	18	36.5	52	32	41	36x2	36	0,210
7370-28/22L-1NI	L	160	28	22	37.5	54	36	41	36x2	36	0,210
7370-35/08L-1NI	L	160	35	8	37	52	17	50	45x2	41	0,306
7370-35/10L-1NI	L	160	35	10	38	53	19	50	45x2	41	0,323
7370-35/12L-1NI	L	160	35	12	38	53	22	50	45x2	41	0,313
7370-35/15L-1NI	L	160	35	15	39	54	27	50	45x2	41	0,316
7370-35/18L-1NI	L	160	35	18	38.5	55	32	50	45x2	41	0,319
7370-35/22L-1NI	L	160	35	22	40.5	57	36	50	45x2	41	0,321
7370-35/28L-1NI	L	160	35	28	40.5	57	41	50	45x2	41	0,323
7370-42/06L-1NI	L	160	42	6	40.5	55	14	60	52x2	50	0,525
7370-42/08L-1NI	L	160	42	8	41	48	17	60	52x2	50	0,52
7370-42/10L-1NI	L	160	42	10	42	56	19	60	52x2	50	0,528
7370-42/12L-1NI	L	160	42	12	41.5	56	22	60	52x2	50	0,518
7370-42/15L-1NI	L	160	42	15	42.5	58	27	60	52x2	50	0,534
7370-42/18L-1NI	L	160	42	18	42	58	32	60	52x2	50	0,527
7370-42/22L-1NI	L	160	42	22	44	60	36	60	52x2	50	0,515
7370-42/28L-1NI	L	160	42	28	44	61	41	60	52x2	50	0,515
7370-42/35L-1NI	L	160	42	35	43	65	50	60	52x2	50	0,531

DKO with standard seal: FKM / Optional seal: NBR, EPDM

7370_S

Metric union reducer heavy series RDSW

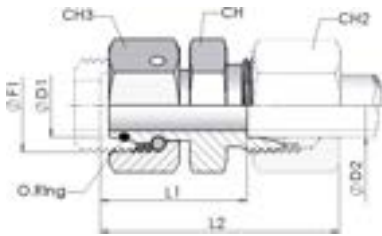


Product number	Tipo	W.P. bar	Dimension								Weight kg/unit
			ØD1	ØD2	L1	L2	CH2	CH3	ØF1	CH	
7370-08/065-1NI	S	630	8	6	27	42	17	19	16x1,5	14	0,043
7370-10/065-1NI	S	630	10	6	27.5	42	17	22	18x1,5	17	0,055
7370-10/085-1NI	S	630	10	8	27.5	42	19	22	18x1,5	17	0,057
7370-12/065-1NI	S	630	12	6	29	44	17	24	20x1,5	19	0,070
7370-12/085-1NI	S	630	12	8	29	44	19	24	20x1,5	19	0,071
7370-12/105-1NI	S	630	12	10	29.5	46	22	24	20x1,5	19	0,073
7370-14/065-1NI	S	630	14	6	31.5	46	17	27	22x1,5	22	0,094
7370-14/085-1NI	S	630	14	8	31.5	46	19	27	22x1,5	22	0,095
7370-14/125-1NI	S	630	14	12	31	47	24	27	22x1,5	22	0,104
7370-16/065-1NI	S	400	16	6	32	47	17	30	24x1,5	22	0,114
7370-16/085-1NI	S	400	16	8	32	47	19	30	24x1,5	22	0,116
7370-16/105-1NI	S	400	16	10	31.5	48	22	30	24x1,5	22	0,117
7370-16/125-1NI	S	400	16	12	31.5	48	24	30	24x1,5	22	0,120
7370-16/145-1NI	S	400	16	14	33	51	27	30	24x1,5	24	0,128
7370-20/065-1NI	S	400	20	6	36	51	17	36	30x2	27	0,170
7370-20/085-1NI	S	400	20	8	36	51	19	36	30x2	27	0,172
7370-20/105-1NI	S	400	20	10	35.5	52	22	36	30x2	27	0,170
7370-20/125-1NI	S	400	20	12	35.5	52	24	36	30x2	27	0,173
7370-20/165-1NI	S	400	20	16	36.5	55	30	36	30x2	27	0,179
7370-25/065-1NI	S	400	25	6	38.5	53	17	46	36x2	36	0,309
7370-25/085-1NI	S	400	25	8	38.5	53	19	46	36x2	36	0,309
7370-25/105-1NI	S	400	25	10	38	54	22	46	36x2	36	0,312
7370-25/125-1NI	S	400	25	12	38	54	24	46	36x2	36	0,313
7370-25/165-1NI	S	400	25	16	39	57	30	46	36x2	36	0,317
7370-25/205-1NI	S	400	25	20	39	61	36	46	36x2	36	0,328

DKO with standard seal: FKM / Optional seal: NBR, EPDM

continue on next page

7370_S



Metric union reducer heavy series RDSW

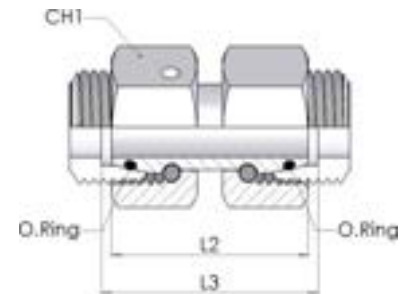
continue on previous page

Product number	Tipo	W.P.	Dimension								Weight
		bar	ØD1	ØD2	L1	L2	CH2	CH3	ØF1	CH	kg/unit
7370-30/085-1NI	S	400	30	8	43.5	60	22	50	42x2	41	0,4
7370-30/105-1NI	S	400	30	10	43.5	60	22	50	42x2	41	0,404
7370-30/125-1NI	S	400	30	12	43.5	60	24	50	42x2	41	0,405
7370-30/165-1NI	S	400	30	16	44.5	63	30	50	42x2	41	0,406
7370-30/205-1NI	S	400	30	20	44.5	66	36	50	42x2	41	0,422
7370-30/255-1NI	S	400	30	25	45	69	46	50	42x2	41	0,448
7370-38/065-1NI	S	315	38	6	47.5	62	17	60	52x2	50	0,576
7370-38/085-1NI	S	315	38	8	47.5	62	19	60	52x2	50	0,578
7370-38/105-1NI	S	315	38	10	47	63	22	60	52x2	50	0,584
7370-38/125-1NI	S	315	38	12	47	63	24	60	52x2	50	0,592
7370-38/165-1NI	S	315	38	16	48	66	30	60	52x2	50	0,592
7370-38/205-1NI	S	315	38	20	48	70	36	60	52x2	50	0,597
7370-38/255-1NI	S	315	38	25	48.5	73	46	60	52x2	50	0,623
7370-38/305-1NI	S	315	38	30	49	76	50	60	52x2	50	0,636

DKO with standard seal: FKM / Optional seal: NBR, EPDM

7380

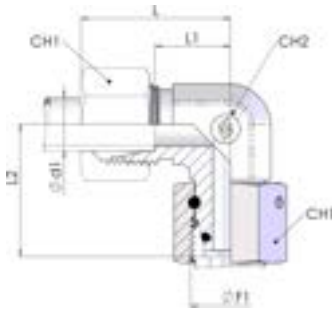
Swivel union (ISO 8434-1) SW20S



Product number	Ø tube	Tipo	W.P.	Dimension			Weight
	mm			bar	L2	L3	
7380-06LNI	6	L	315	34	35	14	0,029
7380-08LNI	8	L	315	34	35	17	0,044
7380-10LNI	10	L	315	36	37	19	0,059
7380-12LNI	12	L	315	36	37	22	0,077
7380-15LNI	15	L	315	39	40	27	0,143
7380-18LNI	18	L	315	40.5	41.5	32	0,180
7380-22LNI	22	L	160	45	46	36	0,250
7380-28LNI	28	L	160	47	48	41	0,312
7380-35LNI	35	L	160	53	56	50	0,480
7380-42LNI	42	L	160	53	57	60	0,745
7380-06SNI	6	S	630	37	38	17	0,045
7380-08SNI	8	S	630	37	38	19	0,060
7380-10SNI	10	S	630	41	43	22	0,085
7380-12SNI	12	S	630	42	44	24	0,104
7380-14SNI	14	S	630	45	48	27	0,156
7380-16SNI	16	S	400	46	49	30	0,186
7380-20SNI	20	S	400	55	59	36	0,295
7380-25SNI	25	S	400	58	65	46	0,560
7380-30SNI	30	S	400	62	71	50	0,685
7380-38SNI	38	S	315	67	82	60	0,995

DKO with standard seal: FKM / Optional seal: NBR, EPDM

7330



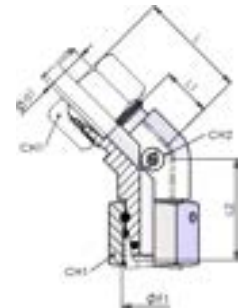
Swivel elbow (ISO 8434-1) SWOE

Product number	Ø tube	Tipo	W.P.	Dimension						Weight
	(D1) mm			bar	L	L1	L2	ØF1	CH1	
7330-06L-1NI	6	L	315	27	12	26	M12x1,5	14	12	0,041
7330-08L-1NI	8	L	315	29	14	27.5	M14x1,5	17	12	0,062
7330-10L-1NI	10	L	315	30	15	29	M16x1,5	19	14	0,053
7330-12L-1NI	12	L	315	32	17	29.5	M18x1,5	22	17	0,101
7330-15L-1NI	15	L	315	36	21	32.5	M22x1,5	27	19	0,129
7330-18L-1NI	18	L	315	40	23.5	35.5	M26x1,5	32	24	0,186
7330-22L-1NI	22	L	160	44	27.5	38.5	M30x2	36	27	0,253
7330-28L-1NI	28	L	160	47	30.5	41.5	M36x2	41	36	0,342
7330-35L-1NI	35	L	160	56	34.5	51	M45x2	50	41	0,574
7330-42L-1NI	42	L	160	63	40	56	M52x2	60	50	1,030
7330-06S-1NI	6	S	630	31	16	27	M14x1,5	17	12	0,062
7330-08S-1NI	8	S	630	32	17	27.5	M16x1,5	19	14	0,085
7330-10S-1NI	10	S	630	34	17.5	30	M18x1,5	22	17	0,122
7330-12S-1NI	12	S	630	38	21.5	31	M20x1,5	24	17	0,108
7330-14S-1NI	14	S	630	40	22	35	M22x1,5	27	19	0,149
7330-16S-1NI	16	S	400	43	24.5	36.5	M24x1,5	30	24	0,201
7330-20S-1NI	20	S	400	48	26.5	44.5	M30x2	36	27	0,305
7330-25S-1NI	25	S	400	54	30	50	M36x2	46	36	0,554
7330-30S-1NI	30	S	400	62	35.5	55	M42x2	50	41	0,779
7330-38S-1NI	38	S	315	72	41	63	M52x2	60	50	1,186

DKO with standard seal: FKM / Optional seal: NBR, EPDM

7335

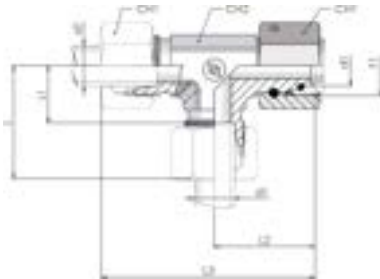
Swivel 45° elbow (ISO 8434-1) SWOE45



Product number	Ø tube	Tipo	W.P.	Dimension							Weight
	(D1) mm			bar	L	L1	L2	ØF1	CH1	CH2	
7335-06L-1NI	6	L	315	24	9	24	M12x1,5	14	12	0,069	
7335-08L-1NI	8	L	315	27	12	26	M14x1,5	17	12	0,075	
7335-10L-1NI	10	L	315	27	12	27	M16x1,5	19	14	0,078	
7335-12L-1NI	12	L	315	29	14	28	M18x1,5	22	19	0,086	
7335-15L-1NI	15	L	315	31	16	31	M22x1,5	27	22	0,126	
7335-18L-1NI	18	L	315	33.5	17	34	M26x1,5	32	27	0,178	
7335-22L-1NI	22	L	160	35	18.5	37	M30x2	36	27	0,236	
7335-28L-1NI	28	L	160	39	22.5	37	M36x2	41	36	0,336	
7335-35L-1NI	35	L	160	44	22.5	41.5	M45x2	50	41	0,546	
7335-42L-1NI	42	L	160	49	27	53	M52x2	60	50	0,841	
7335-06S-1NI	6	S	630	25	16	25	M14x1,5	17	12	0,073	
7335-08S-1NI	8	S	630	27	16	26	M16x1,5	19	14	0,082	
7335-10S-1NI	10	S	630	29	16.5	28	M18x1,5	22	19	0,095	
7335-12S-1NI	12	S	630	33	16.5	29	M20x1,5	24	19	0,112	
7335-14S-1NI	14	S	630	34	16	30	M22x1,5	27	22	0,136	
7335-16S-1NI	16	S	400	35	16.5	34	M24x1,5	30	27	0,188	
7335-20S-1NI	20	S	400	39	17.5	41	M30x2	36	27	0,286	
7335-25S-1NI	25	S	400	43	19	39.5	M36x2	46	36	0,523	
7335-30S-1NI	30	S	400	50	23.5	42.5	M42x2	50	41	0,697	
7335-38S-1NI	38	S	315	55	27	58	M52x2	60	50	1,067	

DKO with standard seal: FKM / Optional seal: NBR, EPDM

7350



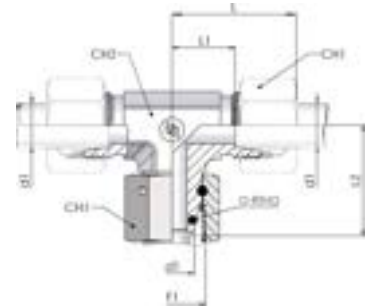
Swivel Run Tee (ISO 8434-1)

SWORT

Product number	Ø tube	Tipo	W.P.	Dimension							Weight
	(D1) mm			bar	L	L1	L2	L3	ØF1	CH1	
7350-06L-1NI	6	L	315	27	12	26	53	M12x1,5	14	12	0,048
7350-08L-1NI	8	L	315	29	14	27.5	56	M14x1,5	17	12	0,060
7350-10L-1NI	10	L	315	30	15	29	59	M16x1,5	19	14	0,096
7350-12L-1NI	12	L	315	32	17	29.5	61	M18x1,5	22	17	0,110
7350-15L-1NI	15	L	315	36	21	32.5	69	M22x1,5	27	19	0,154
7350-18L-1NI	18	L	315	40	23.5	35.5	75	M26x1,5	32	24	0,213
7350-22L-1NI	22	L	160	44	27.5	38.5	82	M30x2	36	27	0,281
7350-28L-1NI	28	L	160	47	30.5	41.5	89	M36x2	41	36	0,392
7350-35L-1NI	35	L	160	56	34.5	51	107	M45x2	50	41	0,677
7350-42L-1NI	42	L	160	63	40	56	119	M52x2	60	50	1,124
7350-06S-1NI	6	S	630	31	16	27	58	M14x1,5	17	12	0,078
7350-08S-1NI	8	S	630	32	17	27.5	59	M16x1,5	19	14	0,092
7350-10S-1NI	10	S	630	34	17.5	30	64	M18x1,5	22	17	0,130
7350-12S-1NI	12	S	630	38	21.5	31	69	M20x1,5	24	17	0,135
7350-14S-1NI	14	S	630	40	22	35	75	M22x1,5	27	19	0,180
7350-16S-1NI	16	S	400	43	24.5	36.5	79	M24x1,5	30	24	0,226
7350-20S-1NI	20	S	400	48	26.5	44.5	93	M30x2	36	27	0,353
7350-25S-1NI	25	S	400	54	30	50	104	M36x2	46	36	0,628
7350-30S-1NI	30	S	400	62	35.5	55	117	M42x2	50	41	0,917
7350-38S-1NI	38	S	315	72	41	63	135	M52x2	60	50	1,490

DKO with standard seal: FKM / Optional seal: NBR, EPDM

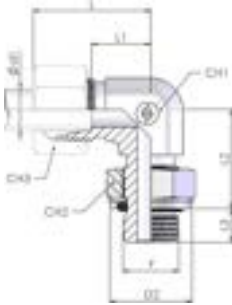
Swivel branch tee (ISO 8434-1) SWOBT



Product number	Ø tube	Tipo	W.P.	Dimensions	Dimension					Weight
	(D1) mm				L	L1	L2	ØF1	CH1	
7340-06L-1NI	6	L	315	27	12	26	12x1,5	14	12	0,049
7340-08L-1NI	8	L	315	29	14	27.5	14x1,5	17	12	0,059
7340-10L-1NI	10	L	315	30	15	29	16x1,5	19	14	0,092
7340-12L-1NI	12	L	315	32	17	29.5	18x1,5	22	17	0,110
7340-15L-1NI	15	L	315	36	21	32.5	22x1,5	27	19	0,154
7340-18L-1NI	18	L	315	40	23.5	35.5	26x1,5	32	24	0,215
7340-22L-1NI	22	L	160	44	27.5	38.5	30x2	36	27	0,277
7340-28L-1NI	28	L	160	47	30.5	41.5	36x2	41	36	0,397
7340-35L-1NI	35	L	160	56	34.5	51	45x2	50	41	0,680
7340-42L-1NI	42	L	160	63	40	56	52x2	60	50	1,138
7340-06S-1NI	6	S	630	31	16	27	14x1,5	17	12	0,067
7340-08S-1NI	8	S	630	32	17	27.5	16x1,5	19	14	0,095
7340-10S-1NI	10	S	630	34	17.5	30	18x1,5	22	17	0,130
7340-12S-1NI	12	S	630	38	21.5	31	20x1,5	24	17	0,135
7340-14S-1NI	14	S	630	40	22	35	22x1,5	27	19	0,181
7340-16S-1NI	16	S	400	43	24.5	36.5	24x1,5	30	24	0,246
7340-20S-1NI	20	S	400	48	26.5	44.5	30x2	36	27	0,356
7340-25S-1NI	25	S	400	54	30	50	36x2	46	36	0,637
7340-30S-1NI	30	S	400	62	35.5	55	42x2	50	41	0,916
7340-38S-1NI	38	S	315	72	41	63	52x2	60	50	1,478

DKO with standard seal: FKM / Optional seal: NBR, EPDM

7600_M



90° Adjustable Metric stud elbow with O-ring and retaining ring

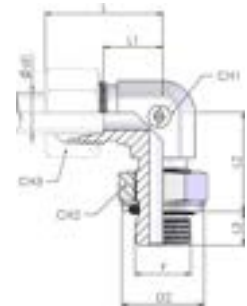
SDAE

Product number	Ø tube	Tipo	W.P.	Thread	Dimension							Dimensions	Weight
	d1 mm				bar	F	D2	L	L1	L2	L3		
7600-06LM-1NI	6	L	315	M10x1	14.8	27	12	23	6	12	14	14	0,040
7600-08LM-1NI	8	L	315	M12x1,5	17.8	29	14	25.5	7.5	14	17	17	0,061
7600-10LM-1NI	10	L	315	M14x1,5	19.8	30	15	26	8	14	19	19	0,065
7600-12LM-1NI	12	L	250	M16x1,5	21.8	32	17	30	8	17	22	22	0,096
7600-15LM-1NI	15	L	250	M18x1,5	23.8	36	21	31.5	9.5	19	24	27	0,125
7600-18LM-1NI	18	L	250	M22x1,5	27.8	40	23.5	33.5	9.5	24	27	32	0,160
7600-22LM-1NI	22	L	160	M27x2	32.8	44	27.5	40	12	27	32	36	0,279
7600-28LM-1NI	28	L	160	M33x2	39.8	47	30.5	44	12	36	41	41	0,359
7600-35LM-1NI	35	L	160	M42x2	49.8	56	34.5	48	12	41	50	50	0,659
7600-42LM-1NI	42	L	160	M48x2	55.8	63	40	55	12	50	55	60	1,064
7600-06SM-1NI	6	S	315	M12x1,5	17.8	31	16	25.5	7.5	14	17	17	0,069
7600-08SM-1NI	8	S	315	M14x1,5	19.8	32	17	26	8	14	19	19	0,075
7600-10SM-1NI	10	S	315	M16x1,5	21.8	34	17.5	30	8	17	22	22	0,122
7600-12SM-1NI	12	S	315	M18x1,5	23.8	38	21.5	31.5	9.5	19	24	24	0,155
7600-16SM-1NI	16	S	250	M22x1,5	27.8	43	24.5	33.5	9.5	24	27	30	0,246
7600-20SM-1NI	20	S	250	M27x2	32.8	48	26.5	40	12	27	32	36	0,343
7600-25SM-1NI	25	S	160	M33x2	39.8	54	30	44	12	36	41	46	0,505
7600-30SM-1NI	30	S	160	M42x2	49.8	62	35.5	48	12	41	50	50	0,769
7600-38SM-1NI	38	S	160	M48x2	55.8	72	41	55	12	50	55	60	1,331

7600_BS

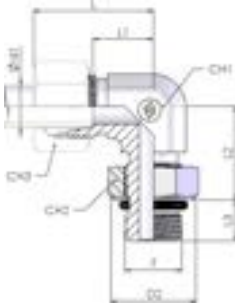
90° Adjustable BSP stud elbow (ISO 1179)

SDAE



Product number	Ø tube	Tipo	W.P.	Thread	Dimension							Dimensions	Weight
	d1 mm				bar	F	D2	L	L1	L2	L3	CH1	
7600-06LR-1NI	6	L	200	G 1/8	14.8	27	12	21	6	12	14	14	0,035
7600-08LR-1NI	8	L	200	G 1/4	19.8	29	14	25	8	14	19	17	0,045
7600-10LR-1NI	10	L	200	G 1/4	19.8	30	15	25	8	14	19	19	0,050
7600-12LR-1NI	12	L	200	G 3/8	22.8	32	17	29	8	17	22	22	0,076
7600-15LR-1NI	15	L	200	G 1/2	27.8	36	21	32.5	10.5	19	30	27	0,115
7600-18LR-1NI	18	L	200	G 1/2	27.8	40	23.5	32.5	10.5	24	30	32	0,185
7600-22LR-1NI	22	L	160	G 3/4	32.8	44	27.5	39	11	27	36	36	0,336
7600-28LR-1NI	28	L	160	G 1	40.8	47	30.5	43	12	36	41	41	0,437
7600-35LR-1NI	35	L	160	G 1 1/4	50.8	56	34.5	46	12	41	50	50	0,705
7600-42LR-1NI	42	L	160	G 1 1/2	55.8	63	40	51	12	50	55	60	1,154
7600-06SR-1NI	6	S	200	G 1/4	19.8	31	16	21	6	14	19	17	0,045
7600-08SR-1NI	8	S	200	G 1/4	19.8	32	17	25	8	14	19	19	0,055
7600-10SR-1NI	10	S	200	G 3/8	22.8	34	17.5	25	8	17	22	22	0,085
7600-12SR-1NI	12	S	200	G 3/8	22.8	38	21.5	29	8	17	22	24	0,095
7600-16SR-1NI	16	S	200	G 1/2	27.8	43	24.5	32.5	10.5	24	30	30	0,193
7600-20SR-1NI	20	S	200	G 3/4	32.8	48	26.5	39	11	27	36	36	0,362
7600-25SR-1NI	25	S	200	G 1	40.8	54	30	43	12	36	41	46	0,465
7600-30SR-1NI	30	S	160	G 1 1/4	50.8	62	35.5	46	12	41	50	50	0,750
7600-38SR-1NI	38	S	160	G 1 1/2	55.8	72	41	51	12	50	55	60	1,295

7600_UN



90° Adjustable UNF stud elbow (ISO 11926)

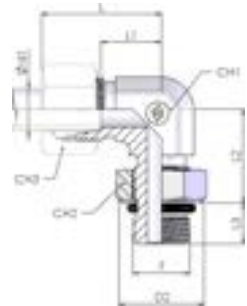
SDAE

Product number	Ø tube d1 mm	Tipo	W.P. bar	Thread F	Dimension							Dimensions CH3	Weight kg/unit
					D2	L	L1	L2	L3	CH1	CH2		
7600-06LU-1NI	6	L	315	7/16-20	16.5	27	12	20	7	12	14	14	0,032
7600-08LU-1NI	8	L	315	7/16-20	16.5	29	14	23	7	12	14	17	0,037
7600-10LU-1NI	10	L	250	9/16-18	20.2	30	15	25	8	14	17	19	0,055
7600-12LU06-1NI	12	L	250	9/16-18	20.2	32	17	25	8	17	17	22	0,075
7600-12LU-1NI	12	L	250	3/4-16	25.7	32	17	28	9	17	22	22	0,092
7600-15LU08-1NI	15	L	250	3/4-16	25.7	36	21	28	9	19	22	27	0,115
7600-15LU-1NI	15	L	200	7/8-14	29.3	36	21	33	10	24	27	27	0,154
7600-18LU10-1NI	18	L	200	7/8-14	29.3	40	23.5	33	10	24	27	32	0,201
7600-18LU-1NI	18	L	200	1.1/16-12	36.7	40	23.5	38	12	27	36	32	0,223
7600-22LU-1NI	22	L	160	1.1/16-12	36.7	44	27.5	38	12	27	36	36	0,250
7600-28LU-1NI	28	L	160	1.5/16-12	44	47	30.5	43	12	36	41	41	0,446
7600-35LU-1NI	35	L	125	1.5/8-12	55	56	34.5	46	12	41	50	50	0,901
7600-42LU-1NI	42	L	125	1.7/8-12	62.3	63	40	51	12	50	55	60	1.043
7600-06SU-1NI	6	S	400	7/16-20	16.5	31	16	20	7	12	14	17	0,036
7600-08SU-1NI	8	S	400	9/16-18	20.2	32	17	25	8	14	17	19	0,052
7600-10SU-1NI	10	S	400	9/16-18	20.2	34	17.5	25	8	17	17	22	0,073
7600-12SU-1NI	12	S	400	3/4-16	25.7	38	21.5	29	9	17	22	24	0,089
7600-16SU-1NI	16	S	400	7/8-14	29.3	43	24.5	33	10	24	27	30	0,175
7600-20SU-1NI	20	S	400	1.1/16-12	36.7	48	26.5	38	12	27	36	36	0,377
7600-25SU-1NI	25	S	315	1.5/16-12	44	54	30	43	12	36	41	46	0,668
7600-30SU-1NI	30	S	250	1.5/8-12	55	62	35.5	46	12	41	50	50	0,901
7600-38SU-1NI	38	S	200	1.7/8-12	62.3	72	41	51	12	50	55	60	1,515

7605

90° Adjustable Metric stud elbow (ISO 6149)

SDAE



Product number	Ø tube	Tipo	W.P. bar	Thread F	Dimension							Dimensions CH3	Weight kg/unit
	d1 mm				D2	L	L1	L2	L3	CH1	CH2		
7605-06LM-1NI	6	L	315	M10x1	14.5	27	12	23	6	12	14	14	0,026
7605-08LM-1NI	8	L	315	M12x1,5	17.5	29	14	25.5	7.5	14	17	17	0,041
7605-10LM-1NI	10	L	315	M14x1,5	19.5	30	15	26	8	14	19	19	0,048
7605-12LM-1NI	12	L	250	M16x1,5	22.5	32	17	30	8	17	22	22	0,065
7605-15LM-1NI	15	L	250	M18x1,5	24.5	36	21	31.5	9.5	19	24	27	0,104
7605-18LM-1NI	18	L	250	M22x1,5	27.5	40	23.5	33.5	9.5	24	27	32	0,157
7605-22LM-1NI	28	L	160	M27x2	32.5	44	27.5	40	12	27	32	36	0,207
7605-28LM-1NI	28	L	160	M33x2	41.5	47	30.5	44	12	36	41	41	0,345
7605-35LM-1NI	35	L	160	M42x2	50.5	56	34.5	48	12	41	50	50	0,527
7605-42LM-1NI	42	L	160	M48x2	55.5	63	40	55	12	50	55	60	0,813
7605-06SM-1NI	6	S	400	M12x1,5	17.5	31	16	25.5	7.5	12	17	17	0,046
7605-08SM-1NI	8	S	400	M14x1,5	19.5	32	17	26	8	14	19	19	0,064
7605-10SM-1NI	10	S	400	M16x1,5	22.5	34	17.5	30	8	17	22	22	0,086
7605-12SM-1NI	12	S	400	M18x1,5	24.5	38	21.5	31.5	9.5	17	24	24	0,116
7605-16SM-1NI	16	S	400	M22x1,5	27.5	43	24.5	33.5	9.5	24	27	30	0,179
7605-20SM-1NI	20	S	400	M27x2	32.5	48	26.5	40	12	27	32	36	0,287
7605-25SM-1NI	25	S	315	M33x2	41.5	54	30	44	12	36	41	46	0,480
7605-30SM-1NI	30	S	250	M42x2	50.5	62	35.5	46	12	41	50	50	0,765
7605-38SM-1NI	38	S	200	M48x2	55.5	72	41	54	13	50	55	60	1,145

7630



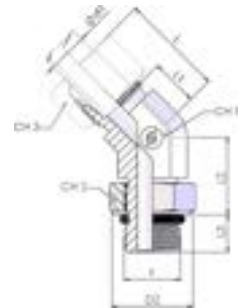
45° Adjustable BSP stud elbow (ISO 1179)

SDAE45

Product number	Ø tube	Tipo	W.P.	Thread	Dimension								Weight
	d1 mm				bar	F	D2	L	L1	L2	L3	CH1	
7630-06LR-1NI	6	L	315	G 1/8	14.8	24	9	21	6	12	14	14	0,061
7630-08LR-1NI	8	L	315	G 1/4	19.8	27	12	25	8	14	19	17	0,065
7630-10LR-1NI	10	L	315	G 1/4	19.8	27	12	25	8	14	19	19	0,067
7630-12LR-1NI	12	L	315	G 3/8	22.8	29	14	29	8	19	22	22	0,083
7630-15LR-1NI	15	L	315	G 1/2	27.8	31	16	32.5	10.5	22	30	27	0,098
7630-18LR-1NI	18	L	315	G 1/2	27.8	33.5	17	32.5	10.5	27	30	32	0,185
7630-22LR-1NI	22	L	160	G 3/4	32.8	35	18.5	39	11	27	36	36	0,198
7630-28LR-1NI	28	L	160	G 1	40.8	39	22.5	43	12	36	41	41	0,323
7630-35LR-1NI	35	L	160	G 1 1/4	50.8	44	22.5	46	12	41	50	50	0,537
7630-06SR-1NI	6	S	400	G 1/8	14.8	25	9	21	6	14	12	14	0,065
7630-08SR-1NI	8	S	400	G 1/4	19.8	27	12	25	8	14	19	19	0,070
7630-10SR-1NI	10	S	400	G 3/8	22.8	29	12.5	25	8	19	22	22	0,091
7630-12SR-1NI	12	S	400	G 3/8	22.8	33	16.5	29	8	19	22	24	0,104
7630-16SR-1NI	16	S	400	G 1/2	27.8	35	16.5	32.5	10.5	27	30	30	0,277
7630-20SR-1NI	20	S	400	G 3/4	32.8	39	17.5	39	11	27	36	36	0,285
7630-25SR-1NI	25	S	315	G 1	40.8	43	19	43	12	36	41	46	0,452
7630-30SR-1NI	30	S	250	G 1 1/4	50.8	50	23.5	46	12	41	50	50	0,720

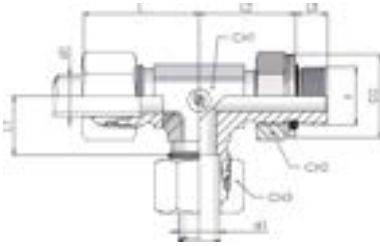
7635

45° Adjustable Metric stud elbow (ISO 6149)

SDAE45

Product number	Ø tube	Tipo	W.P.	Thread	Dimension								Weight
	d1 mm				bar	F	D2	L	L1	L2	L3	CH1	
7635-06LM-1NI	6	L	315	M 10x1	14.5	24	9	23	6	12	14	14	0,061
7635-08LM-1NI	8	L	315	M 12x1,5	17.5	27	12	25.5	7.5	14	17	17	0,065
7635-10LM-1NI	10	L	315	M 14x1,5	19.5	27	12	26	8	14	19	19	0,069
7635-12LM-1NI	12	L	250	M 16x1,5	22.5	29	14	30	8	19	22	22	0,081
7635-15LM-1NI	15	L	250	M 18x1,5	24.5	31	16	31.5	9.5	22	24	27	0,085
7635-18LM-1NI	18	L	250	M 22x1,5	27.5	33.5	17	32.5	9.5	27	27	32	0,198
7635-22LM-1NI	22	L	160	M 27x2	32.5	35	18.5	40	12	27	32	36	0,201
7635-28LM-1NI	28	L	160	M 33x2	41.5	39	22.5	44	12	36	41	41	0,323
7635-35LM-1NI	35	L	160	M 42x2	50.5	44	22.5	48	12	41	50	50	0,637
7635-06SM-1NI	6	S	400	M 12x1,5	17.5	25	9	25.5	7.5	14	17	17	0,065
7635-08SM-1NI	8	S	400	M 14x1,5	19.5	27	12	26	8	14	19	19	0,071
7635-10SM-1NI	10	S	400	M 16x1,5	22.5	29	12.5	30	8	19	22	22	0,091
7635-12SM-1NI	12	S	400	M 18x1,5	24.5	33	16.5	31.5	9.5	22	24	24	0,110
7635-16SM-1NI	16	S	400	M 22x1,5	27.5	35	16.5	32.5	9.5	27	27	30	0,183
7635-20SM-1NI	20	S	400	M 27x2	32.5	39	17.5	40	12	27	32	36	0,277
7635-25SM-1NI	25	S	315	M 33x2	41.5	43	19	44	12	36	41	46	0,452
7635-30SM-1NI	30	S	250	M 42x2	50.5	50	23.5	48	12	41	50	50	0,720

7610_BS



Adjustable stud Run Tee BSP (ISO 1179)

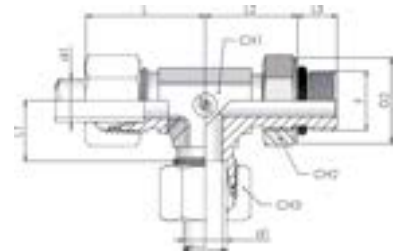
SDART

Product number	Ø tube	Tipo	W.P.	Thread	Dimension								Weight
	d1 mm				bar	F	D2	L	L1	L2	L3	CH1	
7610-06LR-1NI	6	L	200	G 1/8	14.8	27	12	21	6	12	14	14	0,039
7610-08LR-1NI	8	L	200	G 1/4	19.8	29	14	25	8	14	19	17	0,048
7610-10LR-1NI	10	L	200	G 1/4	19.8	30	15	25	8	14	19	19	0,055
7610-12LR-1NI	12	L	200	G 3/8	22.8	32	17	29	8	17	22	22	0,072
7610-15LR-1NI	15	L	200	G 1/2	27.8	36	21	32.5	10.5	19	30	27	0,122
7610-18LR-1NI	18	L	200	G 1/2	27.8	40	23.5	32.5	10.5	24	30	32	0,190
7610-22LR-1NI	22	L	160	G 3/4	32.8	44	27.5	39	11	27	36	36	0,282
7610-28LR-1NI	28	L	160	G 1	40.8	47	30.5	43	12	36	41	41	0,468
7610-35LR-1NI	35	L	160	G 1 1/4	50.8	56	34.5	46	12	41	50	50	0,901
7610-42LR-1NI	42	L	160	G 1 1/2	55.8	63	40	51	12	50	55	60	1,028
7610-06SR-1NI	6	S	200	G 1/4	19.8	31	16	25	8	14	19	17	0,056
7610-08SR-1NI	8	S	200	G 1/4	19.8	32	17	25	8	14	19	19	0,060
7610-10SR-1NI	10	S	200	G 3/8	22.8	34	17.5	29	8	17	22	22	0,089
7610-12SR-1NI	12	S	200	G 3/8	22.8	38	21.5	29	8	17	22	24	0,092
7610-16SR-1NI	16	S	200	G 1/2	27.8	43	24.5	32.5	10.5	24	30	30	0,296
7610-20SR-1NI	20	S	200	G 3/4	32.8	48	26.5	39	11	27	36	36	0,377
7610-25SR-1NI	25	S	200	G 1	40.8	54	30	43	12	36	41	46	0,667
7610-30SR-1NI	30	S	160	G 1 1/4	50.8	62	35.5	46	12	41	50	50	1,164
7610-38SR-1NI	38	S	160	G 1 1/2	55.8	72	41	51	12	50	55	60	1,514

7610_UN

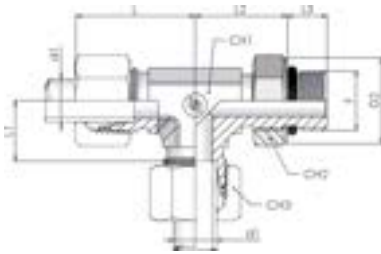
Adjustable stud Run Tee UNF (ISO 11926)

SDART



Product number	Ø tube	Tipo	W.P.	Thread	Dimension								Weight
	d1 mm				bar	F	D2	L	L1	L2	L3	CH1	
7610-06LU-1NI	6	L	315	7/16-20	16.5	27	12	20	7	12	14	14	0,036
7610-08LU-1NI	8	L	315	7/16-20	16.5	29	14	20	7	12	14	17	0,039
7610-10LU-1NI	10	L	250	9/16-18	20.2	30	15	25	8	14	17	19	0,051
7610-12LU06-1NI	12	L	250	9/16-18	20.2	32	17	25	8	17	17	22	0,070
7610-12LU-1NI	12	L	250	3/4-16	25.7	32	17	28	9	17	22	22	0,071
7610-15LU08-1NI	15	L	250	3/4-16	25.7	36	21	28	9	19	22	27	0,106
7610-15LU-1NI	15	L	200	7/8-14	29.3	36	21	33	10	24	27	27	0,201
7610-18LU10-1NI	18	L	200	7/8-14	29.3	40	23.5	33	10	27	27	32	0,214
7610-18LU-1NI	18	L	200	1.1/16-12	36.7	40	23.5	38	12	27	32	32	0,269
7610-22LU-1NI	22	L	160	1.1/16-12	36.7	44	27.5	38	12	27	32	36	0,282
7610-28LU-1NI	28	L	160	1.5/16-12	44	47	30.5	43	12	36	41	41	0,468
7610-35LU-1NI	35	L	125	1.5/8-12	55	56	34.5	46	12	41	50	50	0,901
7610-42LU-1NI	42	L	125	1.7/8-12	62.3	63	40	51	12	50	55	60	1,028
7610-06SU-1NI	6	S	400	7/16-20	16.5	31	16	20	7	12	14	17	0,040
7610-08SU-1NI	8	S	400	9/16-18	20.2	32	17	25	8	14	17	19	0,060
7610-10SU-1NI	10	S	400	9/16-18	20.2	34	17.5	25	8	17	17	22	0,075
7610-12SU-1NI	12	S	400	3/4-16	25.7	38	21.5	28	9	17	22	24	0,081
7610-16SU-1NI	16	S	400	7/8-14	29.3	43	24.5	33	10	24	27	30	0,221
7610-20SU-1NI	20	S	400	1.1/16-12	36.7	48	26.5	38	12	27	32	36	0,267
7610-25SU-1NI	25	S	315	1.5/16-12	44	54	30	43	12	36	41	46	0,667
7610-30SU-1NI	30	S	250	1.5/8-12	55	62	35.5	46	12	41	50	50	1,164
7610-38SU-1NI	38	S	200	1.7/8-12	62.3	72	41	51	12	50	55	60	1,514

7615



Adjustable stud Run Tee Metric (ISO 6149)

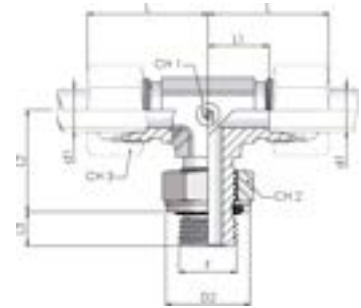
SDART

Product number	Ø tube	Tpo	W.P.	Thread	Dimension								Weight
	d1 mm				bar	F	D2	L	L1	L2	L3	CH1	
7615-06LM-1NI	6	L	315	M 10x1	14.5	27	12	23	6	12	14	14	0,039
7615-08LM-1NI	8	L	315	M 12x1,5	17.5	29	14	25.5	7.5	14	17	17	0,052
7615-10LM-1NI	10	L	315	M 14x1,5	19.5	30	15	26	8	14	19	19	0,055
7615-12LM-1NI	12	L	250	M 16x1,5	22.5	32	17	30	8	17	22	22	0,069
7615-15LM-1NI	15	L	250	M 18x1,5	24.5	36	21	31.5	9.5	19	24	27	0,106
7615-18LM-1NI	18	L	250	M 22x1,5	27.5	40	23.5	32.5	9.5	24	27	32	0,198
7615-22LM-1NI	22	L	160	M 27x2	32.5	44	27.5	40	12	27	32	36	0,0282
7615-28LM-1NI	28	L	160	M 33x2	41.5	47	30.5	44	12	36	41	41	0,468
7615-35LM-1NI	35	L	160	M 42x2	50.5	56	34.5	48	12	41	50	50	0,901
7615-42LM-1NI	42	L	160	M 48x2	55.5	63	40	54	13	50	55	60	1,028
7615-06SM-1NI	6	S	400	M 12x1,5	17.5	31	16	25.5	7.5	12	17	17	0,041
7615-08SM-1NI	8	S	400	M 14x1,5	19.5	32	17	26	8	14	19	19	0,055
7615-10SM-1NI	10	S	400	M 16x1,5	22.5	34	17.5	30	8	17	22	22	0,075
7615-12SM-1NI	12	S	400	M 18x1,5	24.5	38	21.5	31.5	9.5	17	24	24	0,077
7615-16SM-1NI	16	S	400	M 22x1,5	27.5	43	24.5	32.5	9.5	24	27	30	0,201
7615-20SM-1NI	20	S	400	M 27x2	32.5	48	26.5	40	12	27	32	36	0,377
7615-25SM-1NI	25	S	315	M 33x2	41.5	54	30	44	12	36	41	46	0,667
7615-30SM-1NI	30	S	250	M 42x2	50.5	62	35.5	48	12	41	50	50	1,116
7615-38SM-1NI	38	S	200	M 48x2	55.5	72	41	54	13	50	55	60	1,514

7620_BS

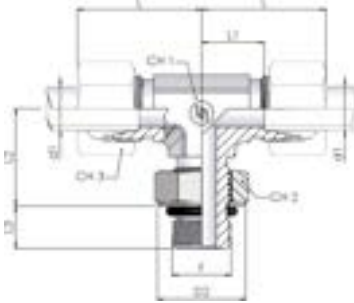
Adjustable stud Branch Tee BSP (ISO 1179)

SDABT



Product number	Ø tube	Tipo	W.P.	Thread	Dimension							Dimensions	Weight
	d1 mm				bar	F	D2	L	L1	L2	L3	CH1	
7620-06LR-1NI	6	L	200	G 1/8	14.8	27	12	21	6	12	14	14	0,038
7620-08LR-1NI	8	L	200	G 1/4	19.8	29	14	25	8	14	19	17	0,051
7620-10LR-1NI	10	L	200	G 1/4	19.8	30	15	25	8	14	19	19	0,055
7620-12LR-1NI	12	L	200	G 3/8	22.8	32	17	29	8	17	22	22	0,073
7620-15LR-1NI	15	L	200	G 1/2	27.8	36	21	32.5	10.5	19	30	27	0,108
7620-18LR-1NI	18	L	200	G 1/2	27.8	40	23.5	32.5	10.5	24	30	32	0,221
7620-22LR-1NI	22	L	160	G 3/4	32.8	44	27.5	39	11	27	36	36	0,285
7620-28LR-1NI	28	L	160	G 1	40.8	47	30.5	43	12	36	41	41	0,475
7620-35LR-1NI	35	L	160	G 1 1/4	50.8	56	34.5	46	12	41	50	50	0,855
7620-42LR-1NI	42	L	160	G 1 1/2	55.8	63	40	51	12	50	55	60	1,028
7620-06SR-1NI	6	S	200	G 1/4	19.8	31	16	21	6	14	19	17	0,045
7620-08SR-1NI	8	S	200	G 1/4	19.8	32	17	25	8	14	19	19	0,061
7620-10SR-1NI	10	S	200	G 3/8	22.8	34	17.5	29	8	17	22	22	0,073
7620-12SR-1NI	12	S	200	G 3/8	22.8	38	21.5	29	8	17	22	24	0,077
7620-16SR-1NI	16	S	200	G 1/2	27.8	43	24.5	32.5	10.5	24	30	30	0,222
7620-20SR-1NI	20	S	200	G 3/4	32.8	48	26.5	39	11	27	36	36	0,291
7620-25SR-1NI	25	S	200	G 1	40.8	54	30	43	12	36	41	46	0,477
7620-30SR-1NI	30	S	160	G 1 1/4	50.8	62	35.5	46	12	41	50	50	0,899
7620-38SR-1NI	38	S	160	G 1 1/2	55.8	72	41	51	12	50	55	60	1,028

7620_UN



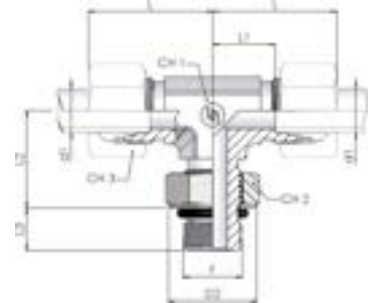
Adjustable stud Branch Tee UNF (ISO 11926)

SDABT

Product number	Ø tube	Tipo	W.P.	Thread	Dimension								Weight
	d1 mm				bar	F	D2	L	L1	L2	L3	CH1	
7620-06LU-1NI	6	L	315	7/16-20	16.5	27	12	20	7	12	14	14	0,036
7620-08LU-1NI	8	L	315	7/16-20	16.5	29	14	20	7	12	14	17	0,039
7620-10LU-1NI	10	L	250	9/16-18	20.2	30	15	25	8	14	17	19	0,049
7620-12LU06-1NI	12	L	250	9/16-18	20.2	32	17	25	8	17	17	22	0,073
7620-12LU-1NI	12	L	250	3/4-16	25.7	32	17	28	9	17	22	22	0,075
7620-15LU08-1NI	15	L	250	3/4-16	25.7	36	21	28	9	19	22	27	0,108
7620-15LU-1NI	15	L	200	7/8-14	29.3	36	21	33	10	24	27	27	0,201
7620-18LU10-1NI	18	L	200	7/8-14	29.3	40	23.5	33	10	24	27	32	0,210
7620-18LU-1NI	18	L	200	1.1/16-12	36.7	40	23.5	38	12	27	32	32	0,282
7620-22LU-1NI	22	L	160	1.1/16-12	36.7	44	27.5	38	12	27	32	36	0,290
7620-28LU-1NI	28	L	160	1.5/16-12	44	47	30.5	43	12	36	41	41	0,473
7620-35LU-1NI	35	L	125	1.5/8-12	55	56	34.5	46	12	41	50	50	0,901
7620-42LU-1NI	42	L	125	1.7/8-12	62.3	63	40	51	12	50	55	60	1,028
7620-06SU-1NI	6	S	400	7/16-20	16.5	31	16	20	7	12	14	17	0,039
7620-08SU-1NI	8	S	400	9/16-18	20.2	32	17	25	8	14	17	19	0,059
7620-10SU-1NI	10	S	400	9/16-18	20.2	34	17.5	25	8	17	17	22	0,073
7620-12SU-1NI	12	S	400	3/4-16	25.7	38	21.5	28	9	17	22	24	0,077
7620-16SU-1NI	16	S	400	7/8-14	29.3	43	24.5	33	10	24	27	30	0,210
7620-20SU-1NI	20	S	400	1.1/16-12	36.7	48	26.5	38	12	27	32	36	0,380
7620-25SU-1NI	25	S	315	1.5/16-12	44	54	30	43	12	36	41	46	0,668
7620-30SU-1NI	30	S	250	1.5/8-12	55	62	35.5	46	12	41	50	50	1,168
7620-38SU-1NI	38	S	200	1.7/8-12	62.3	72	41	51	12	50	55	60	1,515

7625

Adjustable stud Branch Tee Metric (ISO 6149)

SDABT

Product number	Ø tube	Tipo	W.P.	Thread	Dimension								Weight
	d1 mm				bar	F	D2	L	L1	L2	L3	CH1	
7625-06LM-1NI	6	L	315	M 10x1	14.5	27	12	23	6	12	14	14	0,041
7625-08LM-1NI	8	L	315	M 12x1,5	17.5	29	14	25.5	7.5	14	17	17	0,047
7625-10LM-1NI	10	L	315	M 14x1,5	19.5	30	15	26	8	14	19	19	0,055
7625-12LM-1NI	12	L	250	M 16x1,5	22.5	32	17	30	8	17	22	22	0,073
7625-15LM-1NI	15	L	250	M 18x1,5	24.5	36	21	31.5	9.5	19	24	27	0,108
7625-18LM-1NI	18	L	250	M 22x1,5	27.5	40	23.5	32.5	9.5	24	27	32	0,210
7625-22LM-1NI	22	L	160	M 27x2	32.5	44	27.5	40	12	27	32	36	0,295
7625-28LM-1NI	28	L	160	M 33x2	41.5	47	30.5	44	12	36	41	41	0,475
7625-35LM-1NI	35	L	160	M 42x2	50.5	56	34.5	48	12	41	50	50	0,901
7625-42LM-1NI	42	L	160	M 48x2	55.5	63	40	54	13	50	55	60	1,028
7625-06SM-1NI	6	S	400	M 12x1,5	17.5	31	16	25.5	7.5	12	17	17	0,041
7625-08SM-1NI	8	S	400	M 14x1,5	19.5	32	17	26	8	14	19	19	0,061
7625-10SM-1NI	10	S	400	M 16x1,5	22.5	34	17.5	30	8	17	22	22	0,075
7625-12SM-1NI	12	S	400	M 18x1,5	24.5	38	21.5	31.5	9.5	17	24	24	0,081
7625-16SM-1NI	16	S	400	M 22x1,5	27.5	43	24.5	32.5	9.5	24	27	30	0,221
7625-20SM-1NI	20	S	400	M 27x2	32.5	48	26.5	40	12	27	32	36	0,377
7625-25SM-1NI	25	S	315	M 33x2	41.5	54	30	44	12	36	41	46	0,668
7625-30SM-1NI	30	S	250	M 42x2	50.5	62	35.5	48	12	41	50	50	1,168
7625-38SM-1NI	38	S	200	M 48x2	55.5	72	41	54	13	50	55	60	1,515

7240



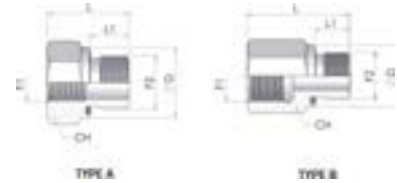
Thread reducing coupling with Elastomeric sealing (Form E ISO 1179- 2)

Product number	Tipo	W.P.	Thread		Dimension				Weight
		bar	F2	L	F1	L1	OD	CH	kg/unit
7240-0204NI	B	630	G 1/8	32	G 1/4	8	14	19	0,042
7240-0206NI	B	630	G 1/8	32	G 3/8	8	14	24	0,068
7240-0402NI	B	630	G 1/4	28	G 1/8	12	18	19	0,046
7240-0406NI	B	630	G 1/4	36	G 3/8	12	18	24	0,073
7240-0408NI	B	630	G 1/4	40	G 1/2	12	18	30	0,124
7240-0412NI	B	400	G 1/4	43	G 3/4	12	18	36	0,185
7240-0602NI	A	630	G 3/8	22,5	G 1/8	12	22	22	0,038
7240-0604NI	B	630	G 3/8	36	G 1/4	12	22	22	0,072
7240-0608NI	B	630	G 3/8	41	G 1/2	12	22	30	0,132
7240-0612NI	B	400	G 3/8	44	G 3/4	12	22	36	0,191
7240-0802NI	A	630	G 1/2	24	G 1/8	14	26	27	0,065
7240-0804NI	A	630	G 1/2	24	G 1/4	14	26	27	0,056
7240-0806NI	B	400	G 1/2	36	G 3/8	14	26	27	0,097
7240-0812NI	B	400	G 1/2	46	G 3/4	14	26	36	0,194
7240-0816NI	B	400	G 1/2	49	G 1	14	26	41	0,237
7240-0820NI	B	250	G 1/2	53	G 1 1/4	14	26	55	0,503
7240-1204NI	A	400	G 3/4	26	G 1/4	16	32	32	0,101
7240-1206NI	A	400	G 3/4	26	G 3/8	16	32	32	0,085
7240-1208NI	B	400	G 3/4	41	G 1/2	16	32	32	0,150
7240-1216NI	B	400	G 3/4	51	G 1	16	32	41	0,247

continue on next page

7240

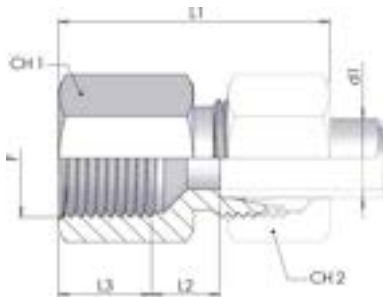
Thread reducing coupling with Elastomeric sealing (Form E ISO 1179- 2)



continue on previous page

Product number	Tipo	W.P.	Thread		Dimension				Weight
		bar	F2	L	F1	L1	ØD	CH	kg/unit
7240-1220NI	B	250	G 3/4	55	G 1 1/4	16	32	55	0,514
7240-1224NI	B	250	G 3/4	57	G 1 1/2	16	32	60	0,596
7240-1604NI	A	400	G 1	29	G 1/4	18	39	41	0,193
7240-1606NI	A	400	G 1	29	G 3/8	18	39	41	0,178
7240-1608NI	A	400	G 1	29	G 1/2	18	39	41	0,152
7240-1612NI	B	400	G 1	47	G 3/4	18	39	41	0,286
7240-1620NI	B	250	G 1	57	G 1 1/4	18	39	55	0,549
7240-1624NI	B	250	G 1	59	G 1 1/2	18	39	60	0,626
7240-2008NI	A	250	G 1 1/4	32	G 1/2	20	49	50	0,309
7240-2012NI	A	250	G 1 1/4	32	G 3/4	20	49	50	0,260
7240-2016NI	B	250	G 1 1/4	52	G 1	20	49	50	0,482
7240-2024NI	B	250	G 1 1/4	60	G 1 1/2	20	49	60	0,659
7240-2408NI	A	250	G 1 1/2	36	G 1/2	22	55	55	0,467
7240-2412NI	A	250	G 1 1/2	36	G 3/4	22	55	55	0,416
7240-2416NI	A	250	G 1 1/2	36	G 1	22	55	55	0,336
7240-2420NI	B	250	G 1 1/2	58	G 1 1/4	22	55	55	0,553

7250_BS



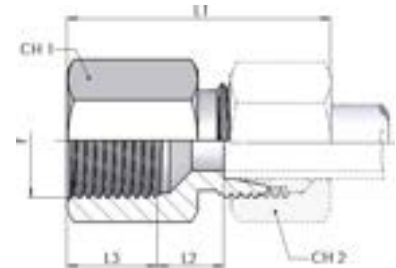
Female connector BSPP thread S

Product number	Ø tube	Tipo	W.P.	Thread	Dimension					Weight
	mm				F	L1	L2	L3	CH1	
7250-06LR-1NI	6	L	315	G 1/8	33.5	7	12	14	14	0,018
7250-08LR06-1NI	8	L	315	G 3/8	40	10.5	14.5	24	17	0,062
7250-08LR08-1NI	8	L	315	G 1/2	44	14.5	14.5	27	17	0,079
7250-08LR-1NI	8	L	315	G 1/4	39	7	17	19	17	0,038
7250-10LR06-1NI	10	L	315	G 3/8	41	11.5	14.5	24	19	0,062
7250-10LR08-1NI	10	L	315	G 1/2	45	15.5	14.5	27	19	0,081
7250-10LR-1NI	10	L	315	G 1/4	40	8	17	19	19	0,039
7250-12LR08-1NI	12	L	315	G 1/2	45	15.5	14.5	27	22	0,084
7250-12LR-1NI	12	L	315	G 3/8	40.5	9	17	24	22	0,062
7250-15LR-1NI	15	L	315	G 1/2	46	11	20	27	27	0,086
7250-18LR-1NI	18	L	315	G 1/2	47	10.5	20	27	32	0,089
7250-22LR-1NI	22	L	160	G 3/4	52	13.5	22	36	36	0,173
7250-28LR-1NI	28	L	160	G 1	54	13	24.5	41	41	0,209
7250-35LR-1NI	35	L	160	G 1 1/4	63	15	26.5	55	50	0,457
7250-42LR-1NI	42	L	160	G 1 1/2	66	14.5	28.5	60	60	0,528
7250-06SR-1NI	6	S	630	G 1/4	41	9	17	19	17	0,042
7250-08SR-1NI	8	S	630	G 1/4	41	9	17	19	19	0,044
7250-10SR-1NI	10	S	630	G 3/8	42.5	9.5	17	24	22	0,069
7250-12SR-1NI	12	S	630	G 3/8	42.5	9.5	17	24	24	0,071
7250-14SR-1NI	14	S	630	G 1/2	50	12	20	30	27	0,094
7250-16SR-1NI	16	S	400	G 1/2	50	11.5	20	30	30	0,093
7250-20SR-1NI	20	S	400	G 3/4	56	12.5	22	36	36	0,189
7250-25SR-1NI	25	S	400	G 1	61	12.5	24.5	41	46	0,240
7250-30SR-1NI	30	S	400	G 1 1/4	69	16	26.5	55	50	0,503
7250-38SR-1NI	38	S	315	G 1 1/2	75	15.5	28.5	60	60	0,615

Filettatura / Thread: BSPP

7250_M

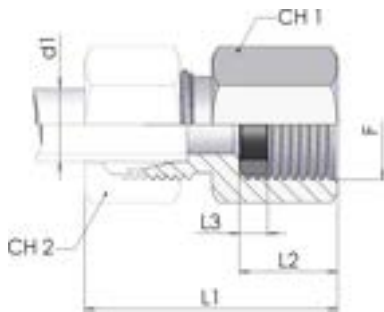
Female connector Metric fine thread S



Product number	Ø tube	Tipo	W.P.	Thread	Dimension					Weight
	mm				bar	F	L1	L2	L3	
7250-06LM-1NI	6	L	315	M 10x1	33.5	7	12	14	14	0,018
7250-08LM-1NI	8	L	315	M 12x1,5	39	7	17	17	17	0,031
7250-10LM-1NI	10	L	315	M 14x1,5	40	8	17	19	19	0,037
7250-12LM-1NI	12	L	315	M 16x1,5	40.5	9	17	22	22	0,051
7250-15LM-1NI	15	L	315	M 18x1,5	46	14	17	24	27	0,065
7250-18LM-1NI	18	L	315	M 22x1,5	47	11.5	19	30	30	0,109
7250-22LM-1NI	22	L	160	M 26x1,5	51	13.5	21	32	36	0,121
7250-06SM-1NI	6	S	630	M 12x1,5	41	9	17	17	17	0,048
7250-08SM-1NI	8	S	630	M 14x1,5	41	9	17	19	19	0,042
7250-10SM-1NI	10	S	630	M 16x1,5	42.5	9.5	17	22	22	0,058
7250-12SM-1NI	12	S	630	M 18x1,5	42.5	9.5	17	24	24	0,069
7250-14SM-1NI	14	S	630	M 20x1,5	50	13	19	27	27	0,096
7250-16SM-1NI	16	S	400	M 22x1,5	50	12.5	19	30	30	0,115
7250-20SM-1NI	20	S	400	M 27x2	56	12.5	22	36	36	0,186

Filettatura / Thread: Metric

7030

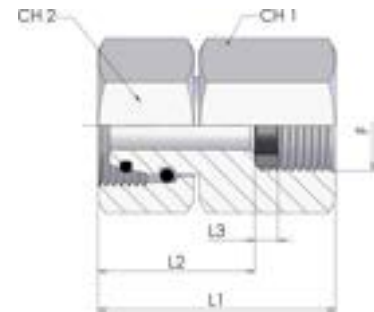


Gauge connector BSPP thread (ISO 8434-1) SGC

Product number	Ø tube	Tipo	W.P.	Thread	Dimension					Weight
	mm				bar	F	L1	L2	L3	
7030-06L-1NI	6	L	315	G 1/4	37	14.5	4.5	19	14	0,037
7030-08L-1NI	8	L	315	G 1/4	37	14.5	4.5	19	17	0,038
7030-10L-1NI	10	L	315	G 1/4	38	14.5	4.5	19	19	0,039
7030-12L-1NI	12	L	315	G 1/4	38	14.5	4.5	19	22	0,040
7030-06S-1NI	6	S	630	G 1/2	46	20	5	27	17	0,086
7030-08S-1NI	8	S	630	G 1/2	46	20	5	27	19	0,090
7030-10S-1NI	10	S	630	G 1/2	47	20	5	27	22	0,088
7030-12S-1NI	12	S	630	G 1/2	47	20	5	27	24	0,090

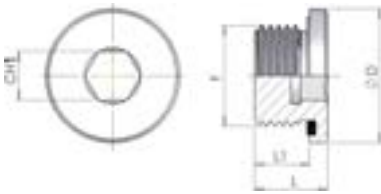
7035

Swivel gauge connector (ISO 8434-1) SWOGC



Product number	Ø tube	Tipo	W.P.	Thread	Dimension					Weight
	mm				F	L1	L2	L3	CH1	
7035-06LNI	6	L	315	G 1/4	37.5	23	4.6	19	14	0,048
7035-08LNI	8	L	315	G 1/4	37.5	23	4.6	19	17	0,055
7035-10LNI	10	L	315	G 1/4	36	21.5	4.6	19	19	0,058
7035-12LNI	12	L	315	G 1/4	36	21.5	4.6	19	22	0,069
7035-06SNI	6	S	630	G 1/2	44.5	24.5	5.2	27	17	0,103
7035-08SR04NI	8	S	630	G 1/4	35.5	21	4.6	19	19	0,073
7035-08SNI	8	S	630	G 1/2	44.5	24.5	5.2	27	19	0,117
7035-10SR04NI	10	S	630	G 1/4	39	24.5	4.6	19	22	0,087
7035-10SNI	10	S	630	G 1/2	43.5	23.5	5.2	27	22	0,113
7035-12SR04NI	12	S	630	G 1/4	40	24.5	4.6	19	24	0,102
7035-12SNI	12	S	630	G 1/2	45	25	5.2	27	24	0,122

7260_BS

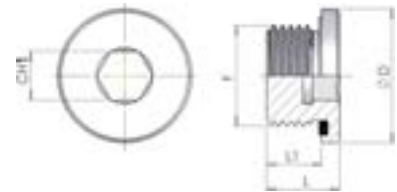


**Blanking plug for port thread: BSPP
(Form E ISO 1179-2) PLE**

Product number	W.P.	Dimension					Weight
	bar	F	L	L1	D	CH1	kg/unit
7260-02NI	400	G 1/8	12	8	14	5	0,007
7260-04NI	400	G 1/4	17	12	19	6	0,018
7260-06NI	400	G 3/8	17	12	22	8	0,027
7260-08NI	400	G 1/2	19	14	27	10	0,044
7260-12NI	400	G 3/4	21	16	32	12	0,075
7260-16NI	400	G 1	22.5	18	40	17	0,123
7260-20NI	315	G 1 1/4	22.5	20	50	22	0,272
7260-24NI	315	G 1 1/2	22.5	22	55	24	0,375

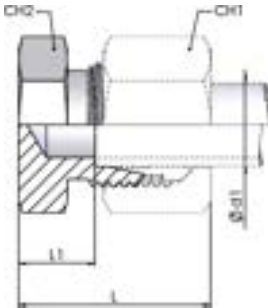
7260_M

**Blanking plug for port thread:
Metric fine (Form E ISO 9974-2) PLE**



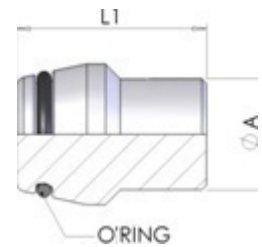
Product number	W.P.	Dimension					Weight
	bar	F	L	L1	D	CH1	kg/unit
7260-10X10NI	400	M10x1	12	8	14	5	0,007
7260-12X15NI	400	M12x1,5	17	12	17	6	0,014
7260-14X15NI	400	M14x1,5	17	12	19	6	0,019
7260-16X15NI	400	M16x1,5	17	12	22	8	0,024
7260-18X15NI	400	M18x1,5	17	12	24	8	0,032
7260-20X15NI	400	M20x1,5	19	14	26	10	0,040
7260-22X15NI	400	M22x1,5	19	14	27	10	0,050
7260-26X15NI	400	M26x1,5	21	16	32	12	0,074
7260-27X20NI	400	M27x2	21	16	32	12	0,077
7260-33X20NI	400	M33x2	22.5	16	40	17	0,124
7260-42X20NI	315	M42x2	22.5	16	50	22	0,186
7260-48X20NI	315	M48x2	22.5	16	55	24	0,244

7270



Plug (ISO 8434-1) PL

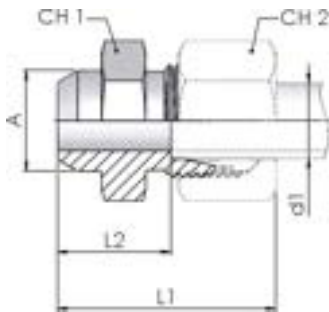
Product number	Ø tube	W.P.	Tipo	Dimension				Weight
	(D1) mm			bar	L	L1	CH1	
7270-06L-1NI	6	315	L	22	8	14	12	0,008
7270-08L-1NI	8	315	L	23	8	17	14	0,012
7270-10L-1NI	10	315	L	24	9	19	17	0,016
7270-12L-1NI	12	315	L	25	10	22	19	0,022
7270-15L-1NI	15	315	L	26	11	27	24	0,038
7270-18L-1NI	18	315	L	28	11.5	32	27	0,054
7270-22L-1NI	22	160	L	30	13.5	36	32	0,077
7270-28L-1NI	28	160	L	31	14.5	41	41	0,133
7270-35L-1NI	35	160	L	36	14.5	50	46	0,201
7270-42L-1NI	42	160	L	39	16	60	55	0,340
7270-06S-1NI	6	630	S	26	11	17	14	0,016
7270-08S-1NI	8	630	S	28	13	19	17	0,026
7270-10S-1NI	10	630	S	29	12.5	22	19	0,031
7270-12S-1NI	12	630	S	31	14.5	24	22	0,045
7270-14S-1NI	14	630	S	34	14	27	24	0,059
7270-16S-1NI	16	400	S	34	15.5	30	27	0,068
7270-20S-1NI	20	400	S	39	17.5	36	32	0,120
7270-25S-1NI	25	400	S	44	20	46	41	0,213
7270-30S-1NI	30	400	S	47	20.5	50	46	0,281
7270-38S-1NI	38	315	S	54	23	60	55	0,498

7290**Pipe plug with O-Ring seal (ISO 8434-1) PL**

Product number	Ø tube	Tipo	W.P.	Dimension	Dimensions	Weight
	mm		bar	A	L	kg/unit
7290-06LSNI	6	LS	315	6	17	0,006
7290-08LSNI	8	LS	315	8	17	0,010
7290-10LSNI	10	LS	315	10	18.5	0,016
7290-12LSNI	12	LS	315	12	19.5	0,022
7290-15LNI	15	L	315	15	19.5	0,032
7290-18LNI	18	L	315	18	21.5	0,051
7290-22LNI	22	L	160	22	24	0,081
7290-28LNI	28	L	160	28	24.5	0,130
7290-35LNI	35	L	160	35	28	0,240
7290-42LNI	42	L	160	42	28	0,346
7290-14SNI	14	S	630	14	22.5	0,032
7290-16SNI	16	S	400	16	21.5	0,041
7290-20SNI	20	S	400	20	27	0,080
7290-25SNI	25	S	400	25	27.5	0,124
7290-30SNI	30	S	400	30	29.5	0,182
7290-38SNI	38	S	315	38	31	0,315

With sealing cone and O-Ring adaptable to the shape of the hole W DIN 3861 / ISO 8434-1

7420



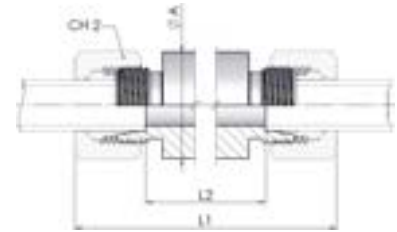
Weld connector (ISO 8434-1) WDS

WDS

Product number	Ø tube	Tipo	W.P.	A	Dimension				Weight kg/unit
	mm				L1	L2	CH1	CH2	
7420-06L-1	6	L	315	10	29	14	12	14	0,010
7420-08L-1	8	L	315	12	31	16	14	17	0,015
7420-10L-1	10	L	315	14	33	18	17	19	0,021
7420-12L-1	12	L	315	16	33	18	19	22	0,026
7420-15L-1	15	L	315	19	37	22	22	27	0,043
7420-18L-1	18	L	315	22	40	23.5	27	32	0,066
7420-22L-1	22	L	160	27	45	28.5	32	36	0,097
7420-28L-1	28	L	160	32	47	30.5	41	41	0,159
7420-35L-1	35	L	160	40	54	32.5	46	50	0,228
7420-42L-1	42	L	160	46	58	35	55	60	0,328
7420-06S-1	6	S	630	11	34	19	14	17	0,021
7420-08S-1	8	S	630	13	36	21	17	19	0,030
7420-10S-1	10	S	630	15	39	22.5	19	22	0,040
7420-12S-1	12	S	630	17	41	24.5	22	24	0,055
7420-14S-1	14	S	630	19	45	27	24	27	0,070
7420-16S-1	16	S	400	21	45	26.5	27	30	0,083
7420-20S-1	20	S	400	26	51	29.5	32	36	0,129
7420-25S-1	25	S	400	31	56	32	41	46	0,222
7420-30S-1	30	S	400	36	62	35.5	46	50	0,295
7420-38S-1	38	S	315	44	69	38	55	60	0,455

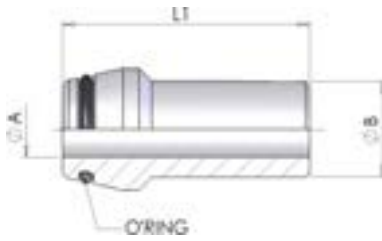
7120

Welding straight bulkhead (ISO 8434-1)WDBHS



Product number	Ø tube	Tipo	W.P.	Dimension				Weight
	mm			bar	L1	L2	A	
7120-06L-1	6	L	315	85	56	18	14	0,103
7120-08L-1	8	L	315	85	56	20	17	0,121
7120-10L-1	10	L	315	87	58	22	19	0,143
7120-12L-1	12	L	315	87	58	25	22	0,177
7120-15L-1	15	L	315	100	70	28	27	0,259
7120-18L-1	18	L	315	101	69	32	32	0,334
7120-22L-1	22	L	160	105	73	36	36	0,400
7120-28L-1	28	L	160	106	73	40	41	0,445
7120-35L-1	35	L	160	114	71	50	50	0,723
7120-42L-1	42	L	160	115	70	60	60	1,005
7120-06S-1	6	S	630	89	60	20	17	0,135
7120-08S-1	8	S	630	89	60	22	19	0,162
7120-10S-1	10	S	630	91	59	25	22	0,200
7120-12S-1	12	S	630	91	59	28	24	0,250
7120-14S-1	14	S	630	107	72	30	27	0,337
7120-16S-1	16	S	400	107	71	35	30	0,444
7120-20S-1	20	S	400	114	71	38	36	0,515
7120-25S-1	25	S	400	120	72	45	46	0,723
7120-30S-1	30	S	400	126	73	50	50	0,873
7120-38S-1	38	S	315	133	72	60	60	1,251

7280



Welding nipple with O-ring seal WDNP

Product number	Ø tube	Pipe x Thickness	Dimension			W.P. bar	Weight kg/unit
	mm		ØA	ØB	L1		
7280-10X20	10	10 x 2	6	10	31	400	0,016
7280-12X25	12	12 x 2,5	7	12	31	400	0,022
7280-14X30	14	14 x 3	8	14	34	400	0,035
7280-16X30	16	16 x 3	10	16	37	400	0,044
7280-20X40	20	20 x 4	12	20	43	400	0,078
7280-25X40	25	25 x 4	17	25	48	400	0,112
7280-30X50	30	30 x 5	20	30	51	400	0,171
7280-38X50	38	38 x 5	28	38	55	315	0,245

With sealing cone and O-Ring adaptable to the shape of the hole W DIN 3861 / ISO 8434-1

Adattatori NPTF- METRICO - E





1750



Metric Niple 60° Cone

226

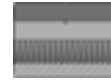
1770



Reducing Metric Niple
60° Cone

226

M105



Metric Female Union

227

1810



Colonna Maschio
Metrico-Femmina BSP

227

1820



Male BSP/Female Metric
Connector

228

M608



Tappo metrico girevole

228

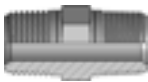
M605



Metric Plug

229

1870



Male stud connector
NPTF

229

N105



Metric Female Union
NPTF

230

4690



90° Male stud Elbow
NPTF

230

4695



90° Female/Male Elbow
NPTF

231

4580



90° Female Union Elbow
NPTF

231

4830



Female Union Tee NPTF

232

4920



Female Union Cross
NPTF

232

1500



Weldable Metric Banjo
Eye

233

1570



Metric threaded Banjo
Eye

233

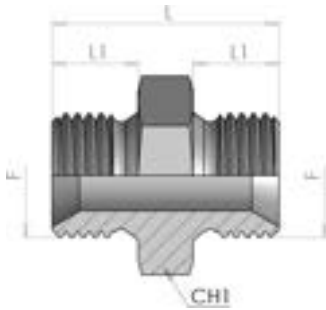
1580



Metric threaded Banjo
Eye 24° Cone

234

1750

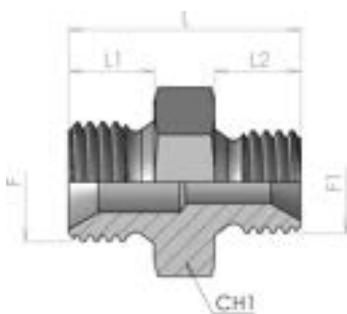


Metric Niple 60° Cone

S

Product number	Thread	Dimension			Weight
	F	L	L1	CH1	kg/unit
1750-10-10	M 10x1	25	8	14	0.011
1750-12-12	M 12x1,5	29	12	17	0.019
1750-14-14	M 14x1,5	29	12	19	0.028
1750-16-16	M 16x1,5	33	12	22	0.037
1750-18-18	M 18x1,5	36	12	24	0.05
1750-20-20	M 20x1,5	38	14	27	0.067
1750-22-22	M 22x1,5	38	14	27	0.069
1750-24-24	M 24x1,5	41	14	30	0.092
1750-26-26	M 26x1,5	43	16	32	0.109
1750-30-30	M30x1,5	43	17	36	0.136

1770



Reducing Metric Niple 60° Cone

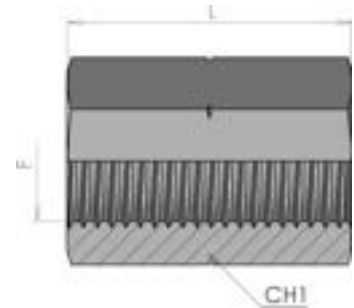
S

Product number	Thread		Dimension				Weight
	F	F1	L	L1	L2	CH1	kg/unit
1770-14-12	M 14x1,5	M 12x1,5	29	12	12	19	0.026
1770-16-14	M 16x1,5	M 14x1,5	31	12	12	22	0.033
1770-18-14	M 18x1,5	M 14x1,5	33	12	12	24	0.044
1770-18-16	M 18x1,5	M 16x1,5	35	12	12	24	0.047
1770-22-16	M 22x1,5	M 16x1,5	36	14	12	27	0.056
1770-22-18	M 22x1,5	M 18x1,5	37	14	12	27	0.06
1770-26-22	M 26x1,5	M 22x1,5	41	16	14	32	0.091

M105

Metric Female Union

S

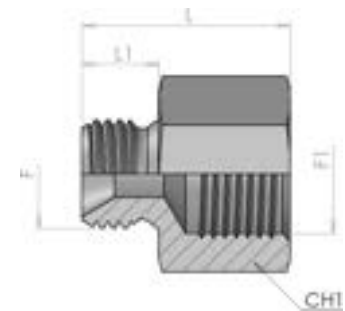


Product number	Thread	Dimension		Weight
	F	L	CH1	kg/unit
M105-10-10	M 10x1	25	14	0.014
M105-12-12	M 12x1,5	25	17	0.031
M105-14-14	M 14x1,5	35	19	0.026
M105-16-16	M 16x1,5	35	22	0.059
M105-18-18	M 18x1,5	45	24	0.101
M105-22-22	M 22x1,5	45	27	0.93

1810

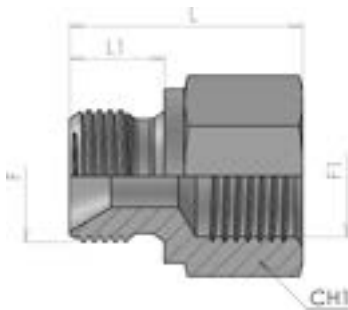
Colonna Maschio Metrico-Femmina BSP

S



Product number	Ø tube		Thread		Dimension			Weight
	mm	inch	F	F1	L	L1	CH1	kg/unit
1810-04-14	8	5/16"	M 14x1,5	G 1/4	28	10	19	0.042
1810-06-16	10	3/8"	M 16x1,5	G 3/8	33	11	22	0.055
1810-06-18	10	3/8"	M 18x1,5	G 3/8	34	11	24	0.058
1810-08-22	12	1/2"	M 22x1,5	G 1/2	37	12	27	0.071

1820

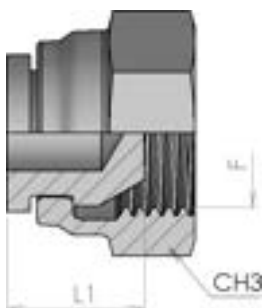


Male BSP/Female Metric Connector

S

Product number	Ø tube		Thread		Dimension			Weight
	mm	inch	F	F1	L	L1	CH1	kg/unit
1820-04-14	8	5/16"	G 1/4	M 14x1,5	27	11	17	0.042
1820-06-16	10	3/8"	G 3/8	M 16x1,5	33	12	22	0.055
1820-06-18	10	3/8"	G 3/8	M 18x1,5	33	12	24	0.058
1820-08-18	12	1/2"	G 1/2	M 18x1,5	35	14	27	0.065
1820-08-22	12	1/2"	G 1/2	M 22x1,5	36	14	27	0.071

M608



Tappo metrico girevole

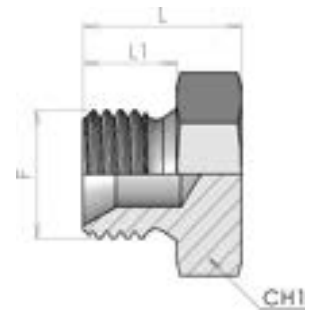
PL

Product number	Thread	Dimension		Weight
	F	L1	CH3	kg/unit
M608-12	M 12x1,5	10.5	17	0.005
M608-14	M 14x1,5	12	19	0.008
M608-16	M 16x1,5	15	22	0.014
M608-18	M 18x1,5	15	24	0.018
M608-20	M 20x1,5	17	27	0.024
M608-22	M 22x1,5	17	27	0.028
M608-26	M 26x1,5	19	32	0.044

M605

Metric Plug

PL

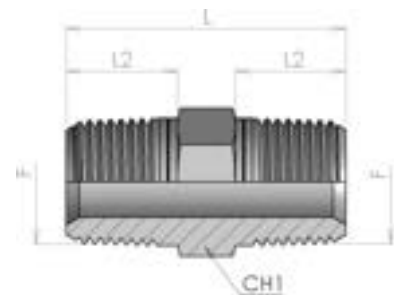


Product number	Thread	Dimension			Weight
	F	L	L1	CH1	kg/unit
M605-10	M 10x1	13	8	14	0.009
M605-12	M 12x1,5	17	10	17	0.0156
M605-14	M 14x1,5	17	10	19	0.023
M605-16	M 16x1,5	18	11	22	0.0303
M605-18	M 18x1,5	19	11	24	0.041
M605-20	M 20x1,5	22	14	27	0.0549
M605-22	M 22x1,5	20	12	27	0.0566
M605-24	M 24x1,5	22	14	30	0.0754
M605-26	M 26x1,5	24	16	32	0.0894

1870

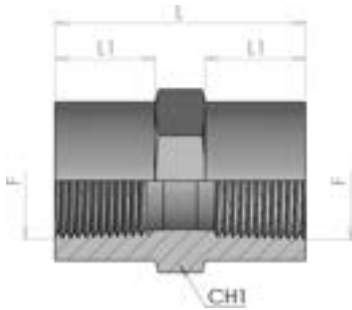
Male stud connector NPTF

S



Product number	Ø tube		Thread	Dimension			Weight
	mm	inch	F	L	L2	CH1	kg/unit
1870-02-02	6	1/4"	1/8 NPTF	27	10	12	0.02
1870-04-04	8	5/16"	1/4 NPTF	35.5	14.5	15	0.033
1870-06-06	10	3/8"	3/8 NPTF	37.5	14.5	19	0.047
1870-08-08	12	1/2"	1/2 NPTF	48	19	22	0.085
1870-12-12	20	3/4"	3/4 NPTF	53	19.5	27	0.144
1870-16-16	25	1"	1 NPTF	63	24	36	0.27
1870-20-20	32	1.1/4"	1 1/4 NPTF	68	24.5	46	0.401
1870-24-24	38	1.1/2"	1 1/2 NPTF	71	25.5	50	0.477
1870-32-32	50	2"	2 NPTF	74.5	26	65	0.898

N105

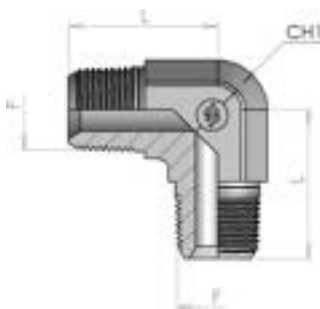


Metric Female Union NPTF

S

Product number	Thread	Dimension			Weight
	F	L	L1	CH1	kg/unit
N105-02-02	1/8 NPTF	19	6.5	16	0.019
N105-04-04	1/4 NPTF	29	11	19	0.045
N105-06-06	3/8 NPTF	29	11	22	0.062
N105-08-08	1/2 NPTF	38	14	30	0.112
N105-12-12	3/4 NPTF	39	14	36	0.156
N105-16-16	1 NPTF	48	17.5	41	0.289
N105-20-20	1 1/4 NPTF	49	17.5	50	0.340
N105-24-24	1 1/2 NPTF	49	17.5	60	0.531

4690



90° Male stud Elbow NPTF

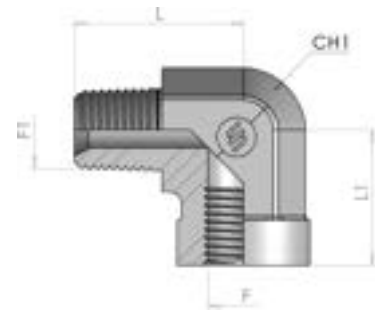
E

Product number	Ø tube		Thread	Dimension		Weight
	mm	inch	F	L	CH1	kg/unit
4690-02	6	1/4"	1/8 NPTF	19.5	12	0.015
4690-04	8	5/16"	1/4 NPTF	27.5	14	0.042
4690-06	10	3/8"	3/8 NPTF	31	19	0.093
4690-08	12	1/2"	1/2 NPTF	36	22	0.142
4690-12	20	3/4"	3/4 NPTF	40.5	27	0.231

4695

90° Female/Male Elbow NPTF

SDE

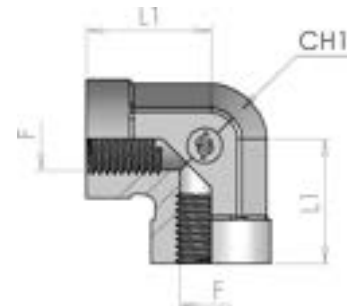


Product number	Ø tube		Thread		Dimension			Weight kg/unit
	mm	inch	F	F1	L	L1	CH1	
4695-02	6	1/4"	1/8 NPTF	1/8 NPTF	23.5	17	14	0.048
4695-04	8	5/16"	1/4 NPTF	1/4 NPTF	29	22.5	19	0.0648
4695-06	10	3/8"	3/8 NPTF	3/8 NPTF	33.5	26	22	0.008
4695-08	12	1/2"	1/2 NPTF	1/2 NPTF	38	31	27	0.1472
4695-12	20	3/4"	3/4 NPTF	3/4 NPTF	45	34.5	33	0.2104
4695-16	25	1"	1 NPTF	1 NPTF	55	41	41	0.4016
4695-20	32	1.1/4"	1 1/4 NPTF	1 1/4 NPTF	63	43	50	0.655

4580

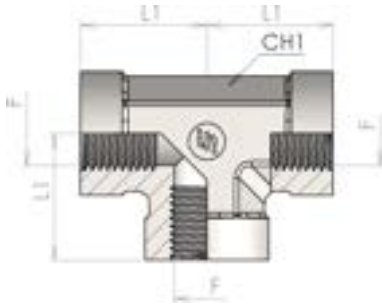
90° Female Union Elbow NPTF

E



Product number	Ø tube		Thread	Dimension		Weight kg/unit
	mm	inch	F	L1	CH1	
4580-02	6	1/4"	1/8 NPTF	17	14	0.06
4580-04	8	5/16"	1/4 NPTF	22.5	19	0.081
4580-06	10	3/8"	3/8 NPTF	26	22	0.01
4580-08	12	1/2"	1/2 NPTF	31	27	0.184
4580-12	20	3/4"	3/4 NPTF	34.5	33	0.263
4580-16	25	1"	1 NPTF	41	41	0.502
4580-20	32	1.1/4"	1 1/4 NPTF	43	50	0.663

4830

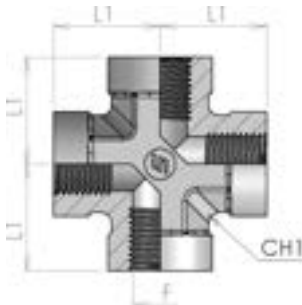


Female Union Tee NPTF

T

Product number	Ø tube		Thread	Dimension		Weight
	mm	inch	F	L1	CH1	kg/unit
4830-02	6	1/4"	1/8 NPTF	17	14	0.08
4830-04	8	5/16"	1/4 NPTF	22.5	19	0.108
4830-06	10	3/8"	3/8 NPTF	26	22	0.0133
4830-08	12	1/2"	1/2 NPTF	31	27	0.2453
4830-12	20	3/4"	3/4 NPTF	34.5	33	0.3507
4830-16	25	1"	1 NPTF	41	41	0.6693
4830-20	32	1.1/4"	1.1/4 NPTF	43	50	0.884

4920



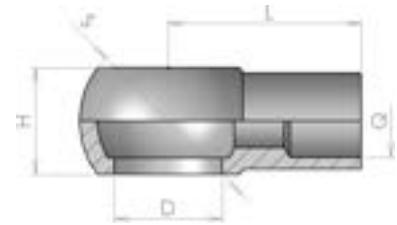
Female Union Cross NPTF

K

Product number	Ø tube		Thread	Dimension		Weight
	mm	inch	F	L1	CH1	kg/unit
4920-02	6	1/4"	1/8 NPTF	17	14	0.1
4920-04	8	5/16"	1/4 NPTF	22.5	19	0.135
4920-06	10	3/8"	3/8 NPTF	26	22	0.0167
4920-08	12	1/2"	1/2 NPTF	31	27	0.3067

1500

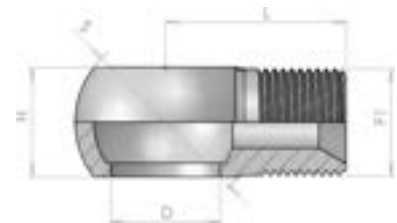
Weldable Metric Banjo Eye



Product number	Dimension					Weight
	S	H	Q	D	L	kg/unit
1500-08-05	14	8	5	8	15	0.006
1500-10-06	17	10.5	6	10.5	19	0.009
1500-12-08	20	12	8	12	22	0.015
1500-14-10	24	14	10	14	24	0.021
1500-16-10	28	18	10	16	28	0.038
1500-16-12	28	17	12	16	28	0.036
1500-18-12	32	20	12	18	30	0.055
1500-18-14	32	18	14	18	29	0.056
1500-22-16	35	22	16	22	34	0.057
1500-22-18	35	22	18	22	32	0.054
1500-26-22	45	29	22	26	40	0.111

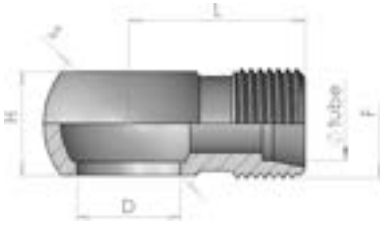
1570

Metric threaded Banjo Eye



Product number	Thread	Dimension				Weight
	F1	S	H	D	L	kg/unit
1570-14-14	M 14x1,5	24	14	14	25	0.027
1570-18-18	M 18x1,5	32	20	18	30	0.067
1570-22-22	M 22x1,5	35	22.5	22	32	0.081

1580



Metric threaded Banjo Eye 24° Cone

Product number	Thread	Dimension				Weight	Ø tube
	F	S	H	D	L	kg/unit	mm
1580-06-18	M 18x1,5	28	17	G 3/8	29	0.044	12
1580-08-18	M 18x1,5	36	22	G 1/2	33.5	0.086	12
1580-08-22	M 22x1,5	36	22	G 1/2	32.5	0.091	15

Indice Analitico

1700	7	3520	53
1800	8	3920	54
R605	9	3420	55
2000	10	3620	56
2010	11	3625	57
2020	12	1550	58
A108	12	1560	58
A107	13	1450	59
4520	13	1860	59
4530	14	4626	60
4730	14	4625	60
4900	15	6010	66
4910	15	6015	67
4700	16	6000	68
4710	16	6300	69
4800	17	6350	69
4810	17	6550	70
4720	18	6120	70
2350	19	6036	71
4500	20	6805	72
4510	20	6215	73
3220	21	6260	74
3320	21	6460	75
2550	22	6410	76
2650	22	6860	77
2450	23	6890	77
4550	23	6850	78
2750	24	6060	78
2850	24	6056	79
4570	25	6205	80
4820	25	6255	80
A105	26	6620	81
A608	27	6630	81
A604	28	6050	82
A605	29	6510	82
MG	30	0107	83
220C	31	6150	83
2200	31	6100	84
1865	32	6200	85
2360	33	6250	86
4860	34	6400	86
4620	34	6450	87
4630	35	6800	88
4600	35	6840	89
4610	36	6905	90
1875	37	6900	91
2365	38	6320	92
4870	39	6270	93
4670	39	6420	94
4680	40	6870	95
4650	40	6880	96
1700E	41	6470	96
3900	42	6830	97
3255	43	6230	98
3950	44	6600	98
3600	45	6610	99
3605	46	MO	100
1805	47	5000	106
3510	48	5010	107
3910	49	1900	108
3410	50	5100	109
3610	51	5120	109
3615	52	5900	110

Indice Analitico

5050	110	7435	172
5036	111	7450_BT	173
5035	112	7450_M	173
5037	113	7450_NP	174
5038	114	7460_BS	175
5045	115	7460_M	176
5056	116	7460_NP	177
5060	117	7500	178
5070	117	7510	179
5080	118	7510	180
5090	118	7520	181
5110	119	7000	182
5130	119	7010	183
J107	120	7020	184
1906	121	7130	185
5140	122	M107	186
5150	123	7360_BS	187
5160	124	7360_M	188
5170	125	7370_L	189
5180	126	7370_L	190
1907	127	7370_S	191
5190	128	7370_S	192
5200	129	7380	193
5210	129	7330	194
5220	130	7335	195
5805	131	7350	196
1915	132	7340	197
1905	133	7600_M	198
5185	134	7600_BS	199
5230	135	7600_UN	200
5235	136	7605	201
5240	137	7630	202
5250	138	7635	203
1910	139	7610_BS	204
5440	140	7610_UN	205
5450	141	7615	206
5455	142	7620_BS	207
1775	143	7620_UN	208
1777	144	7625	209
5400	145	7240	210
5410	146	7240	211
5420	147	7250_BS	212
5425	148	7250_M	213
1903	149	7030	214
5165	150	7035	215
5265	151	7260_BS	216
5275	152	7260_M	217
5280	153	7270	218
5040	153	7290	219
J605	154	7420	220
J608	155	7120	221
MJ	155	7280	222
7400	161	1750	226
7410	162	1770	226
7430_BS	163	M105	227
7430_BS	164	1810	227
7430_M	165	1820	228
7430_J	166	M608	228
7430_UN	167	M605	229
7440_BS	168	1870	229
7440_BS	169	N105	230
7440_M	170	4690	230
7435	171	4695	231

Indice Analitico

4580	231
4830	232
4920	232
1500	233
1570	233
1580	234

Indice Sezioni

Adattatori BSP - A

Unione diritto maschio BSP (ISO 8434-6)	7
Riduzione diritto maschio BSP (ISO 8434-6)	8
Riduzione Maschio-Femmina corta (ISO 8434-6)	9
Colonna Maschio-Femmina (ISO 8434-6)	10
Riduzione Maschio-Femmina (ISO 8434-6)	11
Prolunga unione diritto maschio BSP (ISO 8434-6)	12
Passaparete dritto BSP (ISO 8434-6)	12
Controdado per passaparete	13
Unione a 90° maschio BSP (ISO 8434-6)	13
Unione a 45° maschio BSP (ISO 8434-6)	14
Unione a T maschio BSP (ISO 8434-6)	14
Unione a croce maschio BSP (ISO 8434-6)	15
Unione a croce femmina BSP	15
Girevole a T laterale F/M BSP (8434-6)	16
Girevole a T centrale F/M BSP (8434-6)	16
Girevole a T con maschio laterale F/M BSP (8434-6)	17
Girevole a T con maschio centrale F/M BSP (8434-6)	17
Unione a T girevole BSP (ISO 8434-6)	18
Terminale dritto di riduzione F/M BSP (ISO 8434-6)	19
Girevole a 90° F/M BSP (ISO 8434-6)	20
Girevole a 45° F/M BSP (ISO 8434-6)	20
Girevole a 90° F/M BSP versione compatta (ISO 8434-6)	21
Girevole a 45° F/M BSP versione compatta (ISO 8434-6)	21
Curva 90° mas/femm. Girevole (saldata)	22
Curva 45° mas/femm. Girevole (saldata)	22
Unione diritto girevole BSP (ISO 8434-6)	23
Unione girevole a 90° BSP (ISO 8434-6)	23
Curva 90° femmina girevole (saldata)	24
Curva 45° femmina girevole (saldata)	24
Unione 90° femmina BSP	25
Unione a T femmina BSP	25
Unione femmina fissa BSP (ISO 8434-6)	26
Tappo Femmina Girevole BSP (ISO 8434-6)	27
Tappo BSP	28
Tappo Maschio BSP (ISO 8434-6)	29
Terminale dritto maschio BSP a saldare con tasca	30
Mezzo nipplo tondo a saldare BSP	31
Borchia a saldare	31
Terminale diritto M/M BSP-BSPT	32
Terminale dritto di riduzione F BSP/M BSPT	33
Terminale a T M BSP/ M BSPT centrale	34
Gomito 90° M BSP/ M BSPT	34
Gomito 45° M BSP/ M BSPT	35
Girevole a 90° F BSP-M BSPT	35
Girevole a 45° F BSP-M BSPT	36
Terminale diritto M/M BSP-NPTF	37
Terminale dritto di riduzione F BSP/M NPTF	38
Terminale a T M BSP/ M NPTF centrale	39
Gomito 90° M BSP/ M NPTF	39
Gomito 45° M BSP/M NPTF	40
Girevole a 90° F BSP-M NPTF	40
Terminale dritto M/M BSP-BSPP (Form E ISO 1179-2)	41
Curva Orientabile 90° M/M BSP BSP (ISO 1179)	42
Curva Orientabile 90° M/F BSP Girevole BSP (ISO 1179)	43
Curva Orientabile 45° M/M BSP BSP (ISO 1179)	44
Terminale a T Orientabile laterale M/M BSP-BSP (ISO 1179)	45
Terminale a T Orientabile centrale M/M BSP-BSP (ISO 1179)	46
Unione diritto M/M BSP/Metrico	47
Terminale dritto M/M BSP/Metrico con O-ring e anellino	48
Curva Orientabile 90° M/M BSP Metrico con o-ring e anello	49
Curva Orientabile 45° M/M BSP Metrico con o-ring e anello	50
Terminale a T Orientabile laterale M/M BSP-Metrico con o-ring e anello	51

1 Terminale a T Orientabile centrale M/M BSP-Metrico con o-ring e anello	52
8 Unione diritto M/M BSP/UNF (ISO 11926)	53
9 Curva Orientabile 90° M/M BSP UNF (ISO 11926)	54
10 Curva Orientabile 45° M/M BSP UNF (ISO 11926)	55
11 Terminale a T Orientabile laterale M/M BSP- UNF (ISO 11926)	56
12 Terminale a T Orientabile centrale M/M BSP- UNF (ISO 11926)	57
12 Occhio filettato gas	58
13 Occhio filettato gas con battuta	58
13 Occhio a saldare gas	59
14 Unione diritto maschio BSPT	59
14 Unione a 90° maschio BSPT	60
15 Unione a 90° M BSPT F BSPP	60
15 Adattatori ORFS - B	61
16 Dado ORFS (ISO 8434-3)	66
16 Bussola per tubo metrico	67
17 Unione diritto maschio ORFS (ISO 8434-3)	68
17 Unione a 90° maschio ORFS (ISO 8434-3)	69
18 Unione a T maschio ORFS (ISO 8434-3)	69
19 Unione a croce maschio ORFS (ISO 8434-3)	70
20 Terminale dritto F/M ORFS-UNF (ISO 11926)	70
20 Terminale dritto F/M ORFS-BSP (Form E ISO 1179-2)	71
21 Terminale dritto M/M ORFS-BSPP (Form E ISO 1179-2)	72
21 Curva Orientabile 90° M/M ORFS-BSP (ISO 1179)	73
22 Curva Orientabile 45° M/M ORFS-BSP (ISO 1179)	74
22 Terminale a T orientabile laterale M/M ORFS-BSP (ISO 1179)	75
23 Terminale a T orientabile centrale M/M ORFS-BSP (ISO 1179)	76
23 Curva Orientabile 45° M/M ORFS-METRICO (ISO 6149)	77
24 Terminale a T orientabile centrale M/M ORFS-METRICO (ISO 6149)	77
24 Terminale dritto F/M ORFS-METRICO (ISO 6149)	78
25 Unione diritto girevole ORFS (ISO 8434-3)	78
25 Terminale dritto di riduzione F/M ORFS (ISO 8434-3)	79
26 Girevole a 90° F/M ORFS (ISO 8434-3)	80
27 Girevole a 45° F/M ORFS (ISO 8434-3)	80
28 Girevole a T laterale F/M ORFS (ISO 8434-3)	81
29 Girevole a T centrale F/M ORFS (ISO 8434-3)	81
30 Passaparete dritto ORFS (ISO 8434-3)	82
31 Passaparete a 90° ORFS (ISO 8434-3)	82
31 Controdado per passaparete	83
32 Passaparete dritto ORFS/UNF (ISO 11926)	83
33 Terminale dritto M/M ORFS-UNF (ISO 11926)	84
34 Curva Orientabile 90° M/M ORFS-UNF (ISO 11926)	85
34 Curva Orientabile 45° M/M ORFS-UNF (ISO 11926)	86
35 Terminale a T orientabile centrale M/M ORFS-UNF (ISO 11926)	86
35 Terminale a T orientabile laterale M/M ORFS-UNF (ISO 11926)	87
36 Terminale dritto M/M ORFS-BSPP (ISO 1179)	88
37 Terminale dritto M/M ORFS-METRICO (ISO 6149)	89
38 Terminale dritto M/M ORFS-METRICO (Form E ISO 9974-2)	90
39 Terminale dritto M/M ORFS-METRICO con o-ring ed anello	91
39 Curva Orientabile 90° M/M ORFS-METRICO con o-ring ed anello	92
40 Curva Orientabile 45° M/M ORFS-METRICO con o-ring ed anello	93
40 Terminale a T orientabile centrale M/M ORFS-METRICO con o-ring ed anello	94
42 Curva Orientabile 90° M/M ORFS-METRICO (ISO 6149)	95
43 Terminale a T orientabile laterale M/M ORFS-METRICO (ISO 6149)	96
44 Terminale a T orientabile laterale M/M ORFS-METRICO con o-ring ed anello	96
46 Terminale dritto M/M ORFS-NPTF	97
47 Terminale a 90° M/M ORFS-NPTF	98
48 Tappo maschio ORFS (ISO 8434-3)	98
49 Tappo femmina girevole ORFS (ISO 8434-3)	99
50 Terminale dritto maschio ORFS a saldare con tasca (ISO 8434-3)	100
Adattatori JIC - C	101

Dado (ISO 8434-2)	106
Bussola per tubo metrico (ISO 8434-2)	107
Unione diritto maschio JIC (ISO 8434-2)	108

Indice Sezioni

Unione a 90° maschio JIC (ISO 8434-2)	109	Terminale diritto Filettatura: Metrica (Form F ISO 6149-2/3)	166
Unione a T maschio JIC (ISO 8434-2)	109	Terminale diritto Filettatura: UNF (ISO 11926-2/3)	167
Unione a croce maschio JIC (ISO 8434-2)	110	Terminale diritto Filettatura: BSPP (Form E ISO 1179-2)	168
Terminale dritto F/M JIC-UNF (ISO 11926)	110	Terminale diritto Filettatura: BSPP (Form E ISO 1179-2)	169
Terminale dritto F/M JIC-BSP (Form E ISO 1179-2)	111	Terminale diritto Filettatura: Metrica (Form E ISO 9974-2) SDS	170
Terminale dritto F/M JIC-BSP (ISO 1179)	112	Terminale diritto Filettatura: BSPP (ISO 8434-6)	171
Terminale dritto F/M JIC-METRICO (Form E ISO 9974-2)	113	Terminale diritto Filettatura: BSPP (ISO 8434-6)	172
Terminale dritto F/M JIC-METRICO (ISO 6149)	114	Terminale diritto Filettatura: BSPT conica (Form C DIN 3852-2) SDS	173
Unione diritto girevole JIC (ISO 8434-2)	115	Terminale diritto Filettatura: Metrica conica (Form C DIN 3852-1) SDS	173
Terminale dritto di riduzione F/M JIC	116	Terminale diritto per tubo 24° Filettatura: NPTF conica SDS	174
Girevole a 90° F/M JIC (ISO 8434-2)	117	Terminale a 90° Filettatura: BSPT conica (Form C DIN 3852-2) SDE	175
Girevole a 45° F/M JIC (ISO 8434-2)	117	Terminale a 90° Filettatura: Metrica conica (Form C DIN 3852-1) SDE	176
Girevole a T laterale F/M JIC (ISO 8434-2)	118	Terminale a 90° Filettatura: NPTF conica SDE	177
Girevole a T centrale F/M JIC (ISO 8434-2)	118	Unione diritto (ISO 8434-1) S	178
Passaparete dritto JIC (ISO 8434-2)	119	Unione diritto di riduzione (ISO 8434-1)	179
Passaparete a 90° JIC (ISO 8434-2)	119	Unione diritto di riduzione (ISO 8434-1)	180
Controdado per passaparete	120	Unione a 90° (ISO 8434-1) E	181
Terminale dritto M/M JIC-NPTF	121	Unione a T (ISO 8434-1) T	182
Terminale a 90° M/M JIC-NPTF	122	Unione a croce (ISO 8434-1) K	183
Terminale a 45° M/M JIC-NPTF	123	Passaparete Diritto (ISO 8434-1) BHSLN	184
Terminale a T laterale M/M JIC-NPTF	124	Passaparete a 90° (ISO 8434-1) BHELN	185
Terminale a T centrale M/M JIC-NPTF	125	Controdado per passaparete	186
Terminale dritto M/F fissa JIC-NPTF	126	Raccordo diritto Filettatura: BSPP (Form E ISO 1179-2)	187
Terminale dritto M/M JIC-UNF (ISO 11926)	127	Raccordo diritto Filettatura: Metrica (Form E ISO 9974-2) SWOSDS	188
Curva Orientabile 90° M/M JIC-UNF (ISO 11926)	128	Raccordo di riduzione - (serie L) RDSW	189
Curva Orientabile 45° M/M JIC-UNF (ISO 11926)	129	Raccordo di riduzione - (serie L) RDSW	190
Terminale a T orientabile laterale M/M JIC-UNF (ISO 11926)	129	Raccordo di riduzione - (serie S) RDSW	191
Terminale a T orientabile centrale M/M JIC-UNF (ISO 11926)	130	Raccordo di riduzione - (serie S) RDSW	192
Terminale dritto M/M JIC-BSPP (Form E ISO 1179-2)	131	Raccordo intermedio diritto SW20S	193
Terminale dritto M/M JIC-BSPP (ISO 1179)	132	Raccordo Girevole a 90° (ISO 8434-1) SWOE	194
Terminale dritto M/M JIC-BSPP	133	Raccordo Girevole a 45° (ISO 8434-1) SWOE45	195
Terminale dritto M/F fissa JIC-BSP	134	Raccordo Girevole Laterale a T per tubo 24° (ISO 8434-1)	196
Curva Orientabile 90° M/M JIC-BSP (ISO 1179)	135	Raccordo Girevole Centrale a T (ISO 8434-1) SWOBT	197
Curva Orientabile 45° M/M JIC-BSP (ISO 1179)	136	Terminale a 90° Orientabile Metrico con o-ring ed anello	198
Terminale a T orientabile laterale M/M JIC-BSP (ISO 1179)	137	Terminale a 90° Orientabile BSPP con o-ring ed anello (ISO 1179)	199
Terminale a T orientabile centrale M/M JIC-BSP (ISO 1179)	138	Terminale a 90° Orientabile UNF con o-ring (ISO 11926)	200
Terminale dritto M/M JIC-METRICO (ISO 6149)	139	Terminale a 90° Orientabile Metrico con o-ring (ISO 6149)	201
Curva Orientabile 45° M/M JIC-METRICO (ISO 6149)	140	Terminale a 45° Orientabile BSPP con o-ring ed anello (ISO 1179)	202
Terminale a T orientabile laterale M/M JIC-METRICO (ISO 6149)	141	Terminale a 45° Orientabile Metrico con o-ring (ISO 6149)	203
Terminale a T orientabile centrale M/M JIC-METRICO (ISO 6149)	142	Terminale a T Orientabile Laterale BSPP con o-ring ed anello (ISO 1179)	204
Terminale dritto M/M JIC-METRICO (Form E ISO 9974-2)	143	Terminale a T Orientabile Laterale UNF con o-ring (ISO 11926)	205
Terminale dritto M/M JIC-METRICO con o-ring ed anello	144	Terminale a T Orientabile Laterale Metrico con o-ring (ISO 6149)	206
Curva Orientabile 90° M/M JIC-METRICO con o-ring ed anello	145	Terminale a T Orientabile Centrale BSPP con o-ring ed anello (ISO 1179)	207
Curva Orientabile 45° M/M JIC-METRICO con o-ring e anello	146	Terminale a T Orientabile Centrale UNF con o-ring (ISO 11926)	208
Terminale a T orientabile laterale M/M JIC-METRICO con o-ring ed anello	147	Terminale a T Orientabile Centrale Metrico con o-ring (ISO 6149)	209
Terminale a T orientabile centrale M/M JIC-METRICO con o-ring ed anello	148	Riduzione Maschio-Femmina Form E (Form E ISO 1179- 2)	210
Giunzione M/M Jic/Gas Conico	149	Riduzione Maschio-Femmina Form E (Form E ISO 1179- 2)	211
Terminale a 90° M/M JIC-BSPT	150	Terminale diritto femmina Filettatura: BSPP S	212
Terminale a 45° M/M JIC-BSPT	151	Terminale diritto femmina Filettatura: Metrica S	213
Terminale a T laterale M/M JIC-BSPT	152	Terminale Portamanometro (ISO 8434-1) SGC	214
Terminale a T centrale M/M JIC-BSPT	153	Terminale Portamanometro girevole (ISO 8434-1) SWOGC	215
Tappo maschio SAE (ISO 11926-1)	153	Tappo con esagono incassato Filettatura: BSPP (Form E ISO 1179-2)	216
Tappo maschio JIC (ISO 8434-2)	154	PLE	
Tappo femmina JIC (ISO 8434-2)	155	Tappo con esagono incassato Filettatura: Metrica (Form E ISO 9974-2)	217
Terminale dritto maschio JIC a saldare con tasca (ISO 8434-2)	155	PLE	
Adattatori DIN 2353 - D	156	Tappo Maschio (ISO 8434-1) PL	218
Dadi per Raccordi 24° (ISO 8434-1) N	161	Tappo con O-ring (ISO 8434-1) PL	219
Anellino tagliante (ISO 8434-1) CR	162	Terminale diritto a saldare (ISO 8434-1)	220
Terminale diritto Filettatura: BSPP (Form B ISO 1179-4) SDS	163	Terminale Passaparete a saldare (ISO 8434-1) WDBHS	221
Terminale diritto Filettatura: BSPP (Form B ISO 1179-4) SDS	164	Niplo a saldare con tenuta ad O-Ring WDNP	222
Terminale diritto Filettatura: Metrica (Form B ISO 9974-3) SDS	165	Adattatori NPTF-METRICO - E	223
		Unione diritto maschio Metrico cono 60°	226
		Riduzione diritto maschio Metrico cono 60°	226

Unione diritto femmina metrica	227
Colonna Maschio Metrico-Femmina BSP	227
Colonna Maschio BSP-Femmina Metrica	228
Tappo metrico girevole	228

Indice Sezioni

Tappo metrico	229
Unione diritto maschio NPTF	229
Adattatore diritto femmina NPTF	230
Unione a 90° NPTF	230
Gomito 90° M NPTF/ Femmina NPTF	231
Unione 90° femmina NPTF	231
Unione a T femmina NPTF	232
Unione a croce femmina NPTF	232
Occhio metrico a saldare	233
Occhio filettato metrico	233
Occhio filettato metrico cono 24°	234



INTERPUMP

FLUID SOLUTIONS 

Powered by I.M.M. Hydraulics



I.M.M. Hydraulics Spa
interpumpfluidsolutions.com

Via Italia, 49-51
66041 - Atessa (Ch) - Italy
T. +39 (0) 0872 889225
F. +39 (0) 0872 889226

